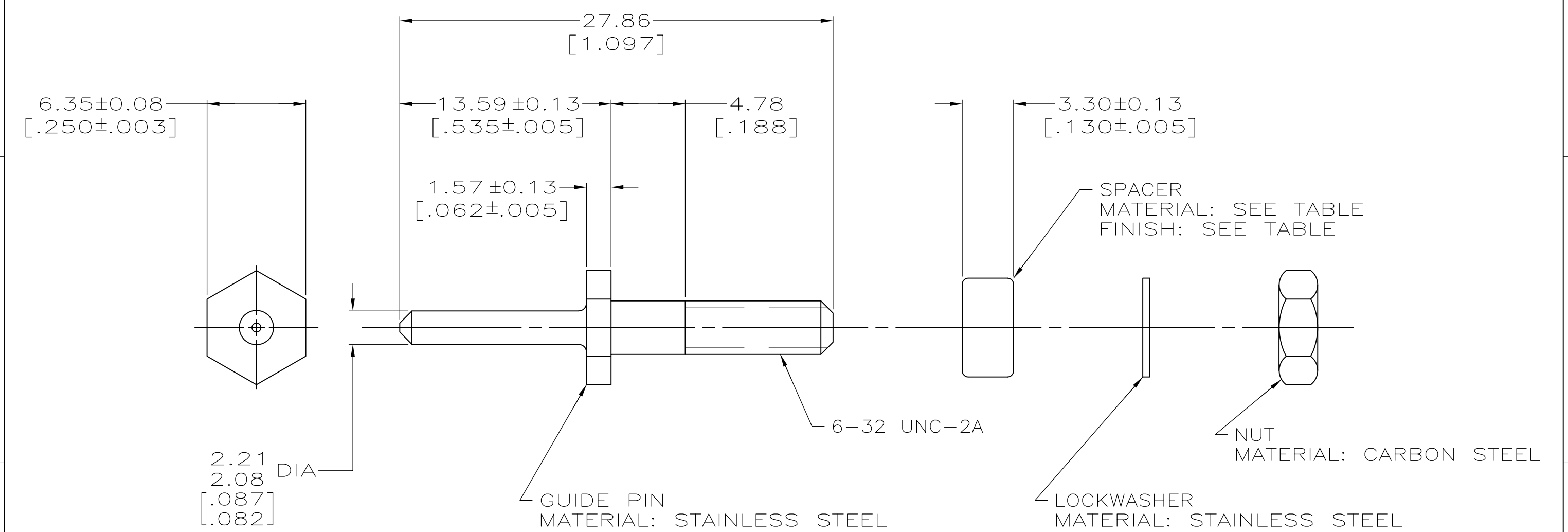


THIS DRAWING IS UNPUBLISHED. RELEASED FOR PUBLICATION  
 © COPYRIGHT BY TYCO ELECTRONICS CORPORATION. ALL RIGHTS RESERVED.

|           |           |                           |         |            |
|-----------|-----------|---------------------------|---------|------------|
| LOC<br>FT | DIST<br>0 | REVISIONS                 |         |            |
| P         | LTR       | DESCRIPTION               | DATE    | DWN        |
|           | T         | REVISED PER ECO-10-021995 | 12JAN11 | HMR        |
|           |           |                           |         | APVD<br>MG |



|        |                 |          |             |
|--------|-----------------|----------|-------------|
| 1      | STAINLESS STEEL | YES      | 202173-8    |
| -      | -               | NO       | 202173-7    |
| 2      | BRASS           | YES      | 202173-6    |
| 1      | STAINLESS STEEL | YES      | 202173-5    |
| -      | -               | NO       | 202173-1    |
| FINISH |                 | MATERIAL |             |
| SPACER |                 |          | PART NUMBER |

SUPERSEDED BY 202173-8  
 SUPERSEDED BY 202173-7

- 1 PASSIVATED.
- 2 2.54um [.000100] MIN ZINC WITH HEXAVALENT CHROMIUM.

|   |  |                                   |   |                        |
|---|--|-----------------------------------|---|------------------------|
| THIS DRAWING IS A CONTROLLED DOCUMENT.  |  | DWN<br>C.DORWART<br>30 AUG 95     | Tyco Electronics Corporation<br>Harrisburg, Pa 17105-3608 |                        |
| DIMENSIONS:<br>mm [INCHES]  |  | CHK<br>R.STONE<br>31 AUG 95       | NAME<br>GUIDE PIN KIT,<br>UNASSEMBLED, M SERIES           |                        |
| TOLERANCES UNLESS OTHERWISE SPECIFIED:<br>0 PLC ± -<br>1 PLC ± -<br>2 PLC ± 0.38 [.015]<br>3 PLC ± -<br>4 PLC ± -<br>ANGLES ± - |  | APVD<br>G.STEINHAUER<br>05 OCT 95 | SIZE<br>A3  |                        |
| MATERIAL<br>SEE CALLOUTS  |  | PRODUCT SPEC<br>-                 | CAGE CODE<br>00779  | DRAWING NO<br>C-202173 |
|   |  | APPLICATION SPEC<br>-             | RESTRICTED TO<br>-  |                        |
|   |  | WEIGHT<br>-                       | SCALE<br>4:1  |                        |
|   |  | CUSTOMER DRAWING                  |   | SHEET<br>1 OF 1        |
|   |  |                                   |   | REV<br>T               |

## X-ON Electronics

Largest Supplier of Electrical and Electronic Components

*Click to view similar products for [Rack & Panel Connectors](#) category:*

*Click to view products by [TE Connectivity](#) manufacturer:*

Other Similar products are found below :

[00171410002](#) [00171420202](#) [00171440002](#) [02-014-013-5200-000](#) [613467-000](#) [CTJ112E01E-513](#) [CTJ116E03A-513](#) [66020-2](#) [CW8958-000](#)  
[699886-000](#) [D250-50632](#) [70.400.3240.0](#) [70.955.2453.3](#) [733753-000](#) [F22831-000](#) [780-522-DPX34RG8-02](#) [8660-501](#) [87.060.0053.0](#)  
[900709N001](#) [928358-1](#) [D-659-0061](#) [1-445717-6](#) [1484469-2](#) [1604997-2](#) [MTC100-BF1-P31CS015](#) [MTC100-KT2-0083](#) [MTC100-KT2-0123-](#)  
[003](#) [MTC100-YA1-005](#) [MTCQKT1R2PGCA](#) [MTCR-103-04S](#) [MTCX1X-100-100CS025](#) [1738331-1](#) [1757667-1](#) [1811481-1](#) [1883433-1](#)  
[201046-7](#) [202648-4](#) [205269-1](#) [213364-1](#) [226503-000](#) [937028-164](#) [1663130-2](#) [172305-4](#) [AC-660022-701BP](#) [F36711-000](#) [202355-2](#) [202356-](#)  
[2](#) [G16S-A](#) [G20S-AB](#) [CHA-0017-003](#)