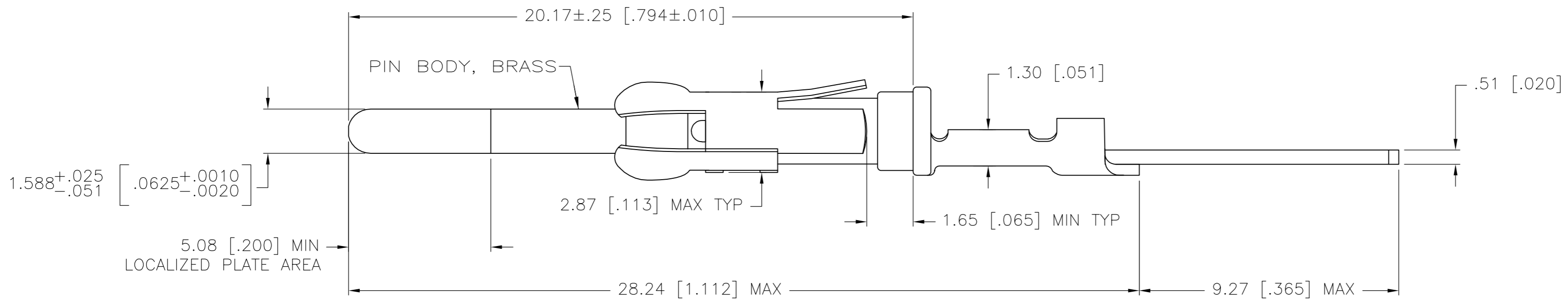
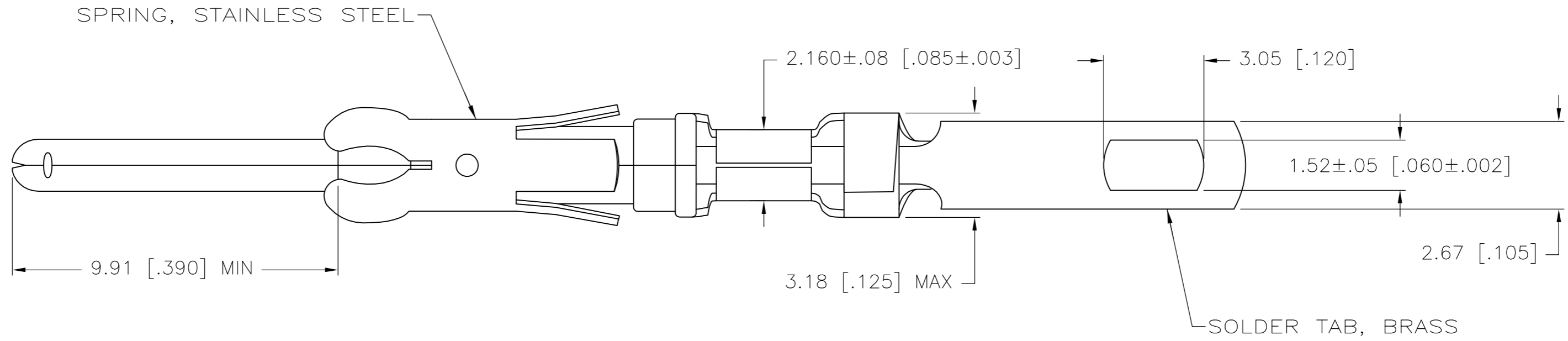


THIS DRAWING IS UNPUBLISHED. RELEASED FOR PUBLICATION
 © COPYRIGHT - ALL RIGHTS RESERVED.

REVISIONS				
P	LTR	DESCRIPTION	DATE	APVD
T2		REVISED PER ECO-16-004223	21JUL2016	NK MZ



- ① 1.27µm [.000050] MIN TIN-LEAD OVER
1.27µm [.000050] MIN NICKEL.
- ② 0.76µm [.000030] MIN GOLD IN LOCALIZED PLATE AREA, 0.25µm [.000010] MIN GOLD ON THE REMAINDER ALL OVER
1.27µm [.000050] MIN NICKEL.
- ③ 2.54µm [.000100] MIN TIN-LEAD OVER
1.27µm [.000050] MIN NICKEL.
- ④ 2.54µm [.000100] MIN TIN OVER
1.27µm [.000050] MIN NICKEL.
- ⑤ 1.27µm [.000050] MIN TIN OVER
1.27µm [.000050] MIN NICKEL.

OBSOLETE	④	SMALL PACK	②	202236-8	
		STANDARD	②	202236-7	
	③	SMALL PACK	⑤	202236-6	
		STANDARD	⑤	202236-5	
		STANDARD	①	202236-4	
		SMALL PACK	②	202236-3	
		STANDARD	①	202236-2	
		STANDARD	②	202236-1	
		FINISH SOLDER TAB	PACKAGING TYPE	FINISH	PART NO

THIS DRAWING IS A CONTROLLED DOCUMENT.		DWN H MOLL 27SEP90	TE TE Connectivity	
DIMENSIONS: mm [INCHES]		CHK J.McCLINTON 15DEC90		
TOLERANCES UNLESS OTHERWISE SPECIFIED:		APVD A. BOULLIANNE 15DEC90	NAME PIN ASSEMBLY, LOOSE PIECE, TYPE III+	
0 PLC ± -		PRODUCT SPEC -	SIZE CAGE CODE DRAWING NO RESTRICTED TO	
1 PLC ± -		APPLICATION SPEC -	A2 00779 C=202236	
2 PLC ± 0.13[.005]		WEIGHT -	SCALE 8:1 SHEET 1 of 1 REV T2	
3 PLC ± -		FINISH PIN BODY:SEE TABLE		
4 PLC ± -				
ANGLES ± -				
MATERIAL SEE CALL OUT		CUSTOMER DRAWING		

X-ON Electronics

Largest Supplier of Electrical and Electronic Components

Click to view similar products for [Standard Circular Contacts](#) category:

Click to view products by [TE Connectivity](#) manufacturer:

Other Similar products are found below :

[RC16M23J](#) [133780-1](#) [RM20M13D28](#) [RMMX110-1D28](#) [ELFH02211](#) [ELVP16100E](#) [164-901-CD](#) [BACS16X1A](#) [EN3545007SCE](#)
[BV002BSQ20049CZ](#) [BV002SSQ160404CZ](#) [1900ND05S1B00B](#) [SJS862201](#) [166566-1](#) [1900ND04S1X00D](#) [ST-JL05-20S-C1-100](#) [ST-JL05-20S-C2-100](#) [T01-CRIMP-S03](#) [APK-SA16A07-002](#) [27963-15T12](#) [CONT-JL05-08S-C2-10](#) [CONT-JL05-12S-C1-10](#) [RC16M-23T](#) [RFD26L-1D28](#) [BV002ASJ16049CW](#) [33505815019](#) [JN1-22-20S-R-PKG100](#) [031-50213](#) [031-50794](#) [ELFH08251](#) [ELFP0641GE](#) [SJS861301M](#) [ST-JL05-16S-C1-100](#) [ST-JL05-20P-C1-100](#) [82911466K](#) [82911467NK](#) [ESLM03200](#) [192991-0087](#) [192900-0570](#) [ELFH07251](#) [M12883/40-07S](#)
[BACS16X3A](#) [T3P16FC3LZ](#) [ZP-4016-10NF](#) [CONT-JL05-12P-C1-10](#) [RM20M12G8D28](#) [031-50676](#) [12115010110](#) [RJFTVC2MG](#) [CAP-DACMDPC2](#)