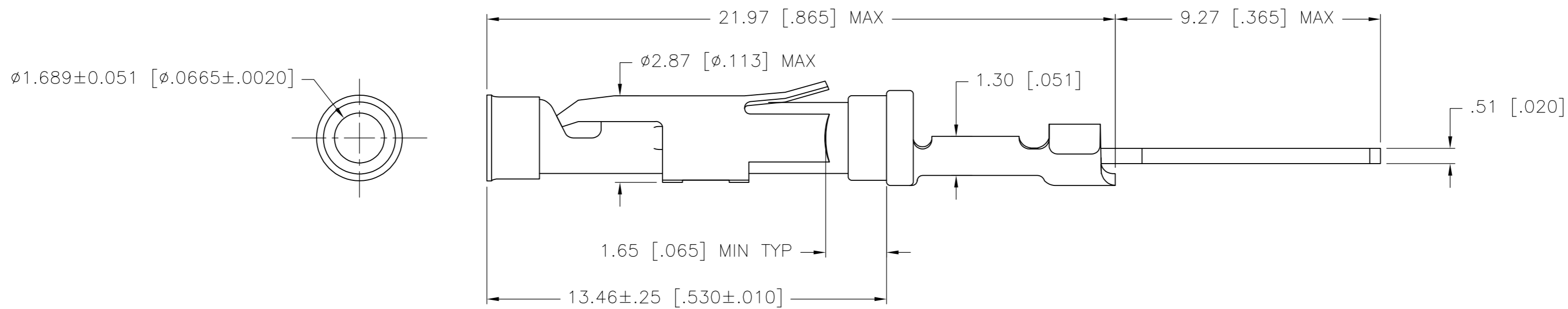
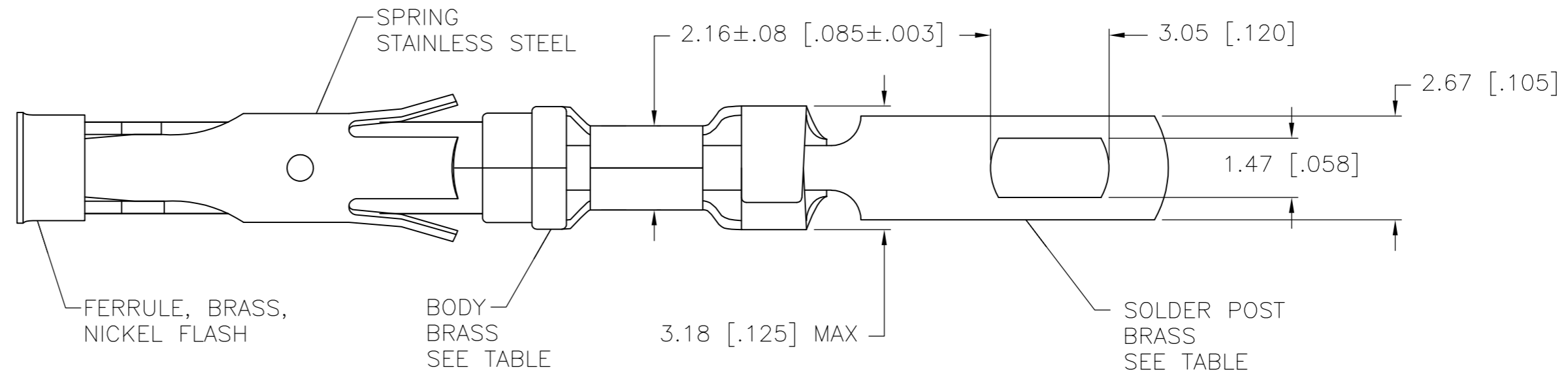


THIS DRAWING IS UNPUBLISHED. RELEASED FOR PUBLICATION
 © COPYRIGHT - By - ALL RIGHTS RESERVED.

REVISIONS				
P	LTR	DESCRIPTION	DATE	APVD
T2		REVISED PER ECO-16-004223	21JUL2016	NK MZ



- 1 0.76 μm [.000030] MIN GOLD PER MIL-G-45204 ON MATING END FOR A LENGTH OF 5.08 [.200] MIN WITH A UNIFORM GRADIENT TO 0.25 μm [.000010] MIN GOLD PER MIL-G-45204 ON THE REMAINDER OVER 0.76 μm [.000030] MIN NICKEL PER QQ-N-290.
- 2 1.27 μm [.000050] MIN TIN-LEAD PER MIL-T-10727 OVER 0.76 μm [.000030] MIN NICKEL PER QQ-N-290.
- 3 2.54 μm [.000100] MIN TIN-LEAD PER MIL-T-10727 OVER 1.27 μm [.000050] MIN NICKEL PER QQ-N-290.
- 4 2.54 μm [.000100] MIN TIN PER MIL-T-10727 OVER 1.27 μm [.000050] MIN NICKEL PER QQ-N-290.
- 5 1.27 μm [.000050] MIN TIN PER MIL-T-10727 OVER 0.76 μm [.000030] MIN NICKEL PER QQ-N-290.

	SMALL PACK	4	1	202237-8
	STANDARD	4	1	202237-7
OBSOLETE	SMALL PACK	4	5	202237-6
	STANDARD	4	5	202237-5
	SMALL PACK	3	2	202237-4
	SMALL PACK	3	1	202237-3
	STANDARD	3	2	202237-2
	STANDARD	3	1	202237-1
	PACKAGING TYPE	SOLDER POST FINISH	BODY FINISH	PART NO

THIS DRAWING IS A CONTROLLED DOCUMENT.

DWN	R.SHIREY	31JUL91
CHK	R.STONE	20SEP91
APVD	J. WESTMAN	20SEP91
PRODUCT SPEC	-	
APPLICATION SPEC	-	
WEIGHT	-	
CUSTOMER DRAWING	-	

TE Connectivity

SOCKET ASSEMBLY, SOLDER POST, TYPE III+

SIZE	A2	CAGE CODE	00779	DRAWING NO	C=202237	RESTRICTED TO	-
SCALE	8:1	SHEET	1 of 1	REV	T2		

X-ON Electronics

Largest Supplier of Electrical and Electronic Components

Click to view similar products for [Standard Circular Contacts](#) category:

Click to view products by [TE Connectivity](#) manufacturer:

Other Similar products are found below :

[RC16M23J](#) [133780-1](#) [RM20M13D28](#) [RM24M9D28](#) [RMMX110-1D28](#) [MS3474W10-6P L/C](#) [ELFH02211](#) [ELVP16100E](#) [164-901-CD](#)
[EN3545007SCE](#) [BV002BSQ20049CZ](#) [BV002SSQ160404CZ](#) [1900ND05S1B00B](#) [166566-1](#) [1900ND04S1X00D](#) [ST-JL05-16S-C3-100](#) [ST-JL05-20S-C1-100](#) [ST-JL05-20S-C2-100](#) [T01-CRIMP-S03](#) [APK-SA16A07-002](#) [27963-15T12](#) [CONT-JL05-08S-C2-10](#) [CONT-JL05-12S-C1-10](#) [RC16M-23T](#) [RFD26L-1D28](#) [BV002ASJ16049CW](#) [JN1-22-20S-R-PKG100](#) [031-50213](#) [031-50565](#) [031-50794](#) [SJS861301M](#) [ST-JL05-16S-C1-100](#) [ST-JL05-20P-C1-100](#) [82911466K](#) [192991-0087](#) [192900-0570](#) [44-100-1414P-1000-101](#) [T3P16FC3LZ](#) [ST-JL05-16S-C2-3500](#)
[ZP-4016-10NF](#) [CONT-JL05-12P-C1-10](#) [RM20M12G8D28](#) [031-50676](#) [12115010110](#) [RJFTVC2MG](#) [CAP-DACMDPC2](#) [031-50675-002](#)
[CAP-DD1FDPC2](#) [CAP-DACMDPC1](#) [031-50966-010](#)