

4

3

2

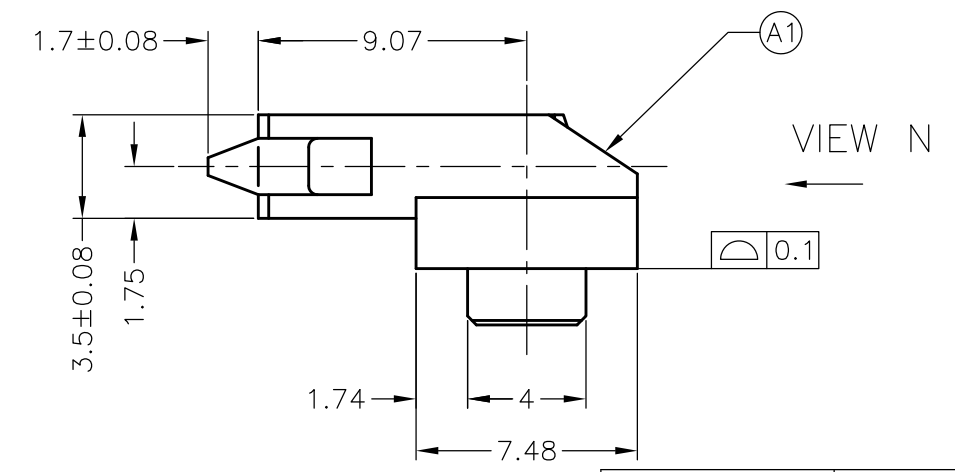
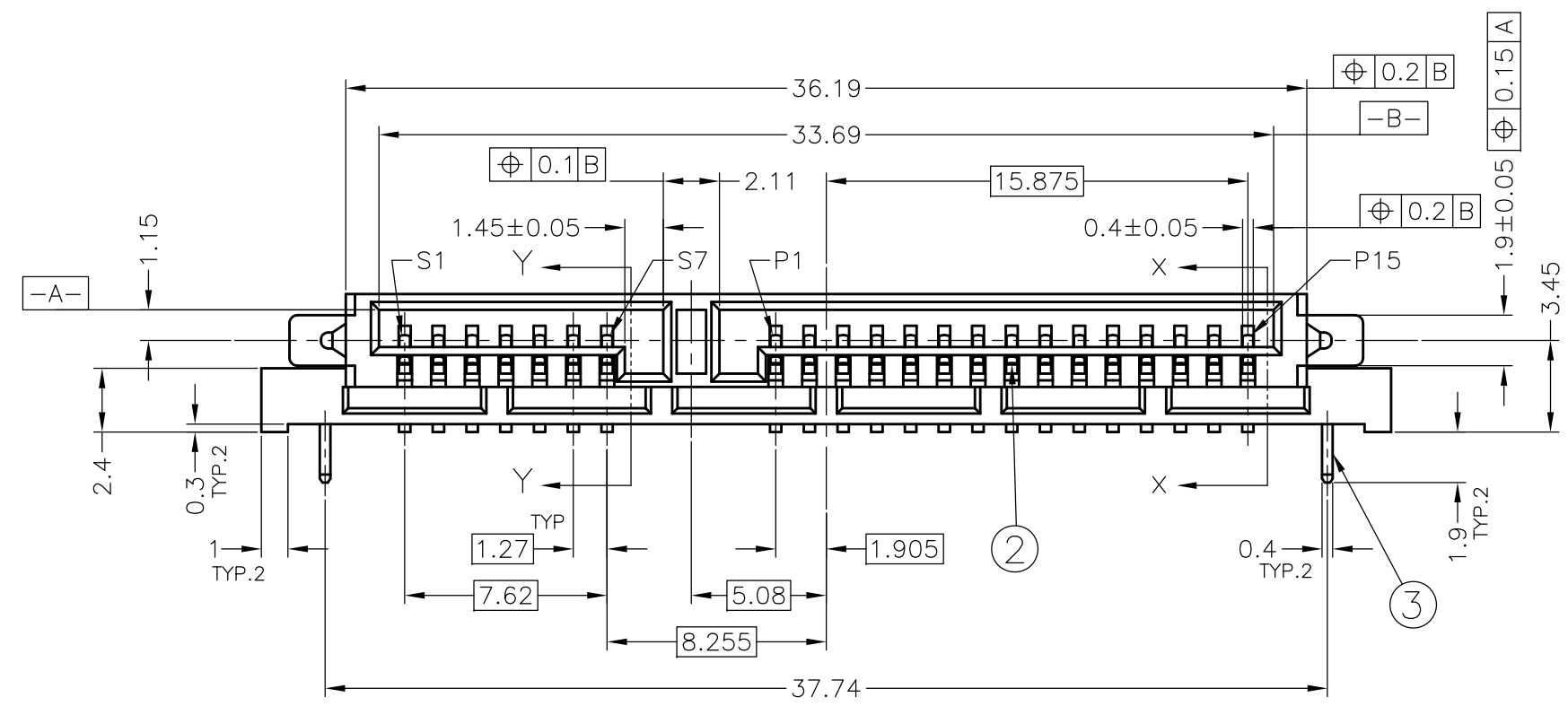
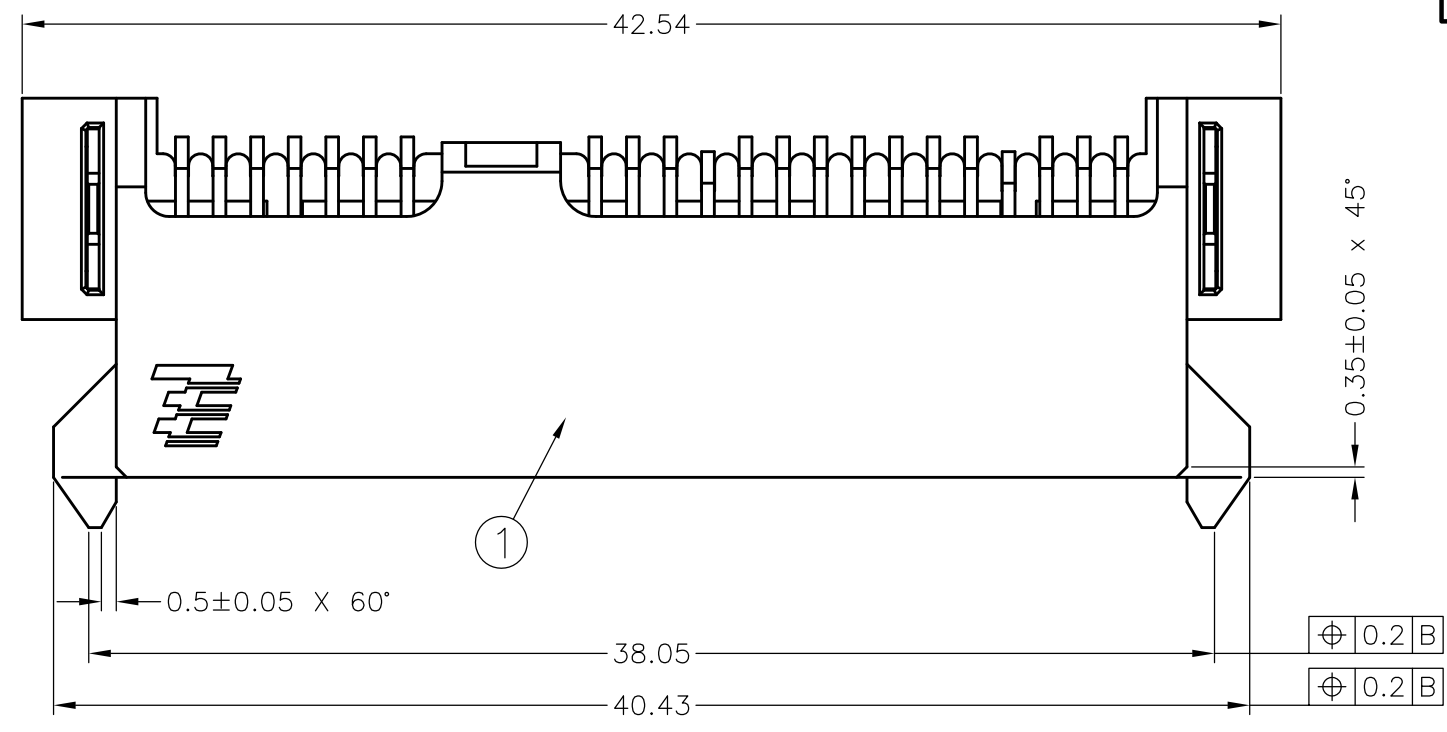
1

THIS DRAWING IS UNPUBLISHED. RELEASED FOR PUBLICATION  
 © COPYRIGHT BY TYCO ELECTRONICS CORPORATION. ALL RIGHTS RESERVED.

LOC	DIST	REVISIONS			
P	LTR	DESCRIPTION	DATE	DWN	APVD
DW		A1	REVISED (ECR-10-004449)	23FEB2010	V.P. H.K

2023246-1~-3: AS SHOWN

1. MATERIAL:  
 ① HOUSING: HIGH TEMPERATURE THERMOPLASTIC  
 UL94V-0, COLOR:BLACK  
 ② CONTACT: COPPER ALLOY  
 ③ SOLDER LEG: COPPER ALLOY
2. FINISH:  
 CONTACT: (SEE TABLE) GOLD PLATED ON CONTACT AREA,  
 2.54μm MIN. MATTE-TIN PLATING ON SOLDER TAILS.  
 1.27μm MIN. NICKEL UNDER PLATING OVER ALL.  
 SOLDER LEG: 2.54μm MIN. MATTE-TIN PLATED  
 1.27μm MIN. NICKET PLATED.



2023246-3	0.76μm
2023246-2	0.30μm
2023246-1	0.05μm
PART NUMBER	CONTACT Au PLATED

THIS DRAWING IS A CONTROLLED DOCUMENT.		DWN	V.PENG	14NOV2008	Tyco Electronics Corporation Taipei, Taiwan
DIMENSIONS: mm		CHK	H.KODAMA	14NOV2008	
TOLERANCES UNLESS OTHERWISE SPECIFIED:		APVD	H.KODAMA	14NOV2008	NAME SATA RECEPTACLE R/A SMT TYPE, 3.45MM
8 PLC ± 1 PLC ± ±0.25 2 PLC ± ±3° 3 PLC ± ± 4 PLC ± ± ANGLES ± ±		PRODUCT SPEC	108-99017		
MATERIAL		APPLICATION SPEC			SIZE
FINISH		WEIGHT	2.1 gm		CAGE CODE
		CUSTOMER DRAWING			DRAWING NO
			A3 00779		RESTRICTED TO
			G-2023246		
		SCALE	4:1		SHEET
			1 OF 4		REV
			A1		

4

3

2

1

THIS DRAWING IS UNPUBLISHED.

RELEASED FOR PUBLICATION

---

©

COPYRIGHT BY TYCO ELECTRONICS CORPORATION.

ALL RIGHTS RESERVED.

LOC

DIST

REVISIONS

P

LTR

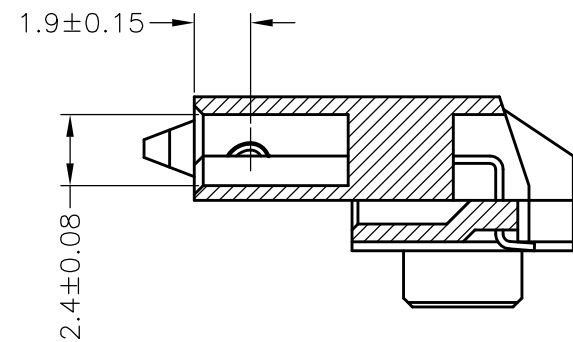
DESCRIPTION

DATE

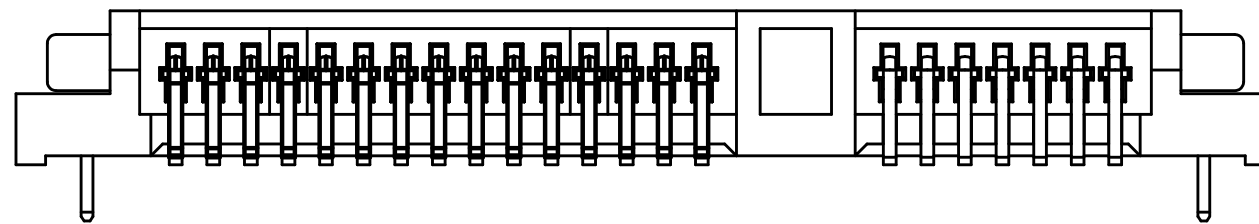
DWN

APVD

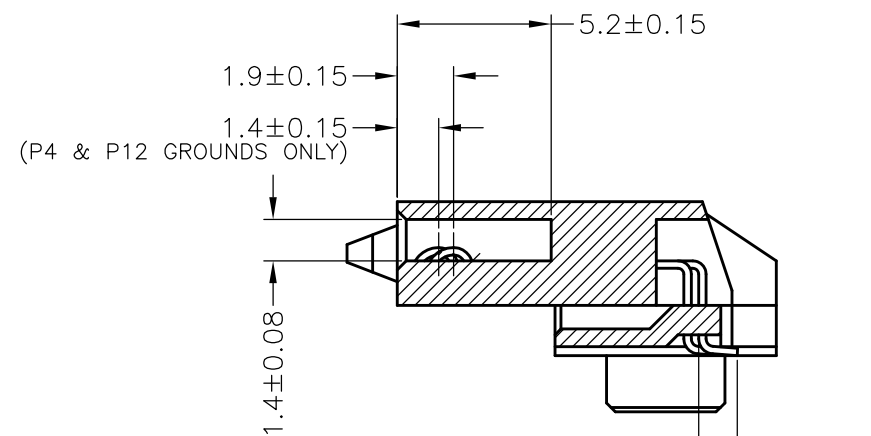
SEE SHEET 1



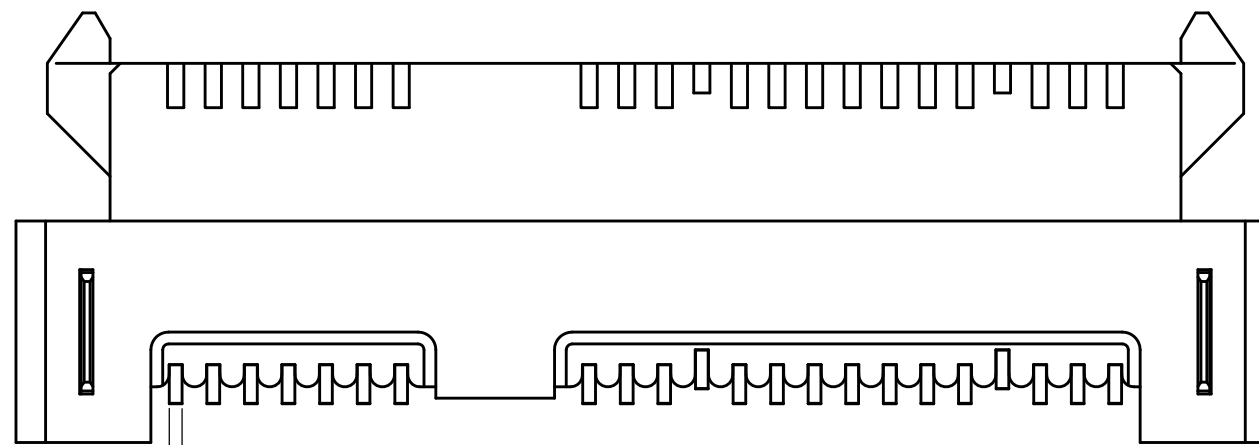
Y-Y



VIEW N



X-X



VIEW M

THIS DRAWING IS A CONTROLLED DOCUMENT.

DWN

CHK

APVD

PRODUCT SPEC

APPLICATION SPEC

WEIGHT

CUSTOMER DRAWING



Tyco Electronics Corporation  
Taipei, Taiwan

NAME

SATA RECEPTACLE  
R/A SMT TYPE, 3.45MM

SIZE

CAGE CODE

DRAWING NO

RESTRICTED TO

A3 00779 C-2023246

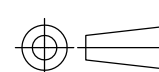
SCALE 4:1

SHEET 2 OF 4

REV A1

DIMENSIONS:

mm



TOLERANCES UNLESS OTHERWISE SPECIFIED:

- 8 PLC ±
- 1 PLC ± ±0.25
- 2 PLC ± ±3°
- 3 PLC ±
- 4 PLC ±
- ANGLES ±

MATERIAL

FINISH

4

3

2

1

THIS DRAWING IS UNPUBLISHED.

RELEASED FOR PUBLICATION

-, -

© COPYRIGHT BY TYCO ELECTRONICS CORPORATION. ALL RIGHTS RESERVED.

LOC

DIST

REVISIONS

DW

P

LTR

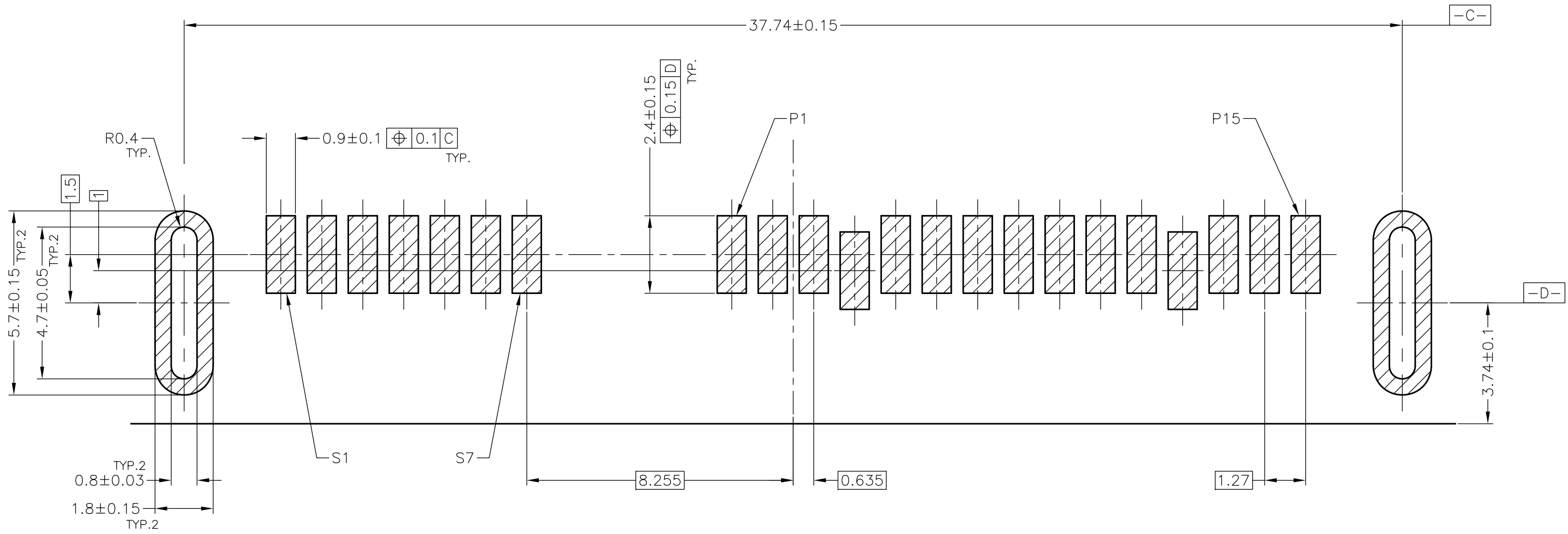
DESCRIPTION

DATE

DWN

APVD

SEE SHEET 1



THIS DRAWING IS A CONTROLLED DOCUMENT.		DWN	Tyco Electronics Corporation Taipei, Taiwan																			
DIMENSIONS: mm		CHK	NAME																			
TOLERANCES UNLESS OTHERWISE SPECIFIED:		APVD	SATA RECEPTACLE R/A SMT TYPE, 3.45MM																			
<table border="1"> <tr><td>8 PLC</td><td>±</td><td></td></tr> <tr><td>1 PLC</td><td>±</td><td>±0.05</td></tr> <tr><td>2 PLC</td><td>±</td><td>±3°</td></tr> <tr><td>3 PLC</td><td>±</td><td></td></tr> <tr><td>4 PLC</td><td>±</td><td></td></tr> <tr><td>ANGLES</td><td>±</td><td></td></tr> </table>		8 PLC	±		1 PLC	±	±0.05	2 PLC	±	±3°	3 PLC	±		4 PLC	±		ANGLES	±		PRODUCT SPEC	SIZE	
8 PLC	±																					
1 PLC	±	±0.05																				
2 PLC	±	±3°																				
3 PLC	±																					
4 PLC	±																					
ANGLES	±																					
MATERIAL		APPLICATION SPEC	CAGE CODE	DRAWING NO																		
FINISH		WEIGHT	A3 00779	2023246																		
		CUSTOMER DRAWING	RESTRICTED TO																			
		SCALE	SHEET	REV																		
		8:1	3 OF 4	A1																		

4

3

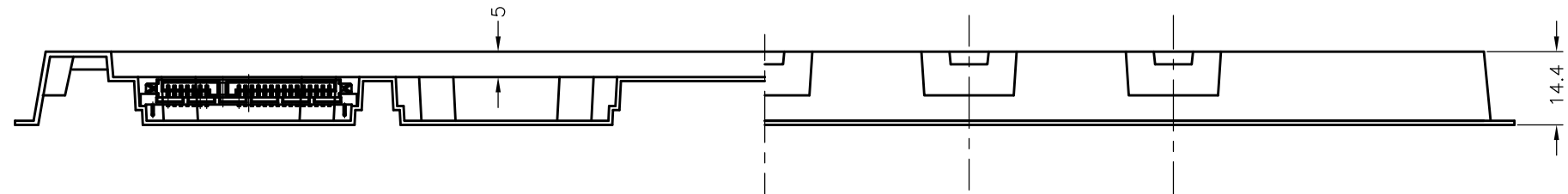
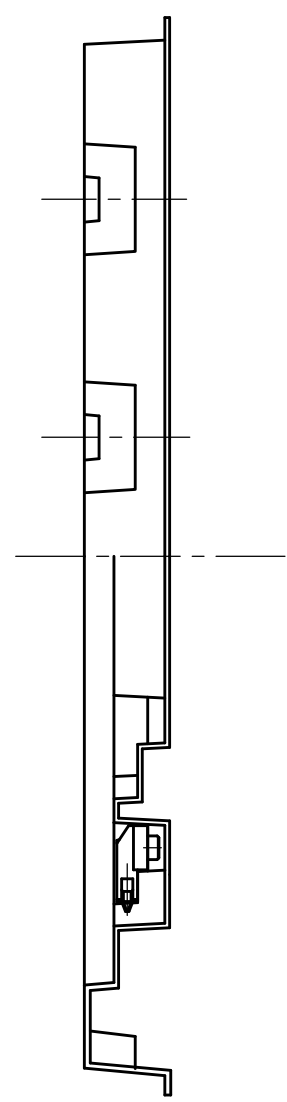
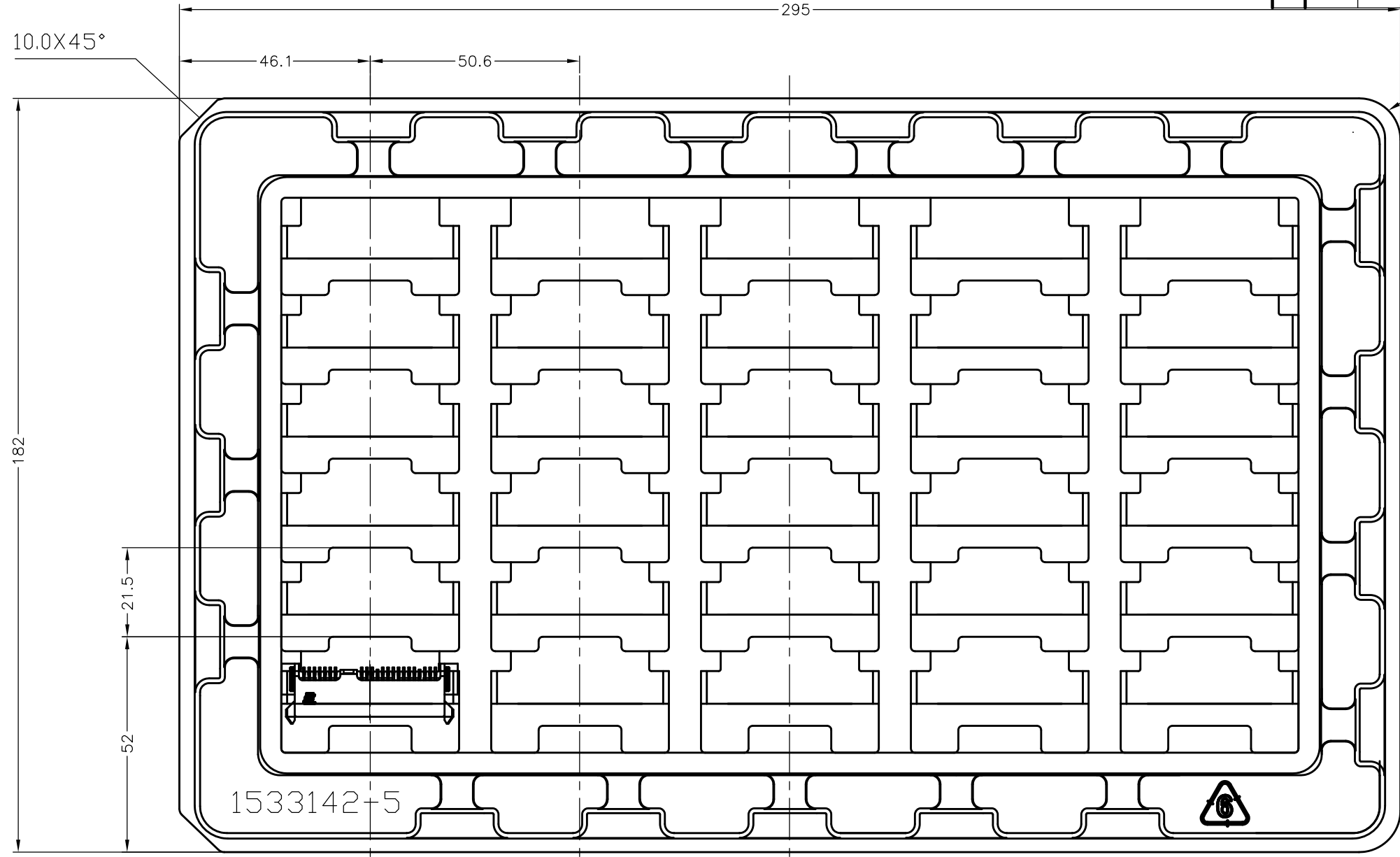
2

1

THIS DRAWING IS UNPUBLISHED. RELEASED FOR PUBLICATION  
 © COPYRIGHT BY TYCO ELECTRONICS CORPORATION. ALL RIGHTS RESERVED.

LOC	DIST	REVISIONS					
DW		P	LTR	DESCRIPTION	DATE	DWN	APVD
		-	-	SEE SHEET 1	-	-	-

D  
C  
B  
A



3. QUANTITY: 30 PCS/PER TRAY

THIS DRAWING IS A CONTROLLED DOCUMENT.		DWN	Tyco Electronics Corporation	
DIMENSIONS: mm		CHK	Taipei, Taiwan	
TOLERANCES UNLESS OTHERWISE SPECIFIED:		APVD	NAME	
<ul style="list-style-type: none"> <li>0 PLC ±</li> <li>1 PLC ±-</li> <li>2 PLC ±-</li> <li>3 PLC ±-</li> <li>4 PLC ±-</li> <li>ANGLES ±-</li> <li>FINISH</li> </ul>		PRODUCT SPEC	SATA RECEPTACLE	
MATERIAL		APPLICATION SPEC	R/A SMT TYPE, 3.45MM	
		WEIGHT	SIZE	RESTRICTED TO
		CUSTOMER DRAWING	A3	
			CAGE CODE	DRAWING NO
			00779	2023246
		SCALE	SHEET	REV
		4:1	4 OF 4	A1

## X-ON Electronics

Largest Supplier of Electrical and Electronic Components

*Click to view similar products for [I/O Connectors](#) category:*

*Click to view products by [TE Connectivity](#) manufacturer:*

Other Similar products are found below :

[571763P](#) [58098-0628](#) [72.250.1628.2](#) [72.250.2428.2](#) [74720-0505](#) [76.350.0729.0](#) [76871-1403](#) [FCN-244F080-G/1](#) [FCN-260A9920](#) [PCR-E36PM](#) [PCS-XE26MA+](#) [G38A71314B](#) [1571250010](#) [157-22500-3](#) [MS3471L14-19P L/C](#) [172501-4002](#) [172501-6002](#) [FCN-260C008-A/L0](#) [FCN-260C024-AL0](#) [FCN-261Z008](#) [2000314-1](#) [200331-1](#) [PCR-E36FC+](#) [PCS-E28FS+](#) [PCS-XE26SLFD+](#) [PCS-XE26SLFDT+](#) [G730VID08BDC24](#) [U90B2054081210](#) [38113800006](#) [DP3AR020WQ1R200](#) [Z4.102.0680.0](#) [500-1040](#) [500-1052](#) [500-1054](#) [ZP-4008-66L](#) [0709821002](#) [DX40-20P\(55\)](#) [5554841-1](#) [MS3474W18-8P-LC\\*](#) [U90B3054061110](#) [U65-E04-4020](#) [ZPF000000000097891](#) [747360449](#) [10099439-003C-TRLF](#) [10137239-0021LF](#) [E9320-001-01](#) [10137239-0011LF](#) [70289-001LF](#) [70.060.1028.0](#) [109029-ZZ](#)