

4

3

2

1

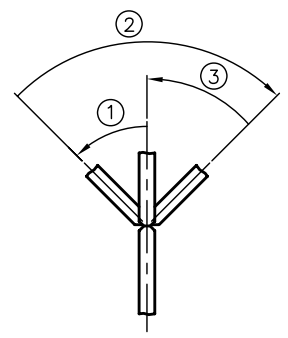
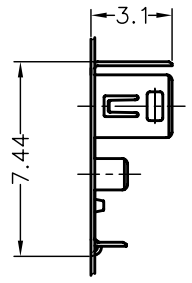
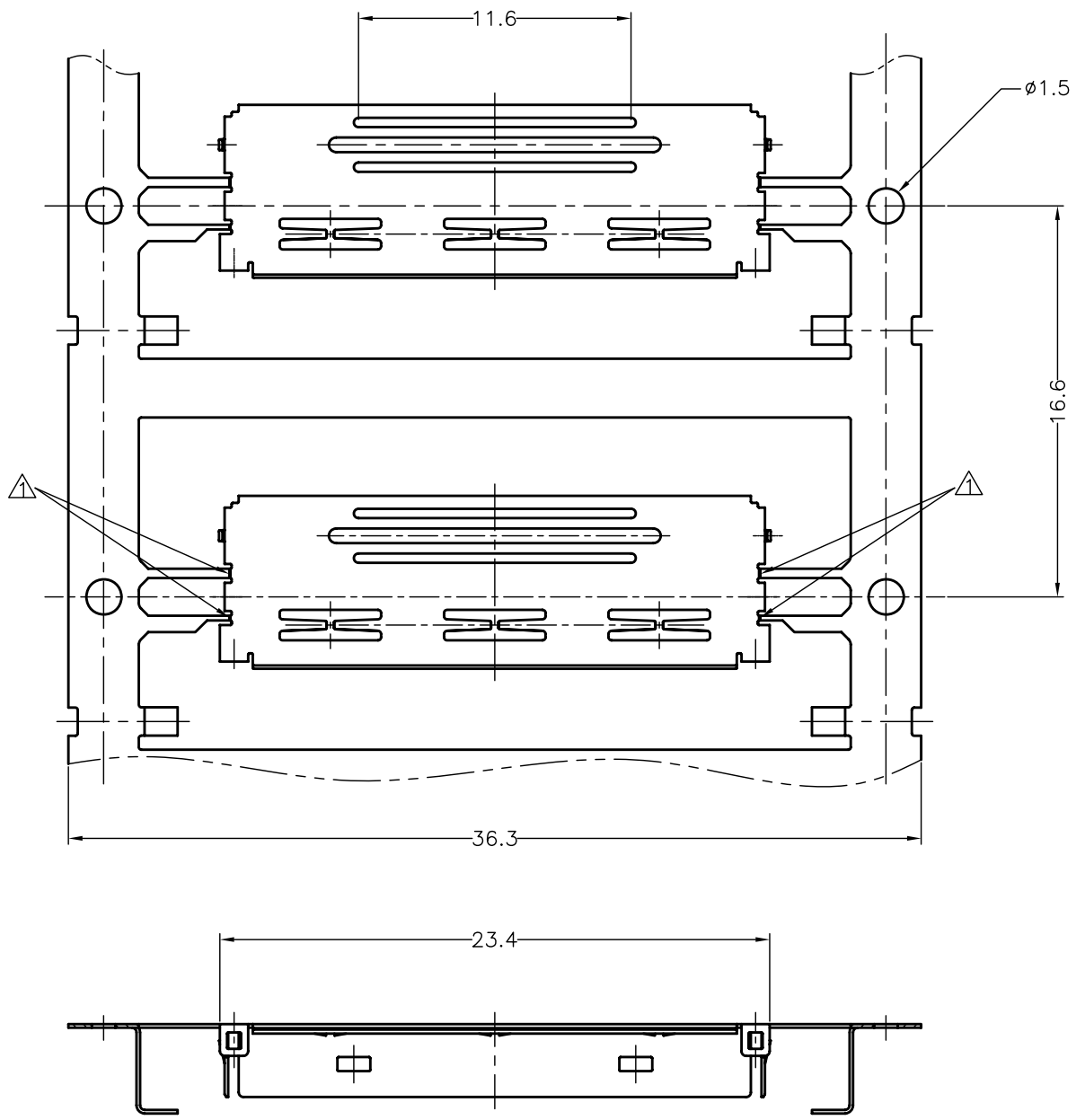
THIS DRAWING IS UNPUBLISHED. RELEASED FOR PUBLICATION  
 © COPYRIGHT BY TYCO ELECTRONICS CORPORATION. ALL RIGHTS RESERVED.

LOC		DIST		REVISIONS			
P	LTR	DESCRIPTION	DATE	DWN	APVD		
	C	REVISED (ECR-09-005903)	12MAR09	P.H	H.K		

2023317-1: AS SHOWN

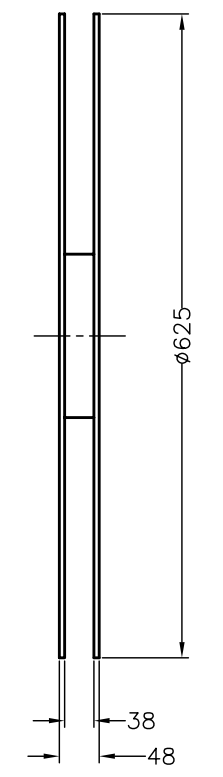
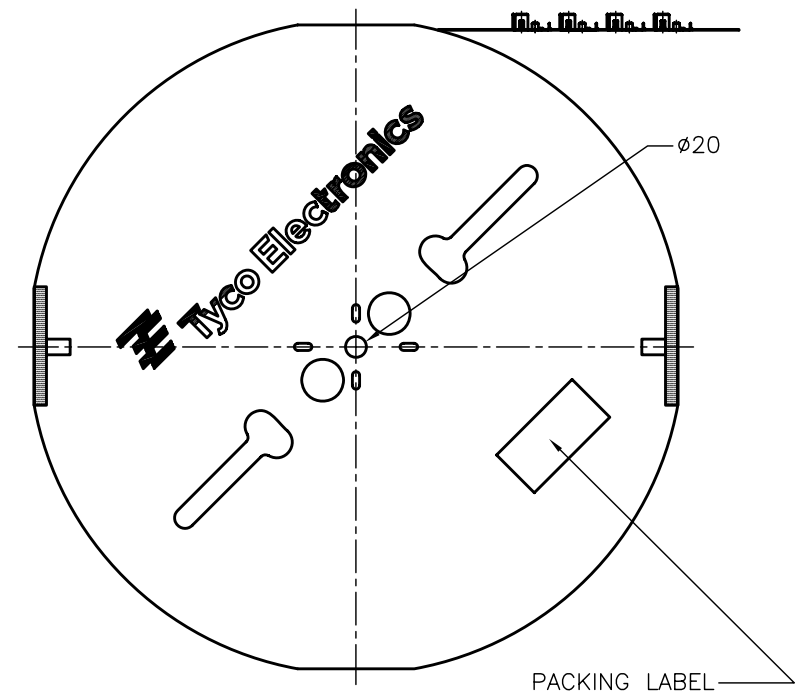
NOTES

- 1. NOTCH SHOULD BE CUT OFF WITHIN 3 PROCESS
- 2. QUANTITY: 3000 PCS/REEL



1 NOTCH CUT PROCESS

PULL OUT DIRECTION →



ITEM	NAME	MATERIAL	FINISH/COLOR
1	UPPER SHELL	COPPER ALLOY	NI UNDER PL 0.0013mm MIN.ALL OVER TIN 0.002~0.005mm PL OVER UNDER NI PL

THIS DRAWING IS A CONTROLLED DOCUMENT.		DWN P.HSU 25NOV08	Tyco Electronics Corporation Taipi, Taiwan	
DIMENSIONS: INCHES		CHK C.WAYDE 25NOV08	Tyco Electronics	
TOLERANCES UNLESS OTHERWISE SPECIFIED:		APVD H.KODAMA 25NOV08	NAME	
0 PLC ± ±0.2		PRODUCT SPEC		
1 PLC ± ±2		APPLICATION SPEC		
2 PLC ± ±		SIZE CAGE CODE DRAWING NO RESTRICTED TO		
3 PLC ± ±		A2 00779 C-2023317		
4 PLC ± ±		CUSTOMER DRAWING SCALE 5:1 SHEET 1 of 1 REV C		
ANGLES ± ±				
FINISH				

2023317

## X-ON Electronics

Largest Supplier of Electrical and Electronic Components

*Click to view similar products for [I/O Connectors](#) category:*

*Click to view products by [TE Connectivity](#) manufacturer:*

Other Similar products are found below :

[571763P](#) [58098-0628](#) [61-168618-12P](#) [D38999/20FJ29SB L/C](#) [72.250.1628.2](#) [72.250.2428.2](#) [74720-0505](#) [747680210](#) [76.350.0729.0](#) [76871-1403](#) [FCN-244F080-G/1](#) [FCN-260A9920](#) [FCN-268D024-G/2F#10X-R10](#) [MP-5T180MUNNA-005](#) [MP-5XRJ45UNNB-003](#) [PCS-E50FA](#) [PCS-XE26LKA](#) [PCS-XE26MA+](#) [PCS-XES68MS+](#) [G38A71314B](#) [91-569719-35R](#) [9776-18-6](#) [DX40-50P\(55\)](#) [1571250010](#) [157-22500-3](#) [MS3471L14-19P L/C](#) [171224-6031](#) [1888020-8](#) [91-569786-35H](#) [91-569786-35M](#) [91-644626-35P](#) [172501-4002](#) [172501-6002](#) [FCN-260C008-A/L0](#) [FCN-260C024-AL0](#) [FCN-268D008-G/1K](#) [2000314-1](#) [200331-1](#) [2007498-2](#) [PCR-E28LMDAG1+](#) [PCR-E36FC+](#) [PCS-E28FS+](#) [PCS-XE26SLFD+](#) [PCS-XE26SLFDT+](#) [G38A71214B](#) [HDRA-E68W1LFDTC-SL+](#) [HDR-E14MSG1+](#) [R88A-CNK81S](#) [CRT1-ATT02](#) [54182-0605](#)