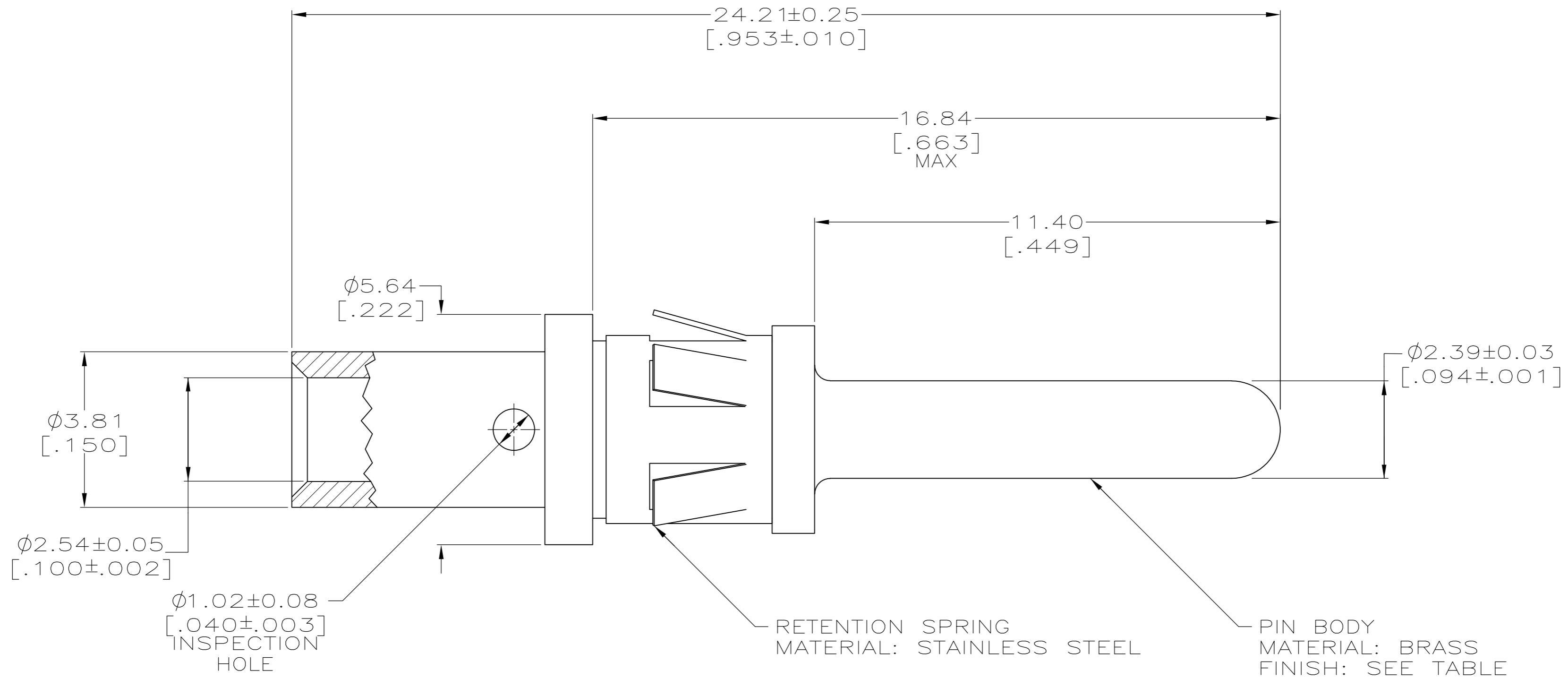


THIS DRAWING IS UNPUBLISHED. RELEASED FOR PUBLICATION
 © COPYRIGHT - By - ALL RIGHTS RESERVED.

LOC		DIST		REVISIONS			
P	LTR	DESCRIPTION		DATE	DWN	APVD	
FT	8	H1		REVISED PER ECO-13-009250	27JUN13	KH	MZ



- 1 0.76 μm [0.000030] MIN GOLD OVER 1.27 μm [0.000050] MIN NICKEL.
- 2 3.81 μm [0.000150] MIN TIN.
- 3 ASSEMBLY MATES WITH SOCKET ASSEMBLY 202417.

OBSOLETE	2	202422-4
	1	202422-1
	PIN BODY FINISH	PART NUMBER

THIS DRAWING IS A CONTROLLED DOCUMENT.		DWN	B.CARBO	05 JAN 98	 TE Connectivity
DIMENSIONS:		CHK	R.STONE	09 JAN 98	
mm [INCHES]		APVD	G.STEINHAUER	30 JAN 98	
TOLERANCES UNLESS OTHERWISE SPECIFIED:		PRODUCT SPEC			
0 PLC	± -	APPLICATION SPEC			NAME
1 PLC	± -				CONTACT ASSEMBLY, PIN,
2 PLC	± 0.13 [0.005]				14-12 WIRE SIZE, TYPE I
3 PLC	± -				SIZE
4 PLC	± -				CAGE CODE
ANGLES	± -				DRAWING NO
MATERIAL	FINISH	WEIGHT			RESTRICTED TO
SEE CALLOUTS	SEE CALLOUTS	-			-
CUSTOMER DRAWING			SCALE	10:1	SHEET
					1 OF 1
					REV
					H1

X-ON Electronics

Largest Supplier of Electrical and Electronic Components

Click to view similar products for [Standard Circular Contacts](#) category:

Click to view products by [TE Connectivity](#) manufacturer:

Other Similar products are found below :

[RC16M23J](#) [133780-1](#) [RM20M13D28](#) [RMMX110-1D28](#) [ELFH02211](#) [ELVP16100E](#) [164-901-CD](#) [BACS16X1A](#) [EN3545007SCE](#)
[BV002BSQ20049CZ](#) [BV002SSQ160404CZ](#) [1900ND05S1B00B](#) [SJS862201](#) [166566-1](#) [1900ND04S1X00D](#) [ST-JL05-20S-C1-100](#) [ST-JL05-20S-C2-100](#) [T01-CRIMP-S03](#) [APK-SA16A07-002](#) [27963-15T12](#) [CONT-JL05-08S-C2-10](#) [CONT-JL05-12S-C1-10](#) [RC16M-23T](#) [RFD26L-1D28](#) [BV002ASJ16049CW](#) [33505815019](#) [JN1-22-20S-R-PKG100](#) [031-50213](#) [031-50794](#) [ELFH08251](#) [ELFP0641GE](#) [SJS861301M](#) [ST-JL05-16S-C1-100](#) [ST-JL05-20P-C1-100](#) [82911466K](#) [82911467NK](#) [ESLM03200](#) [192991-0087](#) [192900-0570](#) [ELFH07251](#) [M12883/40-07S](#)
[BACS16X3A](#) [T3P16FC3LZ](#) [ZP-4016-10NF](#) [CONT-JL05-12P-C1-10](#) [RM20M12G8D28](#) [031-50676](#) [12115010110](#) [RJFTVC2MG](#) [CAP-DACMDPC2](#)