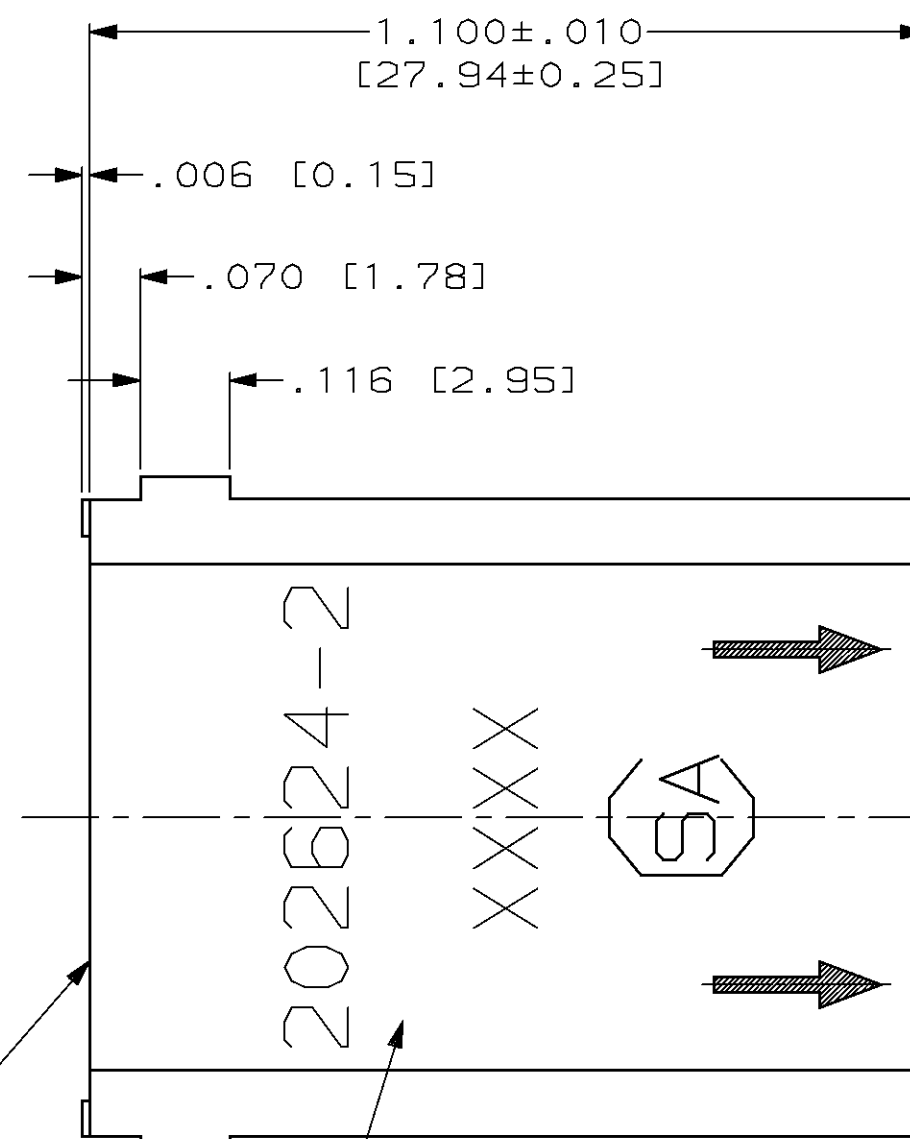
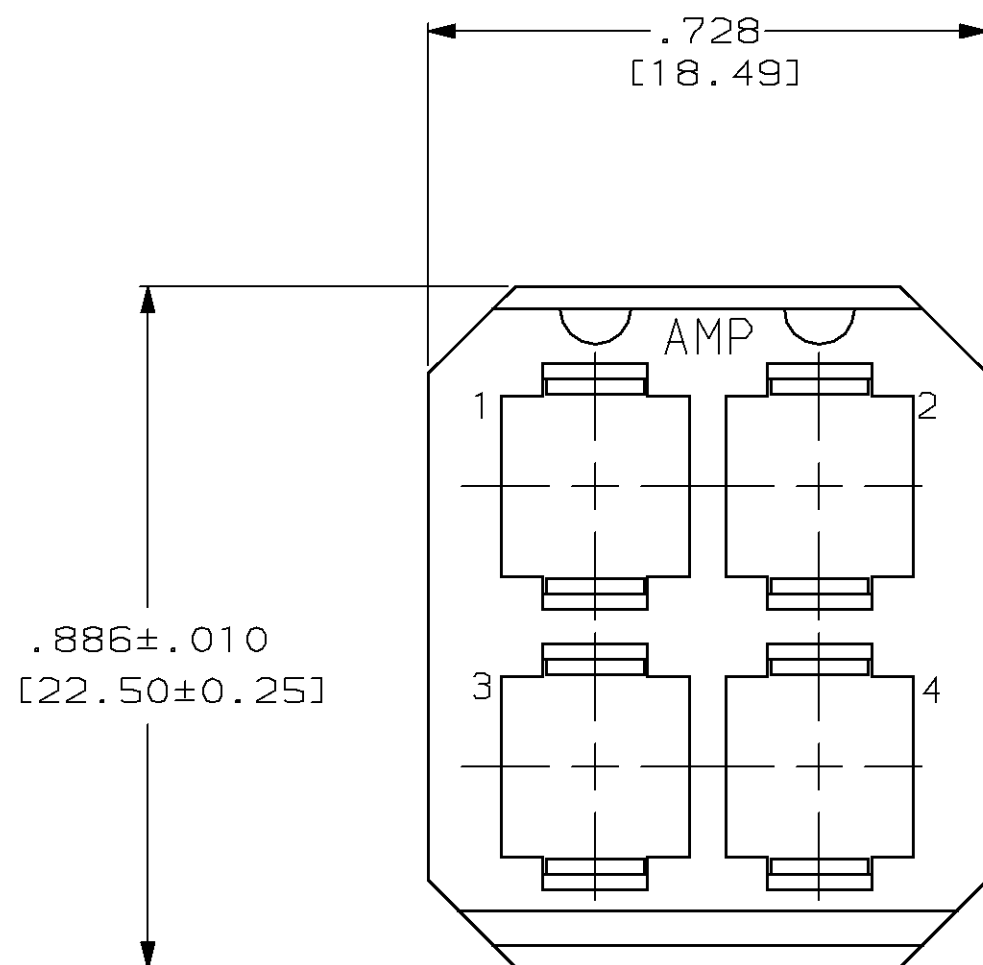
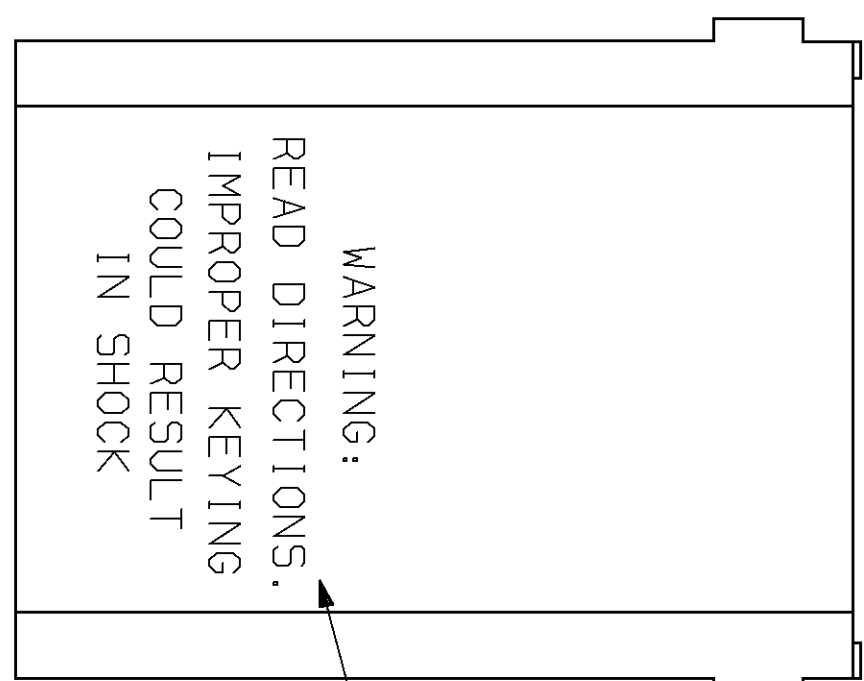


LOC	DIST	P	F	ZONE	LTR	DESCRIPTION	DATE	APPD
DF	BO				G	REV & REDRAWN DF-4297	PY	11-91 DBM
					H	REV PER 0600-4161-95 JB	08-30-95	DBM



MATING FACE

- ① MATERIAL: PHENOLIC PER MIL-M-14, TYPE CFG OR MFH, COLOR: BLACK
- ② AMP PART NO, DATE CODE, CSA CERT AND ARROWS MARKED WITH WHITE INK OR BY LASER MARKING AT APPROXIMATE AREA SHOWN, EITHER SIDE
- 3. THIS MODULE ACCEPTS FOUR TYPE XII MALE POWER CONTACTS
- ④ WARNING STATEMENT MARKED WITH WHITE INK AT APPROXIMATE AREA SHOWN, ON SIDE OPPOSITE PART NUMBER.

AS SHOWN	202624-2
DESCRIPTION	PART NUMBER

DO NOT SCALE PRINT. UNLESS SPECIFIED DIMENSIONS IN INCHES [mm]		DR 9-10-91 P. YEAGER		PART NO	
TOLERANCES ON :		CHK 11-12-91 D.B. MUMMEY		AMP Incorporated Harrisburg, PA 17105-3608	
2 PLC DEC ± -		APPD 11-12-91 D.B. MUMMEY			
3 PLC DEC ± .005		APPD -		NAME MALE BLOCK G SERIES, TYPE XII	
ANGLES ± -		PRODUCT SPEC -			
MATERIAL		APPLICATION SPEC		SIZE	CAGE CODE
①		-		③	00779
FINISH		WEIGHT -		DRAWING NO	202624
-				SCALE	4:1
				SHEET	1 OF 1

X-ON Electronics

Largest Supplier of Electrical and Electronic Components

Click to view similar products for [Rack & Panel Connectors](#) category:

Click to view products by [TE Connectivity](#) manufacturer:

Other Similar products are found below :

[00171410002](#) [00171420202](#) [00171440002](#) [02-014-013-5200-000](#) [613467-000](#) [CTJ112E01E-513](#) [CTJ116E03A-513](#) [66020-2](#) [CW8958-000](#)
[699886-000](#) [D250-50632](#) [70.400.3240.0](#) [70.955.2453.3](#) [733753-000](#) [F22831-000](#) [780-522-DPX34RG8-02](#) [8660-501](#) [87.060.0053.0](#)
[900709N001](#) [928358-1](#) [D-659-0061](#) [1-445717-6](#) [1484469-2](#) [1604997-2](#) [MTC100-BF1-P31CS015](#) [MTC100-KT2-0083](#) [MTC100-KT2-0123-](#)
[003](#) [MTC100-YA1-005](#) [MTC PQKT1R2PGCA](#) [MTCR-103-04S](#) [MTCX1X-100-100CS025](#) [1738331-1](#) [1757667-1](#) [1811481-1](#) [1883433-1](#)
[201046-7](#) [202648-4](#) [205269-1](#) [213364-1](#) [226503-000](#) [937028-164](#) [1663130-2](#) [172305-4](#) [AC-660022-701BP](#) [F36711-000](#) [202355-2](#) [202356-](#)
[2](#) [G16S-A](#) [G20S-AB](#) [CHA-0017-003](#)