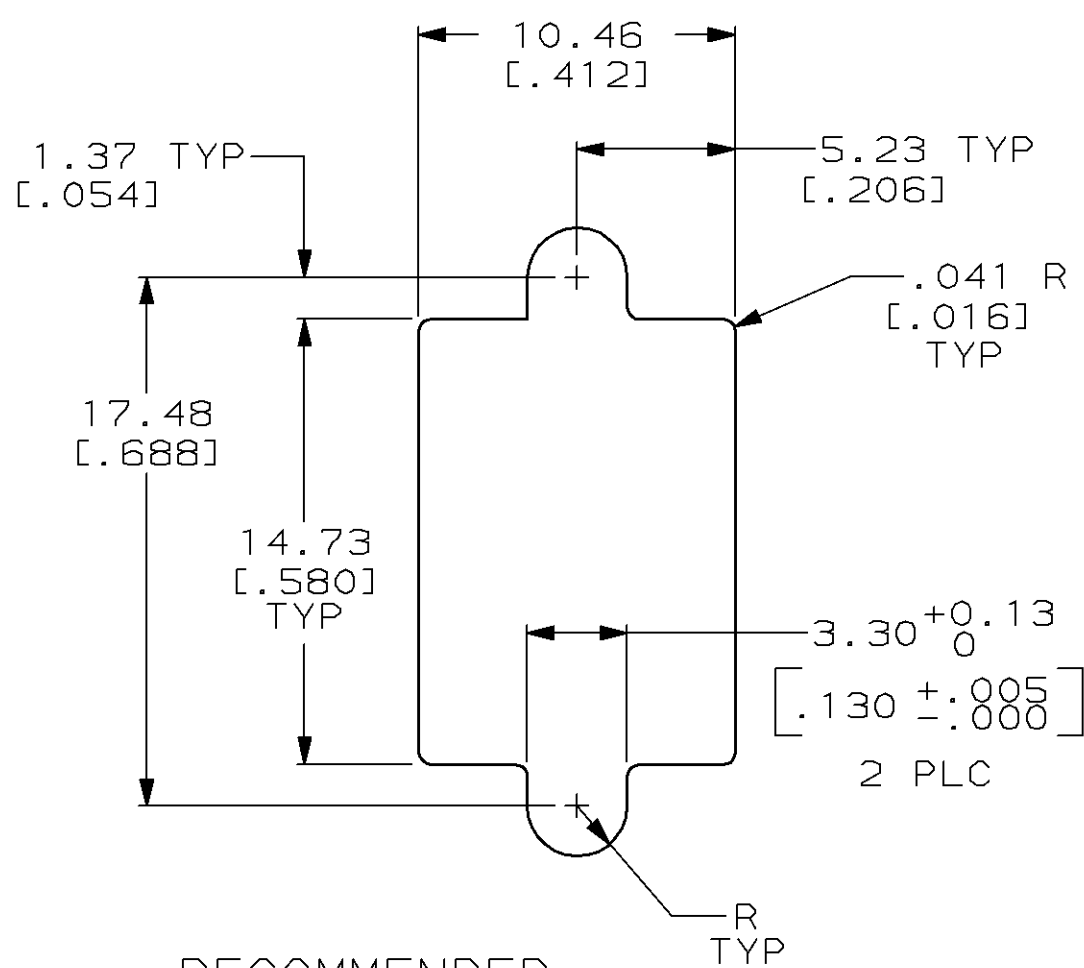
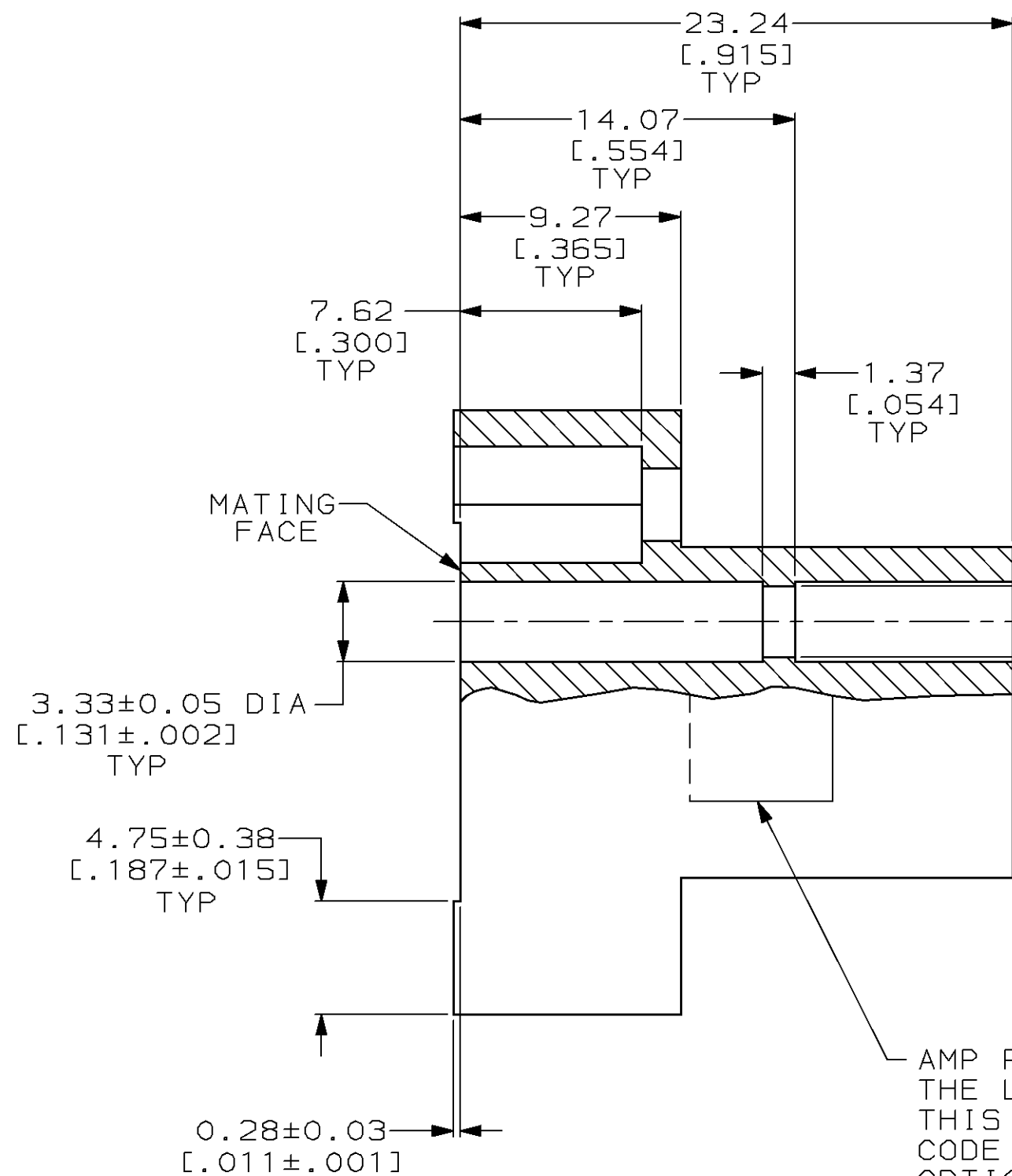
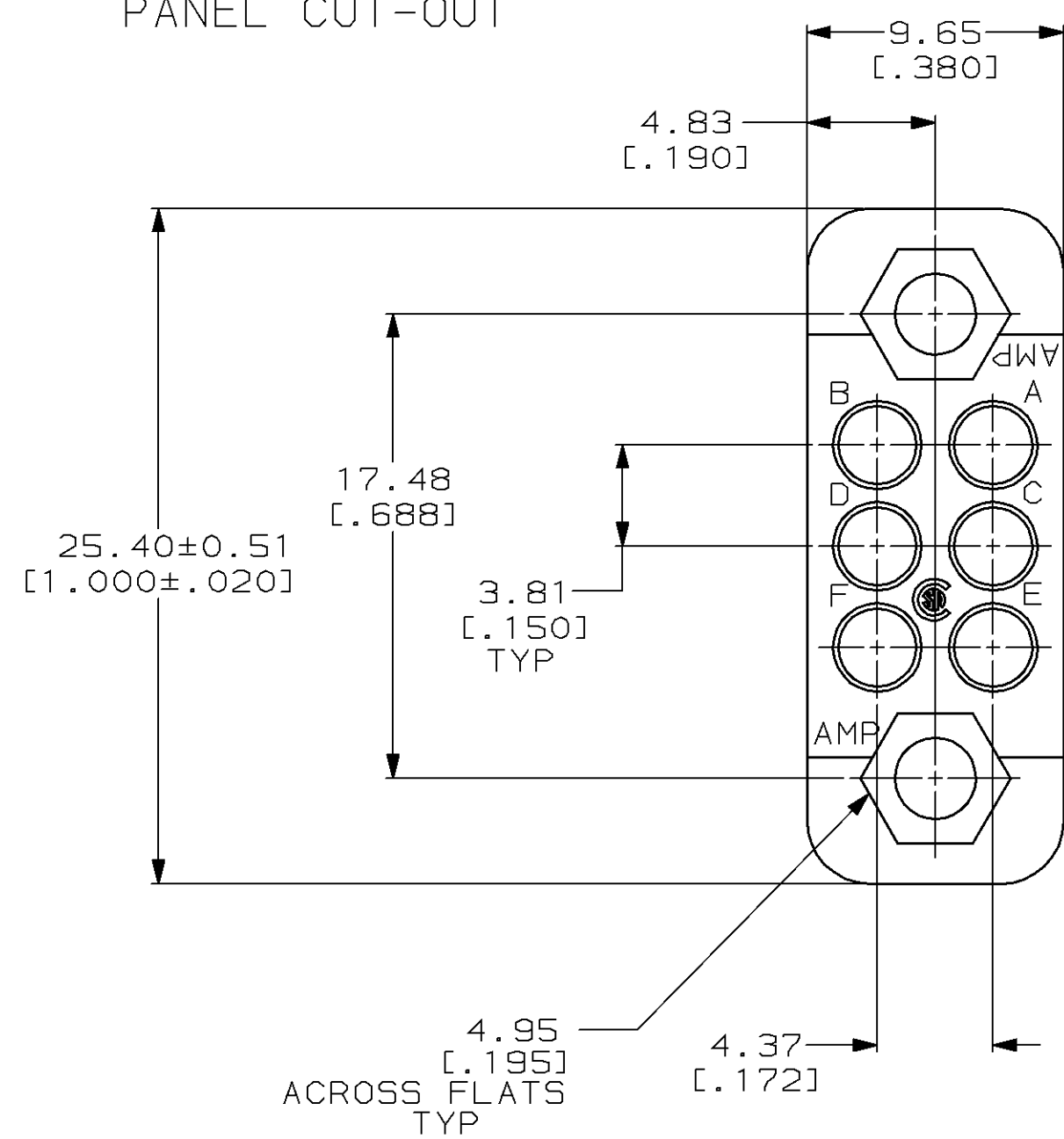


LOC	DIST	P	F	ZONE	LTR	DESCRIPTION	DATE	APPD
FT	8				D	OBS -5 & REDWN PER BD6577	08/29/92	GS
					E	REV PER EC 0320-82-97	14 AUG 97	GS

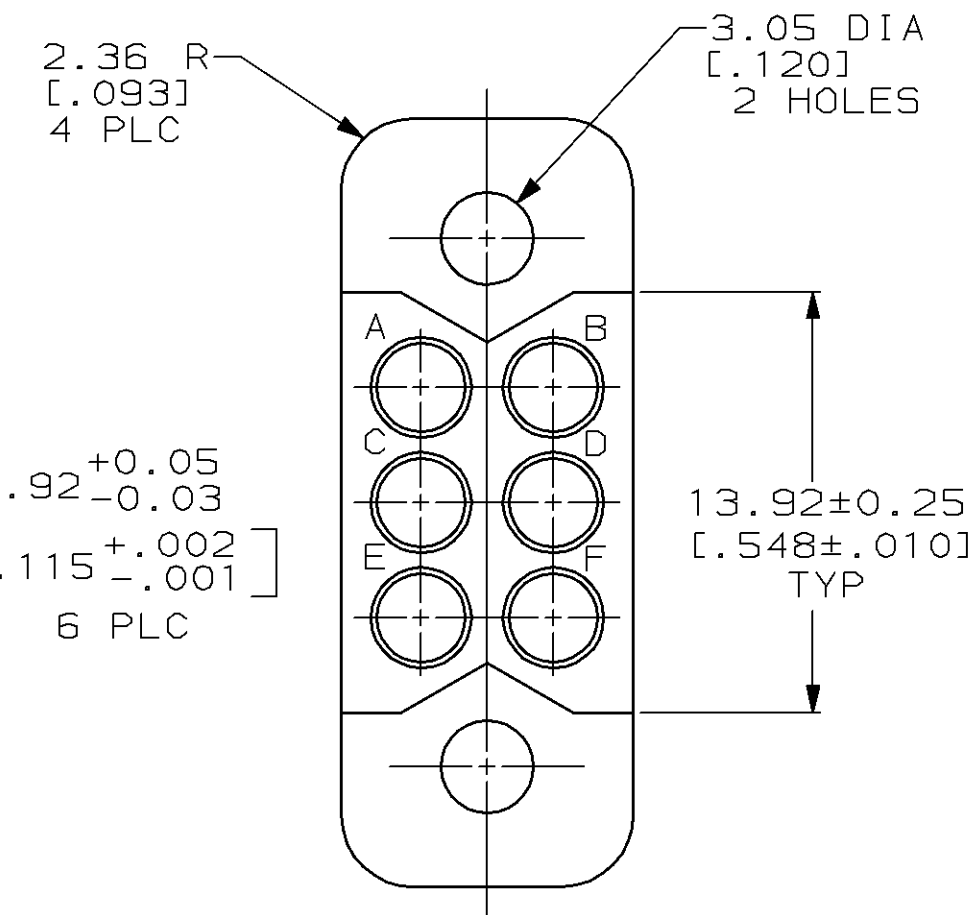


- MATES WITH 202757 & ACCOMMODATES TYPE II, OR TYPE III #16 PIN, OR SOCKET CONTACTS.
- PHENOLIC, PER MIL-M-14, TYPE CFG, BLACK
- DIALLYL PHTHALATE, PER MIL-M-14, TYPE SDG-F, BLUE
- EPIALL, BLACK

RECOMMENDED  
PANEL CUT-OUT



AMP PART NO &  
THE LETTER "P"  
THIS AREA. DATE  
CODE AT AMP'S  
OPTION



OBSOLETE	4	202758-6
	3	202758-3
	2	202758-1
MATERIAL		PART NO

DO NOT SCALE PRINT. UNLESS SPECIFIED DIMENSIONS IN mm [INCHES] TOLERANCES ON: 2 PLC DEC ± 0.13 [.005] 3 PLC DEC ± - ANGLES ± -	DR 8-29-92 CHAD BAKER CHK 8-31-92 J. McCLINTON APPD 9-2-92 G. STEINHAUER APPD 9-9-92 C. ROHDE	AMP AMP Incorporated Harrisburg, PA 17105-3608	
MATERIAL SEE TABLE	PRODUCT SPEC -	NAME RECEPTACLE BLOCK, MINIATURE, 6 POSN, MALE, M SERIES	
FINISH -	APPLICATION SPEC -	SIZE C	CAGE CODE 00779
	WEIGHT -	DRAWING NO G=202758	
		SCALE 4:1	SHEET 1 OF 1

THIS DRAWING IS A CONTROLLED DOCUMENT FOR AMP INCORPORATED. IT IS SUBJECT TO CHANGE AND THE CONTROLLING ENGINEERING ORGANIZATION SHOULD BE CONTACTED FOR THE LATEST REVISION.

## X-ON Electronics

Largest Supplier of Electrical and Electronic Components

*Click to view similar products for [Rack & Panel Connectors](#) category:*

*Click to view products by [TE Connectivity](#) manufacturer:*

Other Similar products are found below :

[00171410002](#) [00171420202](#) [00171440002](#) [02-014-013-5200-000](#) [613467-000](#) [CTJ112E01E-513](#) [CTJ116E03A-513](#) [66020-2](#) [CW8958-000](#)  
[699886-000](#) [D250-50632](#) [70.400.3240.0](#) [70.955.2453.3](#) [733753-000](#) [F22831-000](#) [780-522-DPX34RG8-02](#) [8660-501](#) [87.060.0053.0](#)  
[900709N001](#) [928358-1](#) [D-659-0061](#) [1-445717-6](#) [1484469-2](#) [1604997-2](#) [MTC100-BF1-P31CS015](#) [MTC100-KT2-0083](#) [MTC100-KT2-0123-](#)  
[003](#) [MTC100-YA1-005](#) [MTC PQKT1R2PGCA](#) [MTCR-103-04S](#) [MTCX1X-100-100CS025](#) [1738331-1](#) [1757667-1](#) [1811481-1](#) [1883433-1](#)  
[201046-7](#) [202648-4](#) [205269-1](#) [213364-1](#) [226503-000](#) [937028-164](#) [1663130-2](#) [172305-4](#) [AC-660022-701BP](#) [F36711-000](#) [202355-2](#) [202356-](#)  
[2](#) [G16S-A](#) [G20S-AB](#) [CHA-0017-003](#)