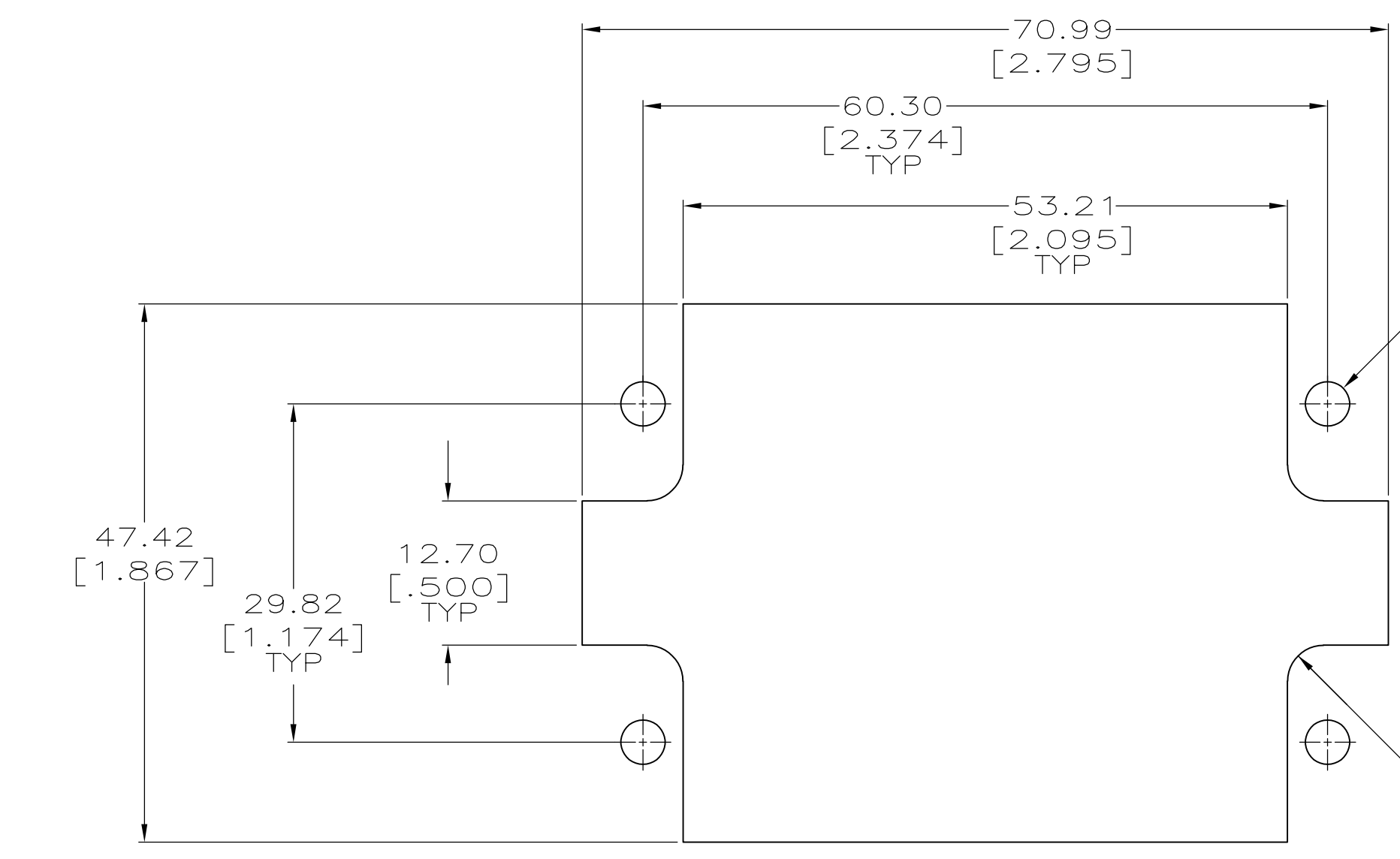
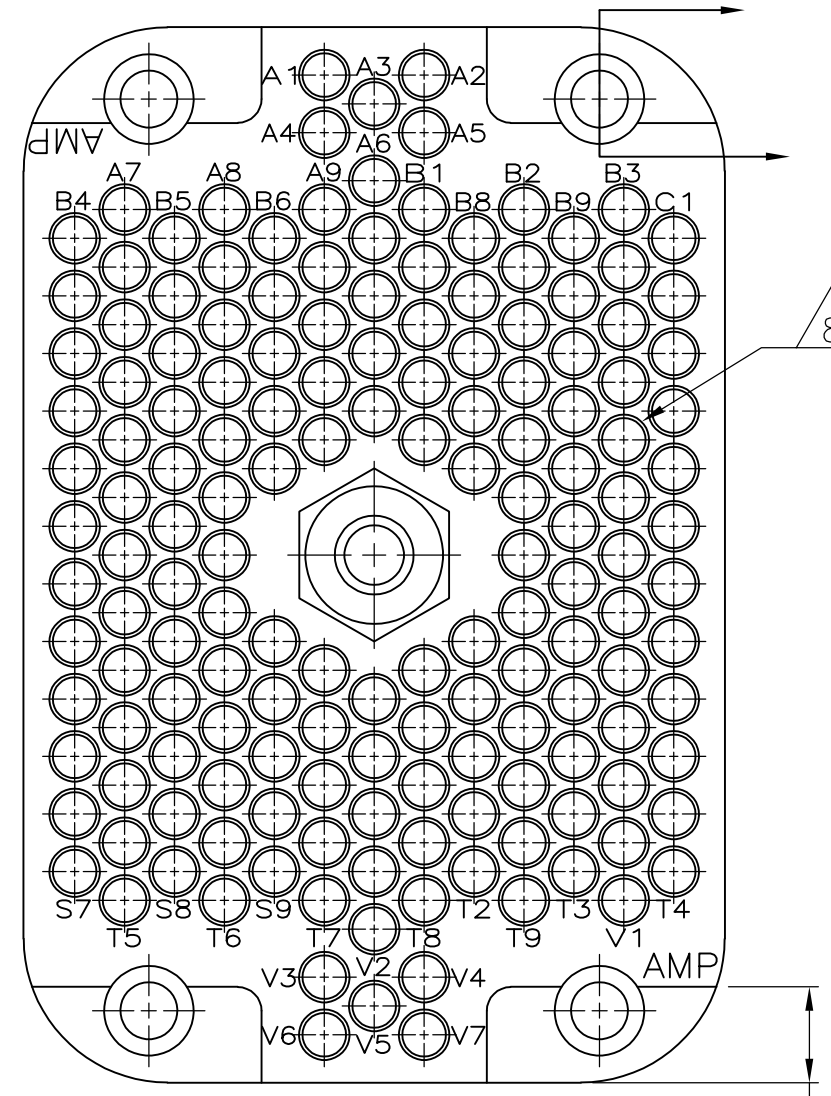
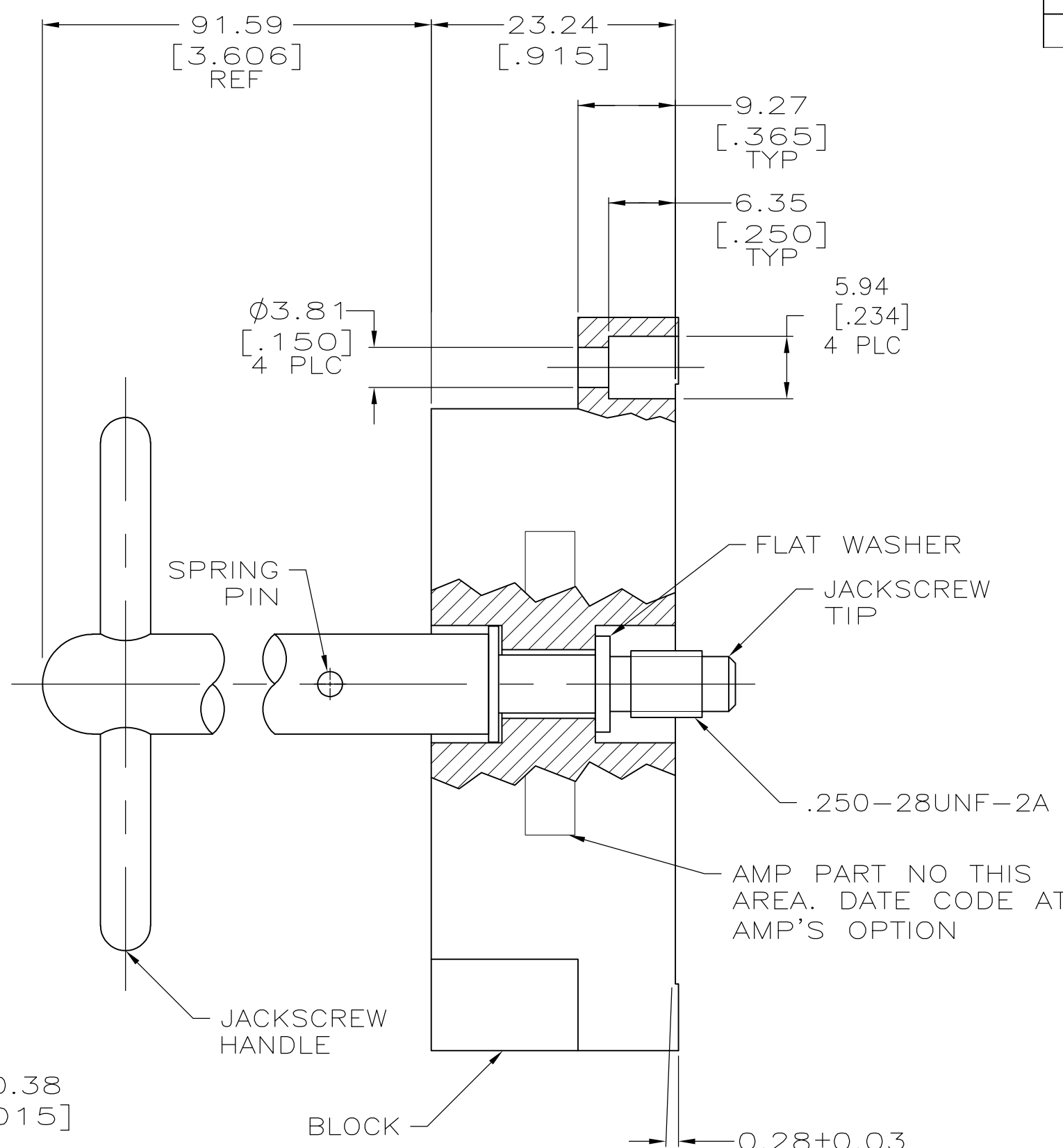
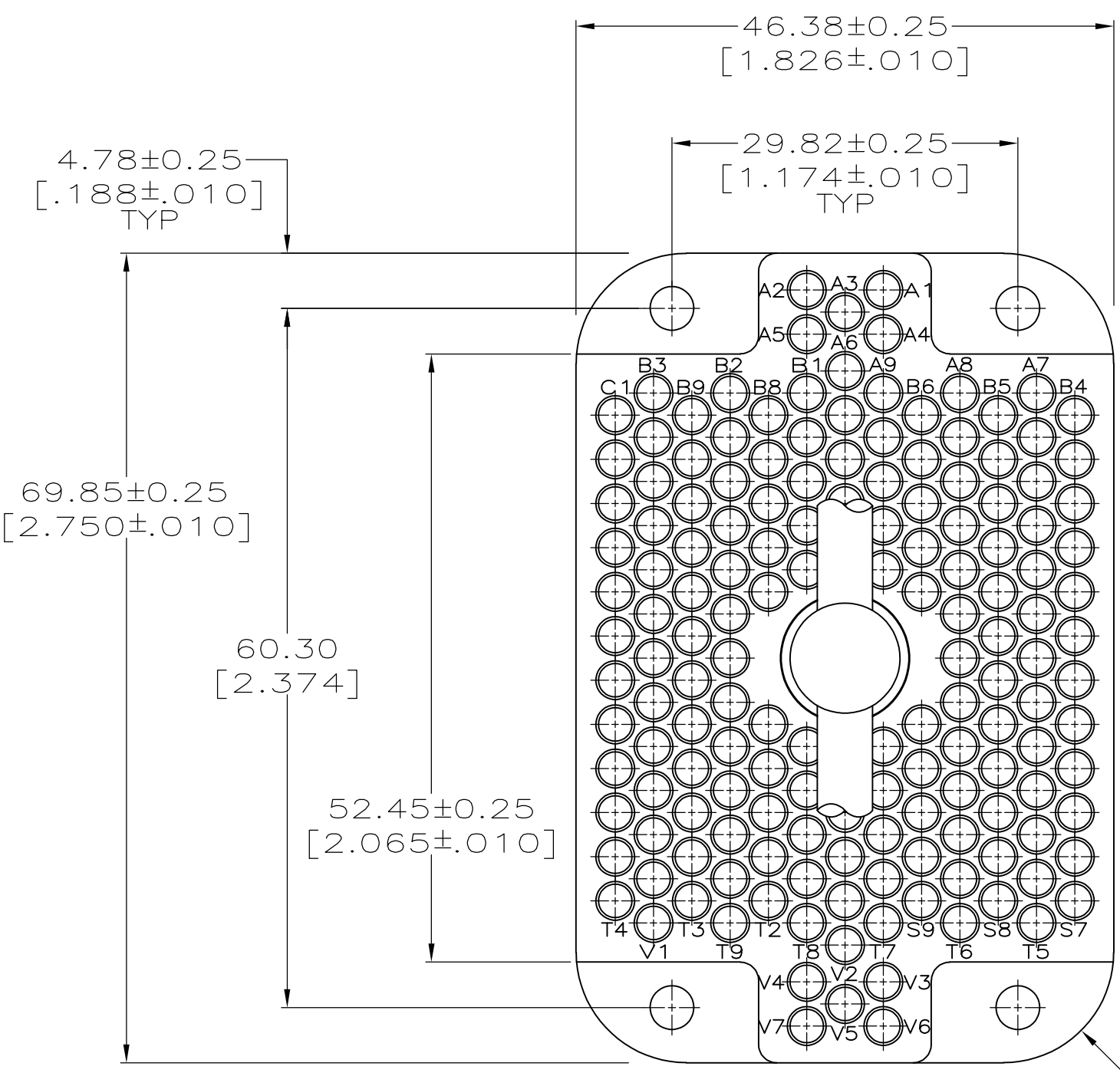


THIS DRAWING IS UNPUBLISHED. RELEASED FOR PUBLICATION
 © COPYRIGHT - By - ALL RIGHTS RESERVED.

REVISIONS				
P	LTR	DESCRIPTION	DATE	APVD
D3		REVISED PER ECO-16-004000	28SEP2016	NK MZ



- 1 BLOCK: SEE TABLE. JACKSCREW HANDLE, JACKSCREW TIP, & FLAT WASHER: STAINLESS STEEL. SPRING PIN: HIGH CARBON STEEL.
- 2 JACKSCREW HANDLE, JACKSCREW TIP, & FLAT WASHER: PASSIVATED.
- 3 MATES WITH BLOCK 202800.
- 4 DIALLYL PHTHALATE, PER MIL-M-14, TYPE SDG-F, BLUE.
- 5 PHENOLIC PER MIL-M-14, TYPE CFG, BLACK.
- 6 FINISH: ZINC PLATE WITH HEXAVALENT CHROMATE.
- 7 FINISH: ZINC PLATE WITH NON-HEXAVALENT CHROMATE.
- 8 CIRCUIT CAVITY NUMBERING SKIPS I, O, Q AND U SEQUENCES.
- 9 OBSOLETE PART NUMBER.

9	7	5	202799-4
9	7	4	202799-3
6	5	2	202799-2
6	4	1	202799-1
SPRING PIN FINISH	BLOCK MATERIAL	PART NUMBER	

THIS DRAWING IS A CONTROLLED DOCUMENT.		DWN B.CARBO 08 AUG 97	STE TE Connectivity	
DIMENSIONS: mm [INCHES]		CHK R.STONE 18 AUG 97		
TOLERANCES UNLESS OTHERWISE SPECIFIED:		APVD G.STEINHAUER 05 SEP 97	NAME	
0 PLC ± -		PRODUCT SPEC	PLUG BLOCK ASSY, 160 POSITION, W/ CENTER FASTENER, M SERIES	
1 PLC ± -		APPLICATION SPEC	SIZE CAGE CODE DRAWING NO RESTRICTED TO	
2 PLC ± 0.13 [.005]		WEIGHT	A2 00779 C=202799	
3 PLC ± -		CUSTOMER DRAWING	SCALE 2:1 SHEET 1 of 1 REV D3	
4 PLC ± -				
ANGLES ± -				
FINISH 1				
FINISH 2				

X-ON Electronics

Largest Supplier of Electrical and Electronic Components

Click to view similar products for [Rack & Panel Connectors](#) category:

Click to view products by [TE Connectivity](#) manufacturer:

Other Similar products are found below :

[00171410002](#) [00171420202](#) [00171440002](#) [02-014-013-5200-000](#) [613467-000](#) [CTJ112E01E-513](#) [CTJ116E03A-513](#) [66020-2](#) [CW8958-000](#)
[699886-000](#) [D250-50632](#) [70.400.3240.0](#) [70.955.2453.3](#) [733753-000](#) [F22831-000](#) [780-522-DPX34RG8-02](#) [8660-501](#) [87.060.0053.0](#)
[900709N001](#) [928358-1](#) [D-659-0061](#) [1-445717-6](#) [1484469-2](#) [1604997-2](#) [MTC100-BF1-P31CS015](#) [MTC100-KT2-0083](#) [MTC100-KT2-0123-](#)
[003](#) [MTC100-YA1-005](#) [MTCQPQT1R2PGCA](#) [MTCR-103-04S](#) [MTCX1X-100-100CS025](#) [1738331-1](#) [1757667-1](#) [1811481-1](#) [1883433-1](#)
[201046-7](#) [202648-4](#) [213364-1](#) [226503-000](#) [937028-164](#) [1663130-2](#) [172305-4](#) [F36711-000](#) [202355-2](#) [202356-2](#) [G16S-A](#) [G20S-AB](#) [CHA-](#)
[0017-003](#) [CHA-0296](#) [354654-000](#)