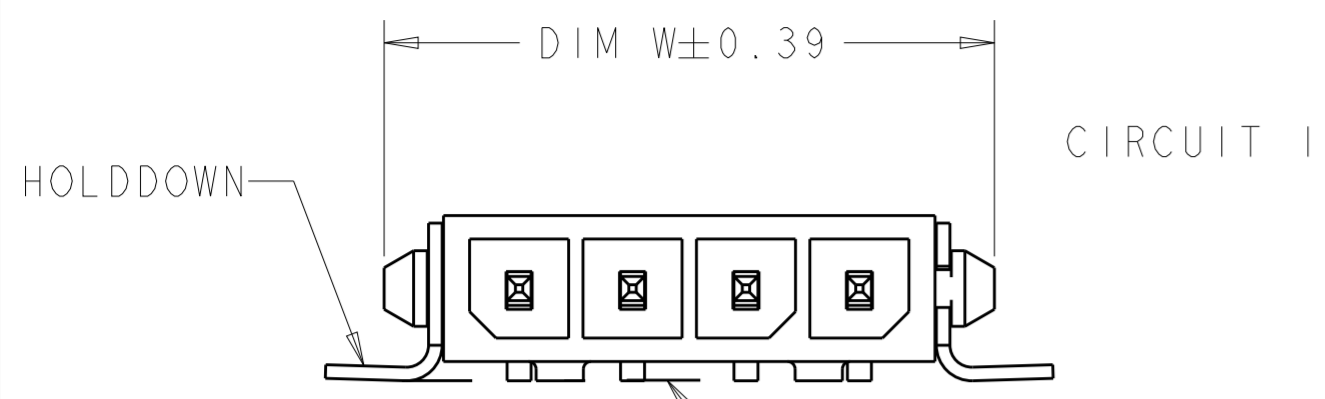
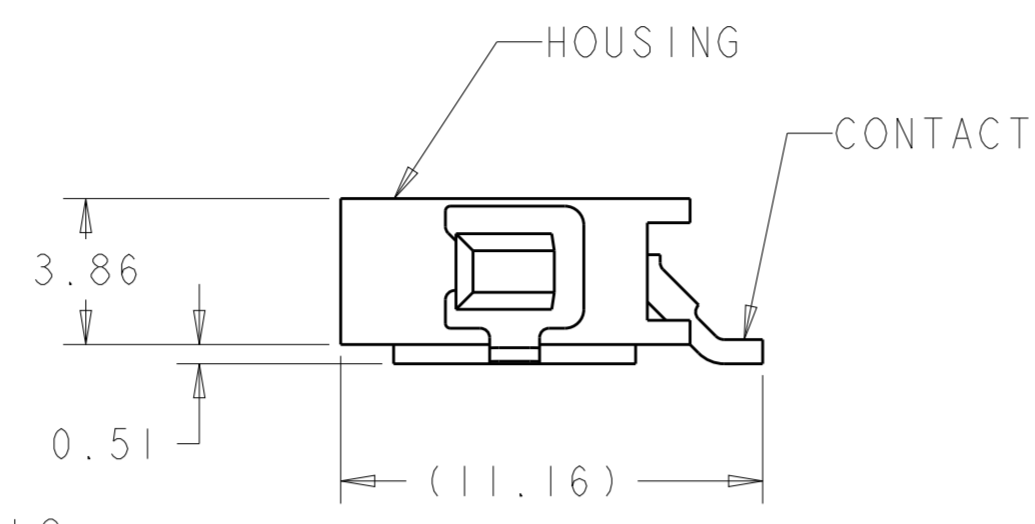


THIS DRAWING IS UNPUBLISHED. RELEASED FOR PUBLICATION 20
 © COPYRIGHT 20 ALL RIGHTS RESERVED.

LOC	DIST	REVISIONS					
CM	00	P	LTR	DESCRIPTION	DATE	DWN	APVD
		A5		REVISED PER ECN-20-100589	29OCT2020	WLS	VS

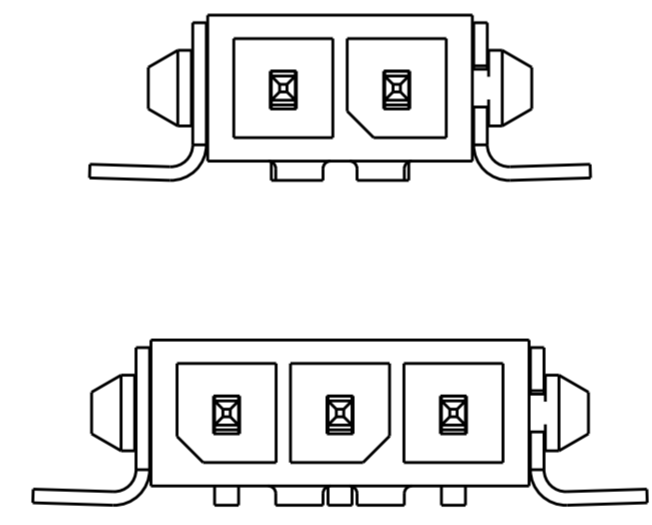
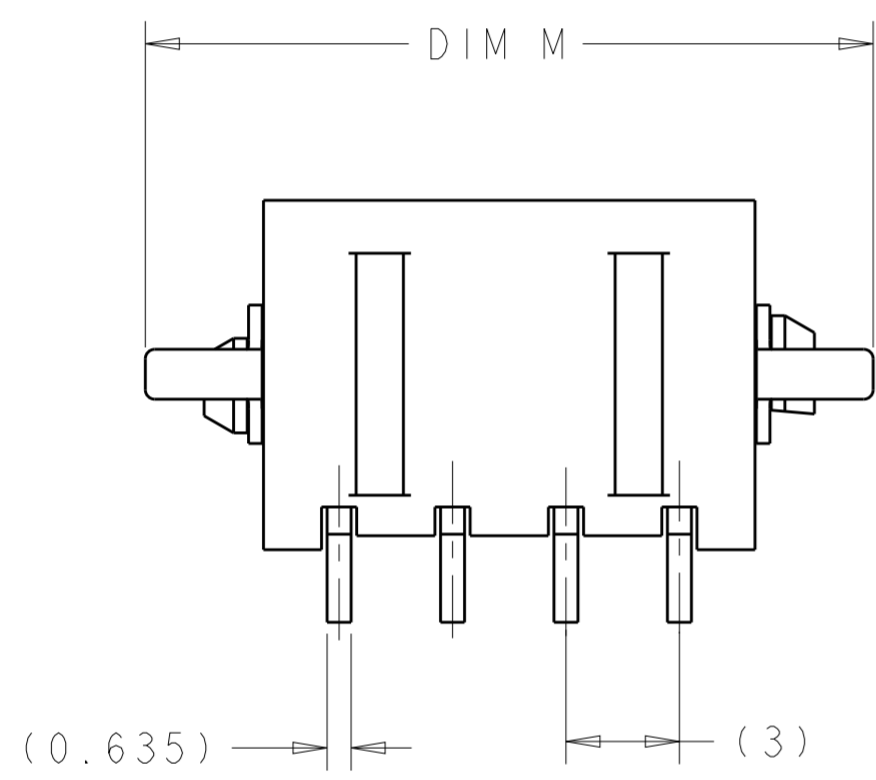


CIRCUIT 1

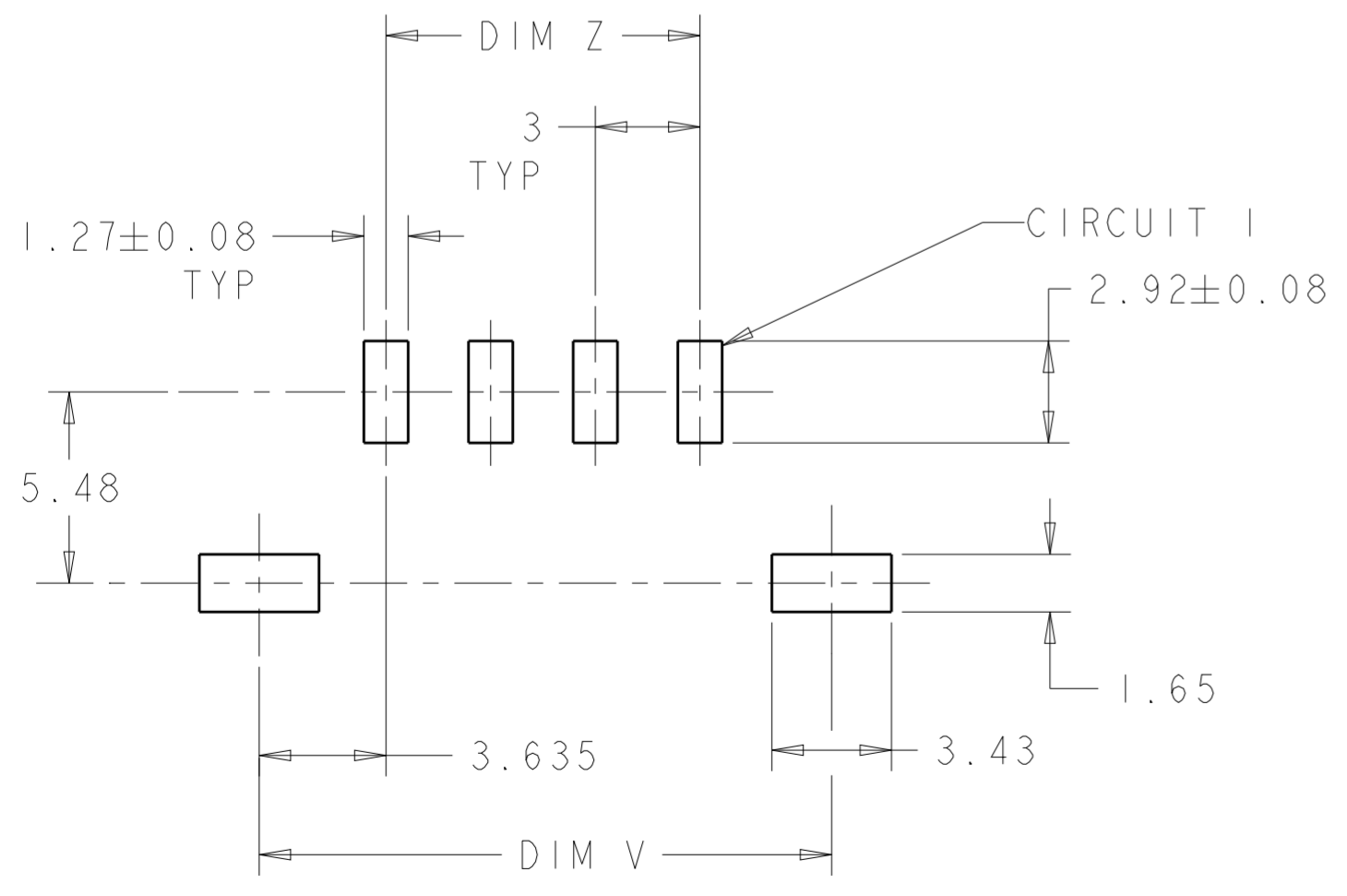


- 1 MATERIAL: CONTACTS - BRASS
HOUSING - UL 94V-0 RATED HIGH TEMP NYLON, COLOR BLACK.
HOLDDOWNS - PHOSPHOR BRONZE.
- 2 PLATING: CONTACTS - 2.54µm MINIMUM TIN OVER 1.27µm MINIMUM NICKEL. LEAD FREE PLATING.
HOLDDOWNS - 2.54µm MINIMUM TIN OVER 1.27µm MINIMUM NICKEL. LEAD FREE PLATING.
- 3 RECOMMENDED PC BOARD THICKNESS OF 1.57.
- 4 PLATING: CONTACTS - 2.54µm MINIMUM TIN OVER 1.27µm MINIMUM NICKEL. LEAD FREE PLATING.
0.762µm MINIMUM GOLD ON MATING END.
HOLDDOWNS - 2.54µm MINIMUM TIN OVER 1.27µm MINIMUM NICKEL. LEAD FREE PLATING.
- 5 PRELIMINARY DRAWING NOT RELEASED FOR PRODUCTION.

0.15
 INCLUDES CONTACT TAILS, HOUSING STANDOFFS, AND BOARDLOCKS



KEYING BY POSITION SIZE



PCB LAYOUT COMPONENT SIDE 3

FINISH	DIM M	DIM Z	DIM W	DIM V	NO. OF POSN	PART NUMBER
4	13.25	3	10	10.41	2	2-2029030-2
4	13.25	3	10	10.41	2	1-2029030-2
2	19.25	9	16	16.41	4	2029030-4
2	16.25	6	13	13.41	3	2029030-3
2	13.25	3	10	10.41	2	2029030-2

THIS DRAWING IS A CONTROLLED DOCUMENT.

DWN: K. WHITAKER 27NOV2007
 CHK: C. JONES 27NOV2007
 APVD: C. JONES 27NOV2007

STE TE Connectivity

NAME: RT ANG SURF MNT HDR ASSY, SGL LATCH, TIN POSTS, SURF MOUNT HOLDDOWNS, SINGLE ROW, MICRO MATE-N-LOK(TM)

PRODUCT SPEC: 108-1836
 APPLICATION SPEC: 114-13000

SIZE: A2 CAGE CODE: 00779 DRAWING NO: C-2029030 RESTRICTED TO: -
 WEIGHT: - SCALE: 5:1 SHEET 1 OF 1 REV: A5

CUSTOMER DRAWING

X-ON Electronics

Largest Supplier of Electrical and Electronic Components

Click to view similar products for [Pin & Socket Connectors](#) category:

Click to view products by [TE Connectivity](#) manufacturer:

Other Similar products are found below :

[6450822-1](#) [770392-1](#) [794042-1](#) [796885-1](#) [8-794535-1](#) [PLR3455ACS-222](#) [R929991004](#) [R929993003](#) [1403611-1](#) [1-480349-5](#) [152302-5](#)
[153211-2](#) [1586092-1](#) [1586129-1](#) [1586681-4](#) [1586700-1](#) [1586368-1](#) [1586380-1](#) [1586616-1](#) [1586680-5](#) [16-06-0038](#) [164164-5](#) [1-6609930-1](#)
[172296-1](#) [19-09-2035](#) [200503-1](#) [200788-2](#) [2029090-4](#) [2029095-4](#) [925061-7](#) [293734-4](#) [293737-2](#) [1-765362-4](#) [1871534-1](#) [200833-4](#)
[2008625-2](#) [2029027-2](#) [2029096-4](#) [R929991000](#) [R929991002](#) [R929993000](#) [319-10-101-00-005000](#) [319-10-102-00-001000](#) [319-10-104-00-001000](#) [319-10-105-00-001000](#) [319-10-108-00-001000](#) [319-10-112-00-006000](#) [39-01-8019](#) [319-10-101-00-001000](#) [319-10-102-00-005000](#)