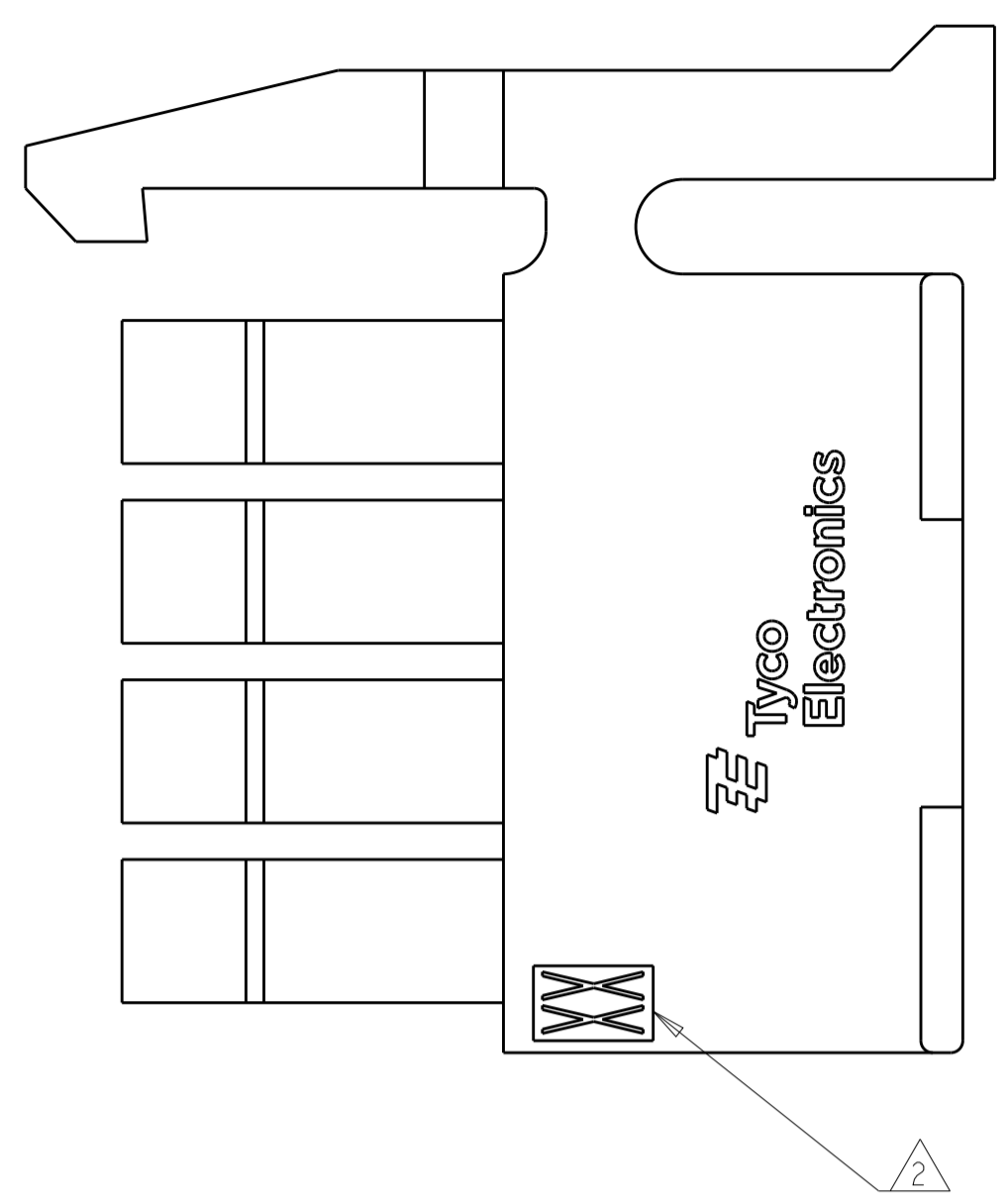
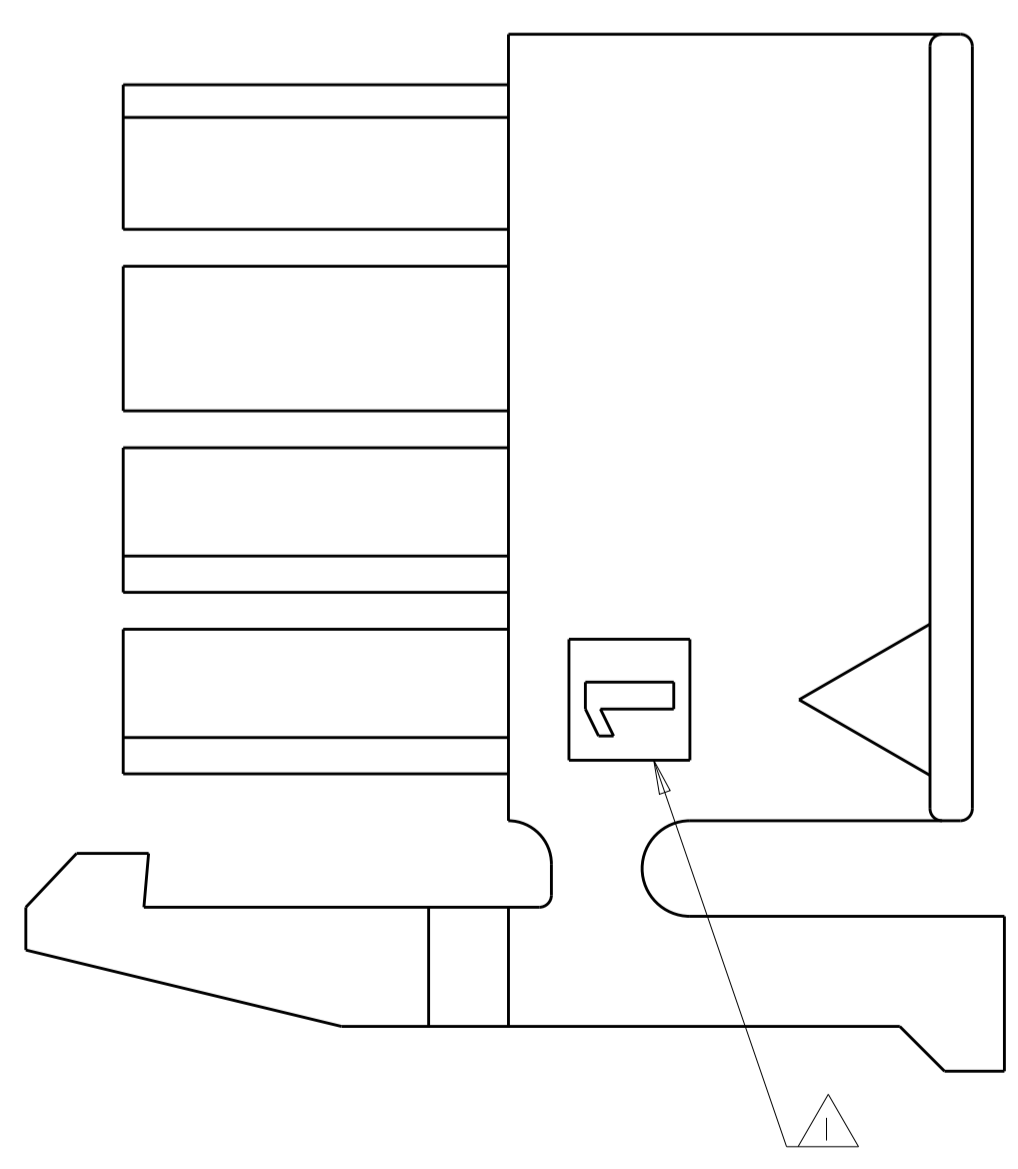
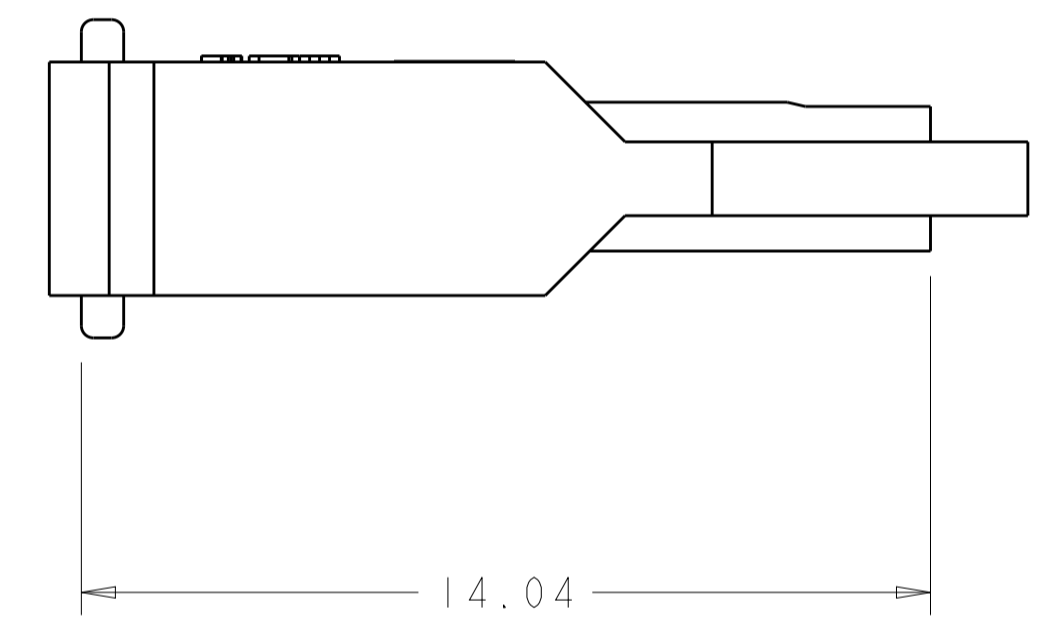
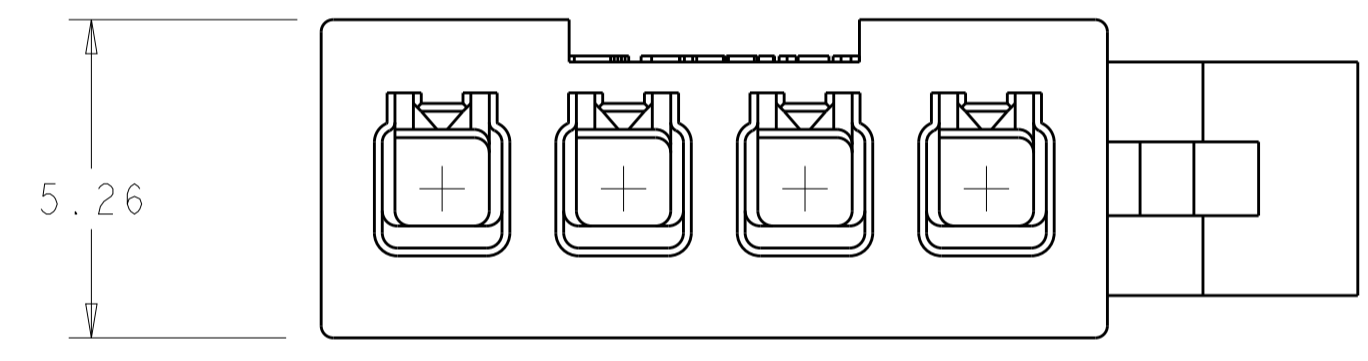
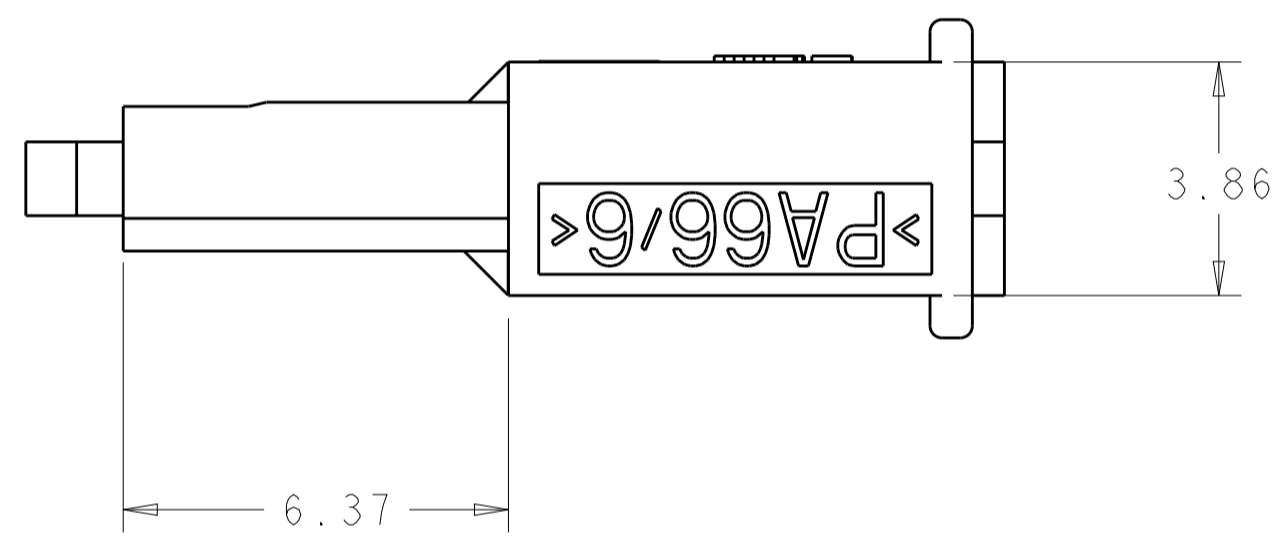
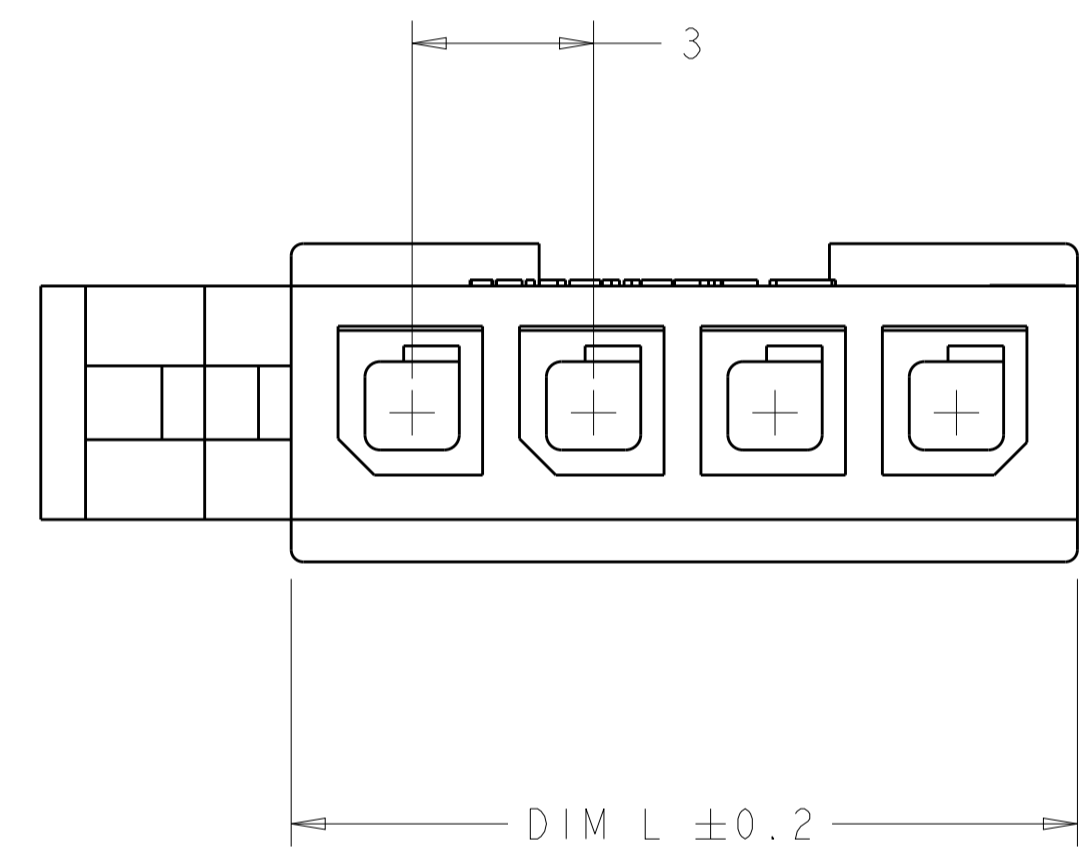


| LOC | DIST | REVISIONS                 |           |     |      |
|-----|------|---------------------------|-----------|-----|------|
| P   | LTN  | DESCRIPTION               | DATE      | DMN | APVD |
| B   |      | REVISED PER ECO-17-000100 | 03MAR2017 | CX  | DZ   |
| B1  |      | REVISED PER ECO-17-007352 | 10MAY2017 | CX  | DZ   |
| B2  |      | ECO-19-004882             | 10APR2019 | AP  | WLS  |
| B3  |      | REVISED PER ECN-20-100715 | 30NOV2020 | WLS | VS   |



- ① CIRCUIT 1 IDENTIFIER, LOCATED APPROXIMATELY AS SHOWN.
- ② LAST CIRCUIT IDENTIFIER, LOCATED APPROXIMATELY AS SHOWN.
- ③ MATERIAL NYLON66/6 VO UL94 .
- ④ MATERIAL PA66 VO GW UL94 .
- ⑤ PRELIMINARY PART NOT RELEASED FOR PRODUCTION.



| OBsolete | ④ | ⑤ | VOLUME mm <sup>3</sup> | DIM L | NO OF POS. | PART NO.  |
|----------|---|---|------------------------|-------|------------|-----------|
|          |   |   | 272.6                  | 7     | 2          | 2029047-2 |
|          | ③ |   | 434.05                 | 13    | 4          | 2029047-4 |
|          | ③ |   | 353.32                 | 10    | 3          | 2029047-3 |
|          | ③ |   | 272.6                  | 7     | 2          | 2029047-2 |

|  |             |                            |   |  |
|--|-------------|----------------------------|---|--|
| THIS DRAWING IS A CONTROLLED DOCUMENT. |             | DMN: R. WHITAKER 03JAN2008 | <b>STE</b> TE Connectivity  |  |
| DIMENSIONS: mm                         |             | CHK: C. JONES 03JAN2008    |   |  |
| TOLERANCES UNLESS OTHERWISE SPECIFIED: |             | APVD: C. JONES 03JAN2008   | NAME: RECEPTACLE HOUSING, SPECIAL, SINGLE ROW, MICRO MATE-L-LOK(TM) |  |
| 0 PLC ±                                | 1 PLC ±0.13 | PRODUCT SPEC 108-1836      | SIZE: A100779C=2029047  |  |
| 2 PLC ±                                | 3 PLC ±     | APPLICATION SPEC 114-13000 | RESTRICTED TO: -  |  |
| 4 PLC ±                                | ANGLES ±1°  | WEIGHT -                   | SCALE: 8:1 SHEET 1 OF 1 REV: B3                                     |  |
| MATERIAL: NYLON, UL94V-0 BLACK         | FINISH: -   | RESTRICTED CUSTOMER        |   |  |

## X-ON Electronics

Largest Supplier of Electrical and Electronic Components

*Click to view similar products for [Pin & Socket Connectors](#) category:*

*Click to view products by [TE Connectivity](#) manufacturer:*

Other Similar products are found below :

[6450822-1](#) [770392-1](#) [794042-1](#) [796885-1](#) [8-794535-1](#) [PLR3455ACS-222](#) [R929991004](#) [R929993003](#) [1403611-1](#) [1-480349-5](#) [152302-5](#)  
[153211-2](#) [1586092-1](#) [1586129-1](#) [1586681-4](#) [1586700-1](#) [1586368-1](#) [1586380-1](#) [1586616-1](#) [1586680-5](#) [16-06-0038](#) [164164-5](#) [1-6609930-1](#)  
[172296-1](#) [19-09-2035](#) [200503-1](#) [200788-2](#) [2029090-4](#) [2029095-4](#) [925061-7](#) [293734-4](#) [293737-2](#) [1-765362-4](#) [1871534-1](#) [200833-4](#)  
[2008625-2](#) [2029027-2](#) [2029096-4](#) [R929991000](#) [R929991002](#) [R929993000](#) [319-10-101-00-005000](#) [319-10-102-00-001000](#) [319-10-104-00-001000](#) [319-10-105-00-001000](#) [319-10-108-00-001000](#) [319-10-112-00-006000](#) [39-01-8019](#) [319-10-101-00-001000](#) [319-10-102-00-005000](#)