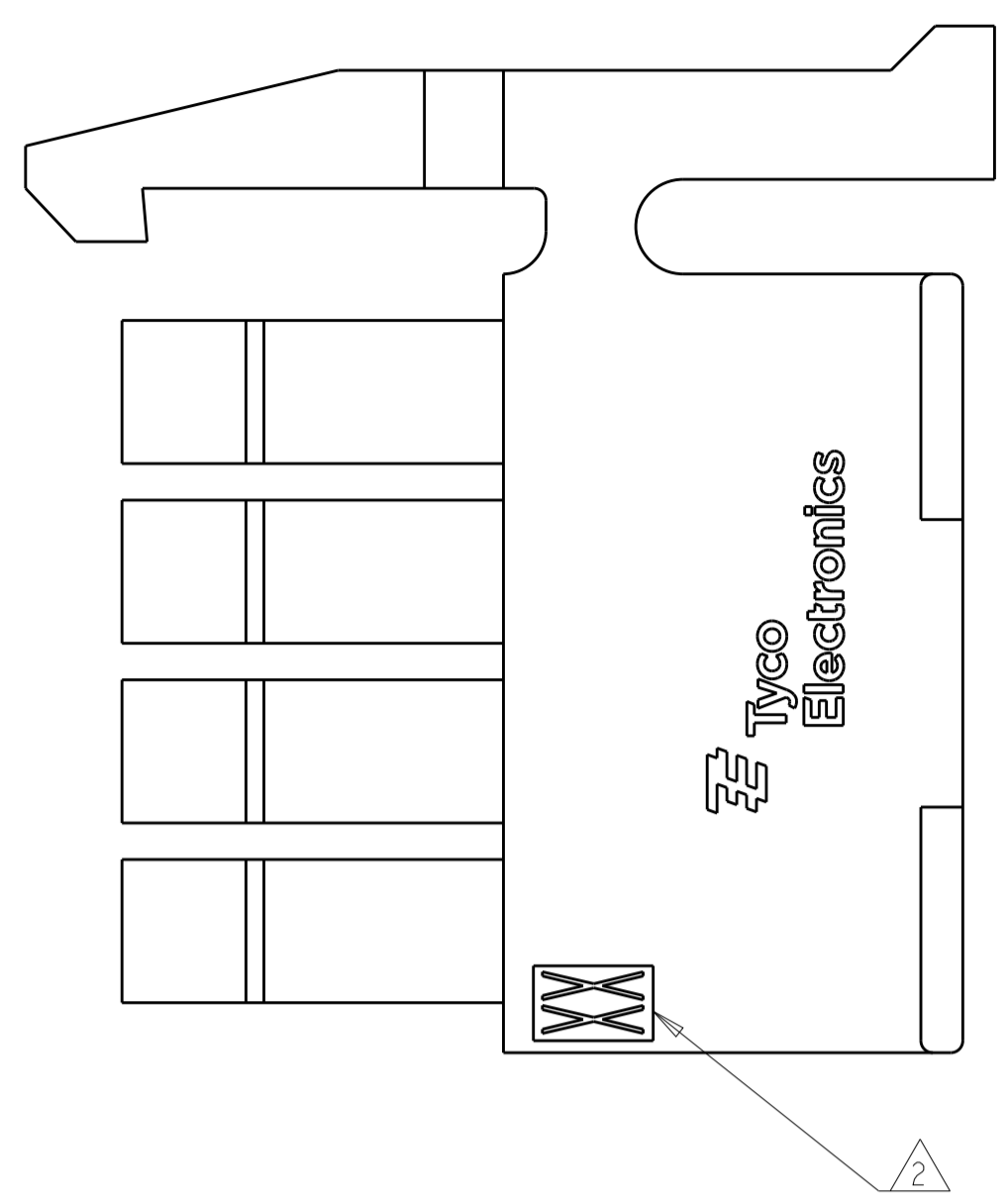
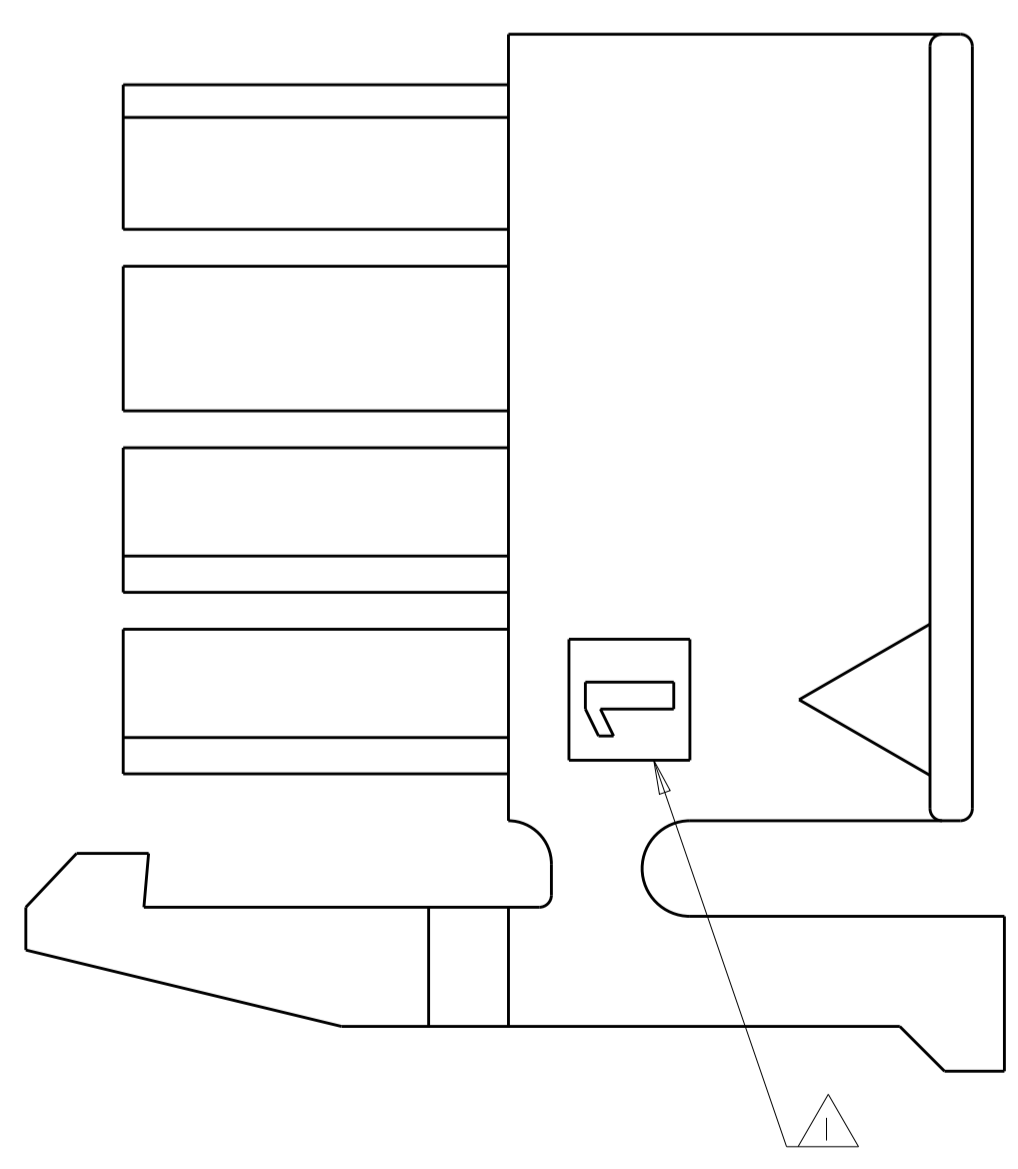
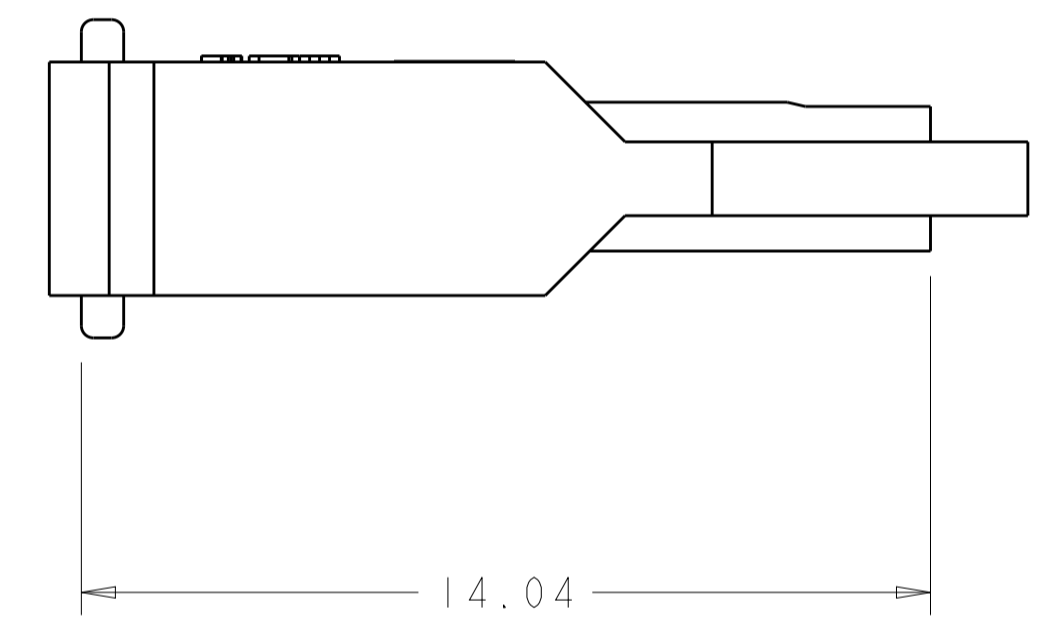
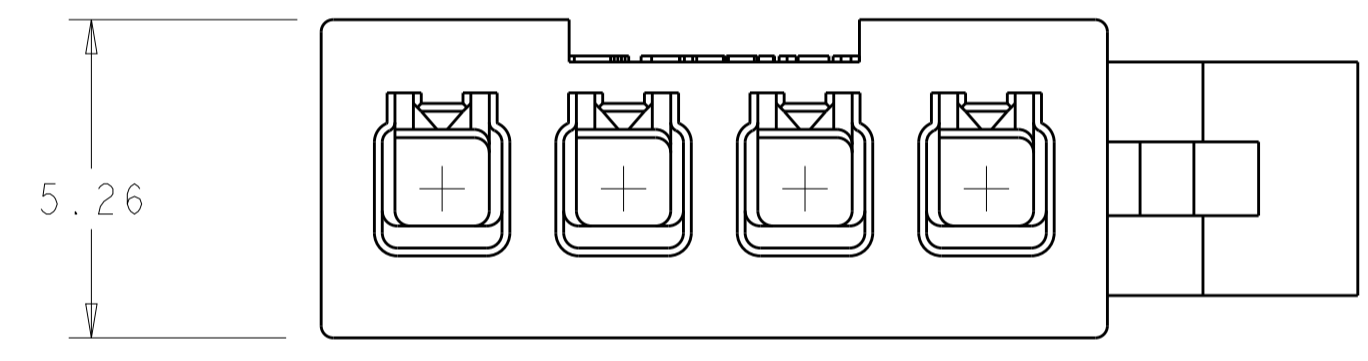
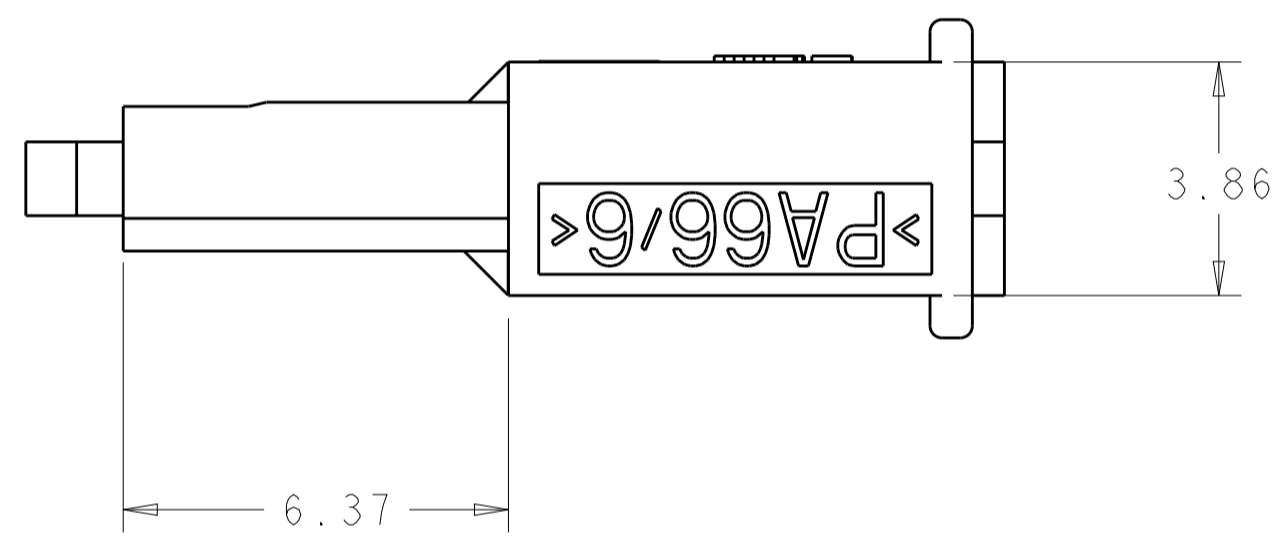
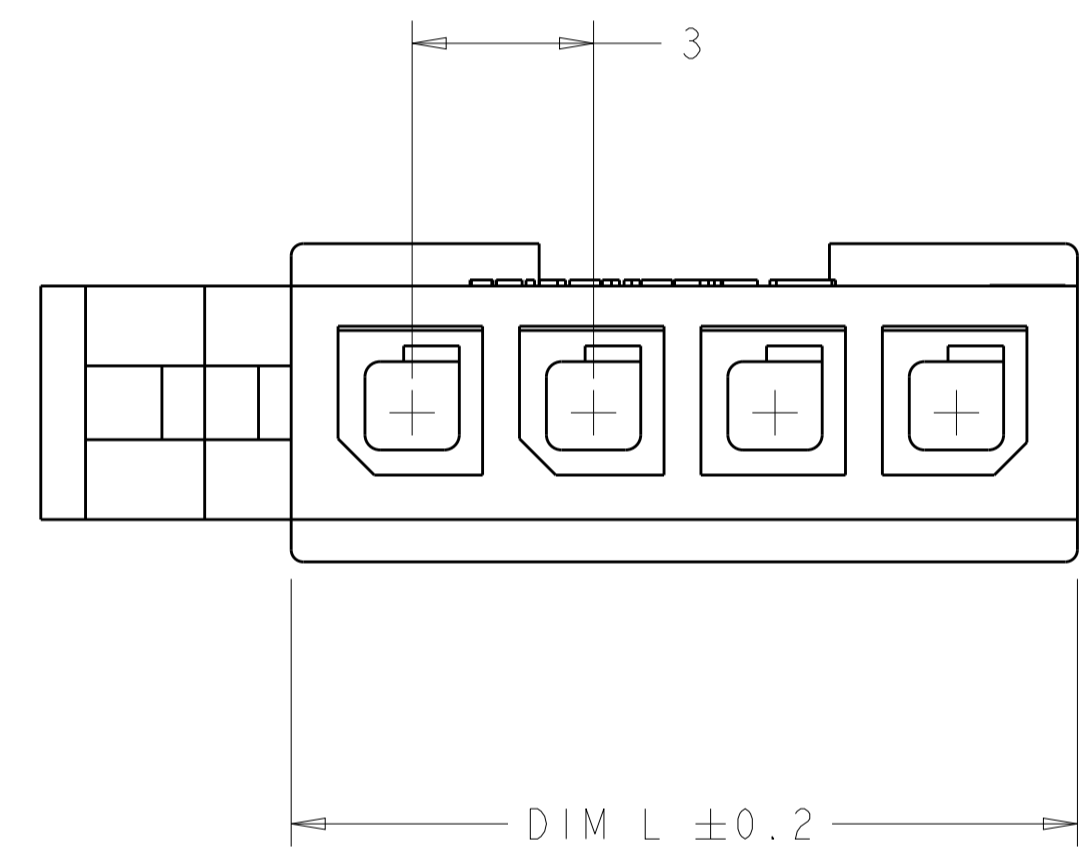


LOC	DIST	REVISIONS			
P	LTN	DESCRIPTION	DATE	DWN	APVD
B		REVISED PER ECO-17-000100	03MAR2017	CX	DZ
B1		REVISED PER ECO-17-007352	10MAY2017	CX	DZ
B2		ECO-19-004882	10APR2019	AP	WLS
B3		REVISED PER ECN-20-100715	30NOV2020	WLS	VS



- ① CIRCUIT 1 IDENTIFIER, LOCATED APPROXIMATELY AS SHOWN.
- ② LAST CIRCUIT IDENTIFIER, LOCATED APPROXIMATELY AS SHOWN.
- ③ MATERIAL NYLON66/6 VO UL94 .
- ④ MATERIAL PA66 VO GW UL94 .
- ⑤ PRELIMINARY PART NOT RELEASED FOR PRODUCTION.



OBsolete	④	⑤	VOLUME mm <sup>3</sup>	DIM L	NO OF POS.	PART NO.
			272.6	7	2	2029047-2
	③		434.05	13	4	2029047-4
	③		353.32	10	3	2029047-3
	③		272.6	7	2	2029047-2

THIS DRAWING IS A CONTROLLED DOCUMENT.		DWN: R. WHITAKER 03JAN2008	TE Connectivity	
DIMENSIONS: mm		CHK: C. JONES 03JAN2008		
TOLERANCES UNLESS OTHERWISE SPECIFIED:		APVD: C. JONES 03JAN2008	NAME: RECEPTACLE HOUSING, SPECIAL, SINGLE ROW, MICRO MATE-L-LOK(TM)	
0 PLC ±		PRODUCT SPEC	SIZE: CAGE CODE DRAWING NO	
1 PLC ±0.13		108-1836	RESTRICTED TO	
2 PLC ±		APPLICATION SPEC	A100779C=2029047	
3 PLC ±		114-13000	SCALE: 8:1 SHEET 1 OF 1 REV: B3	
4 PLC ±		WEIGHT		
ANGLES ±1°		RESTRICTED CUSTOMER		
MATERIAL: NYLON, UL94V-0 BLACK				

## X-ON Electronics

Largest Supplier of Electrical and Electronic Components

*Click to view similar products for [Pin & Socket Connectors](#) category:*

*Click to view products by [TE Connectivity](#) manufacturer:*

Other Similar products are found below :

[6450822-1](#) [770392-1](#) [794042-1](#) [796885-1](#) [8-794535-1](#) [PLR3455ACS-222](#) [R929991004](#) [R929993003](#) [1403611-1](#) [1-480349-5](#) [152302-5](#)  
[153211-2](#) [1586092-1](#) [1586129-1](#) [1586681-4](#) [1586700-1](#) [1586368-1](#) [1586380-1](#) [1586616-1](#) [1586680-5](#) [16-06-0038](#) [164164-5](#) [1-6609930-1](#)  
[172296-1](#) [19-09-2035](#) [200503-1](#) [200788-2](#) [2029090-4](#) [2029095-4](#) [925061-7](#) [293734-4](#) [293737-2](#) [1-765362-4](#) [1871534-1](#) [200833-4](#)  
[2008625-2](#) [2029027-2](#) [2029096-4](#) [R929991000](#) [R929991002](#) [R929993000](#) [319-10-101-00-005000](#) [319-10-102-00-001000](#) [319-10-104-00-001000](#) [319-10-105-00-001000](#) [319-10-108-00-001000](#) [319-10-112-00-006000](#) [39-01-8019](#) [319-10-101-00-001000](#) [319-10-102-00-005000](#)