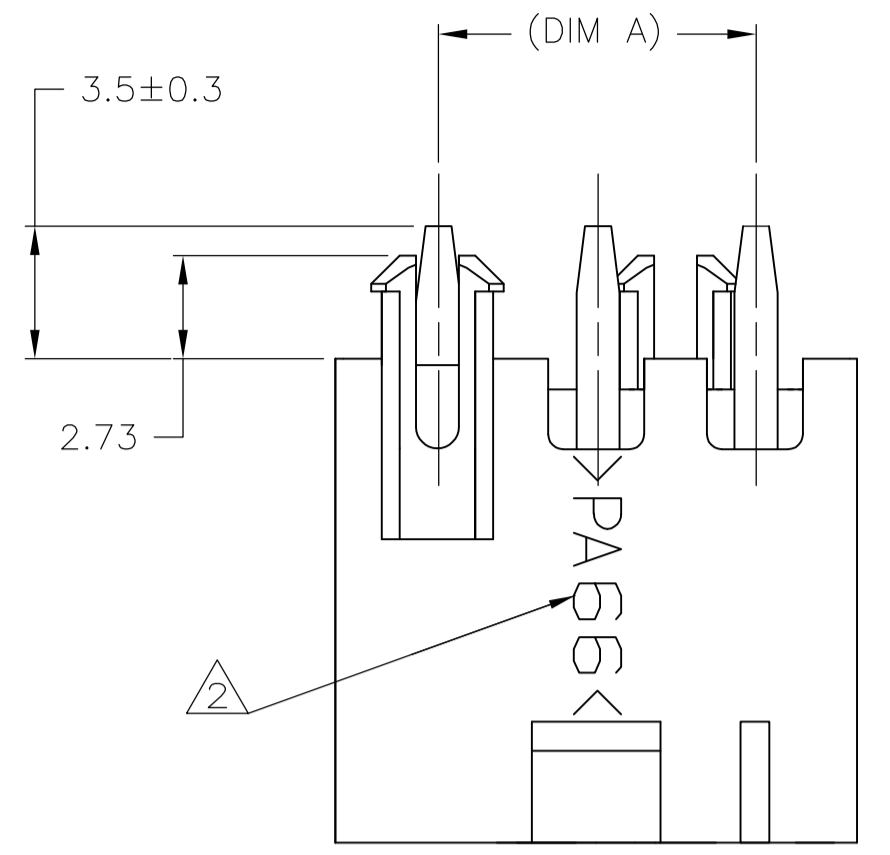
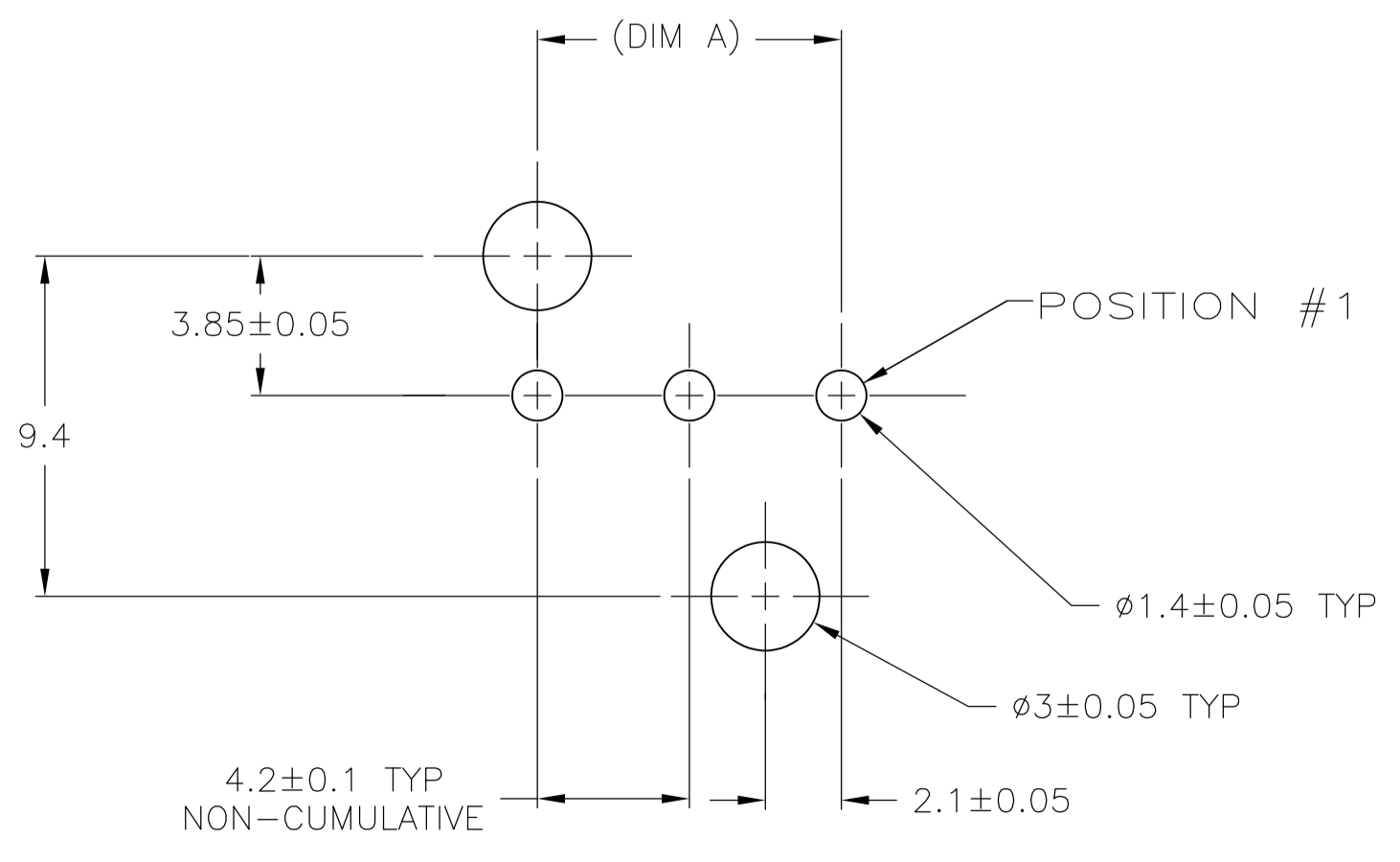
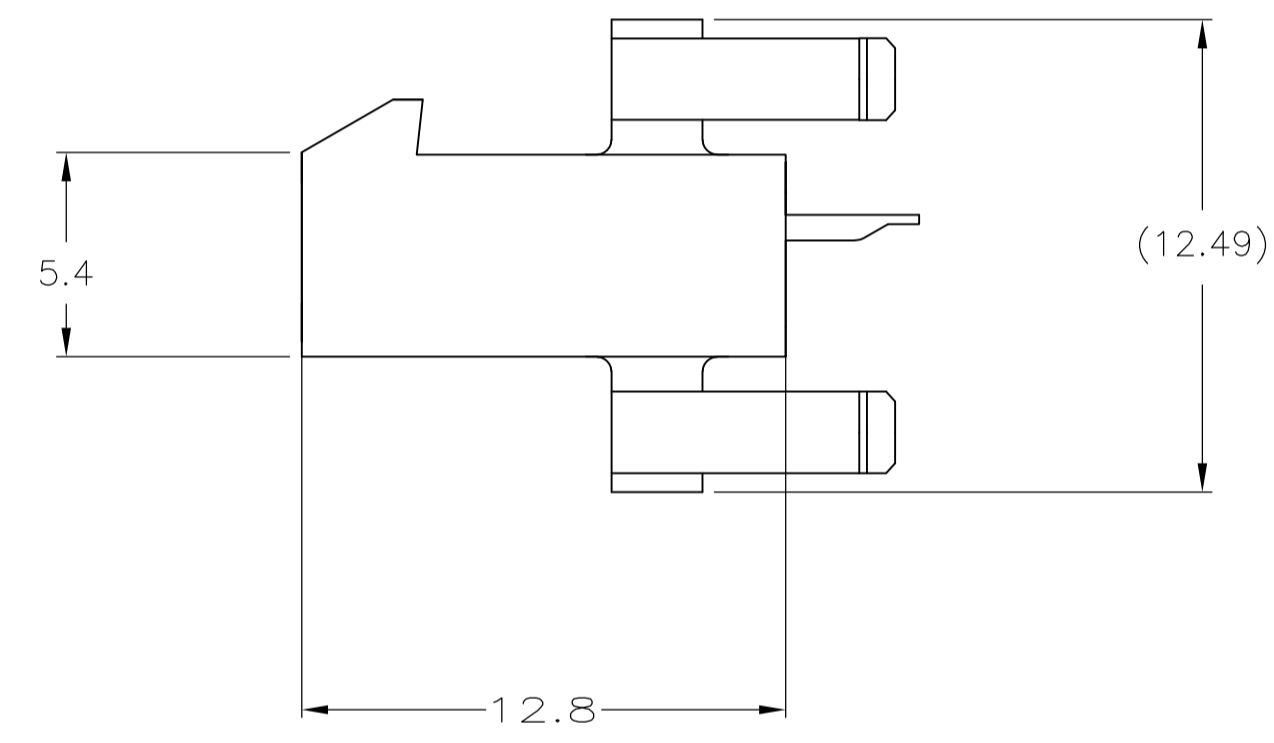
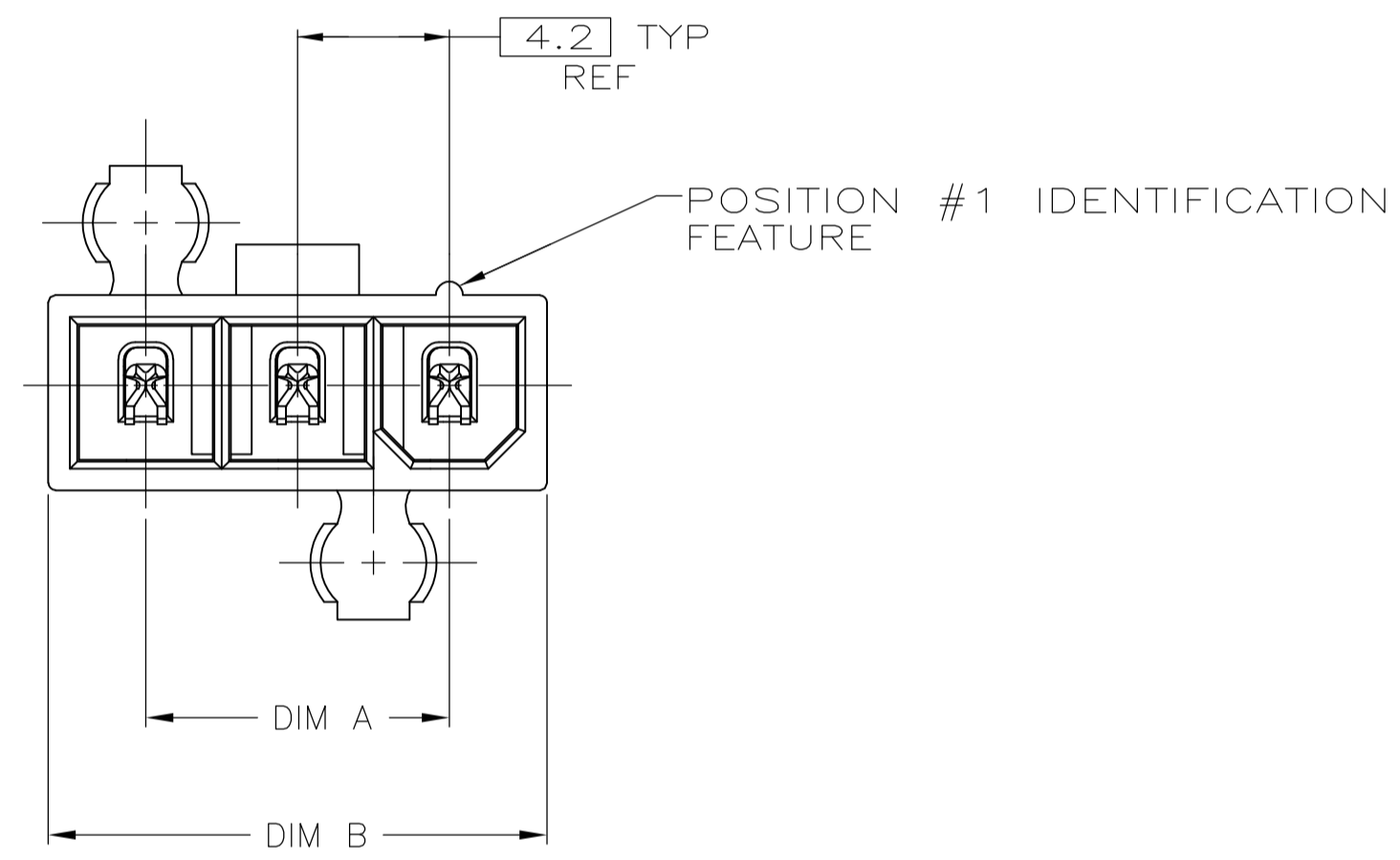


LOC		DIST		REVISIONS			
CM	00	REV	DESCRIPTION	DATE	BY	APPV	
		A1	REVISED PER ECR-11-017436	29AUG11	HMR	SM	
		A2	REVISED PER ECR-14-018446	10DEC14	A.Z	D.Z	

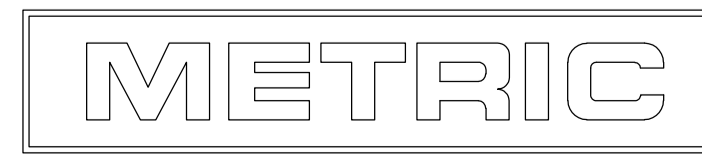


- 1 MATERIAL: HOUSING-NYLON, UL94V-2 (COLOR-NATURAL, COLOR OF PARTS MAY VARY) CONTACTS-0.25 [.010] THICK BRASS ALLOY.
- 2 TYCO ELECTRONICS LOGO AND MATERIAL ID MAY BE LOCATED ON EITHER LONG SIDE OF PART.
- 3 CONTACT FINISH: 0.002032 [.000080] MIN MATTE TIN OVER 0.000381 [.000015] MIN NICKEL OVER ENTIRE CONTACT.
- 4 MATES WITH VAL-U-LOK(TM) RECEPTACLE HOUSINGS.
- 5 PRELIMINARY-NOT FOR PRODUCTION.



RECOMMENDED MOUNTING HOLE PATTERN FOR 1.78 MAX THICK P.C. BOARD COMPONENT SIDE SHOWN

POST NO.(S) OMITTED	DIM B	DIM A	NO. OF POSITIONS	PART NO
2,3	18	12.6	4	2-2029054-4
NONE	22.2	16.8	5	2029054-5
NONE	18	12.6	4	2029054-4
NONE	13.8	8.4	3	2029054-3



THIS DRAWING IS A CONTROLLED DOCUMENT.

DIMENSIONS: mm	TOLERANCES UNLESS OTHERWISE SPECIFIED:	DIN K. WHITAKER 11JAN2008	TE Connectivity
0 PLC ± -	1 PLC ± 0.2	CHK C. CASH 11JAN2008	NAME
2 PLC ± 0.13	3 PLC ± -	APVD C. CASH 11JAN2008	PLUG ASSEMBLY, VERTICAL, SINGLE ROW, 94V-2, W/ DRAIN HOLES, VAL-U-LOK(TM)
4 PLC ± -	ANGLES ± 0°30'	PRODUCT SPEC	SIZE
MATERIAL	FINISH	APPLICATION SPEC	WEIGHT
		RESTRICTED TO	
		CUSTOMER DRAWING	SCALE N/A SHEET 1 OF 1 REV A2

## X-ON Electronics

Largest Supplier of Electrical and Electronic Components

*Click to view similar products for [Headers & Wire Housings](#) category:*

*Click to view products by [TE Connectivity](#) manufacturer:*

Other Similar products are found below :

[892-18-020-10-001101](#) [58102-G61-06LF](#) [582553-1](#) [0009485154](#) [009176003701906](#) [0050291907](#) [LY20-4P-DT1-P1E-BR](#) [02.125.8002.8](#)  
[609-3404](#) [61062-3](#) [61082-181009](#) [622-3653LF](#) [63453-116](#) [636-1030](#) [636-1427](#) [636-3427](#) [636-4007](#) [641938-9](#) [641991-4](#) [644827-2](#) [65817-](#)  
[010LF](#) [65817-015LF](#) [65863-015LF](#) [66207-023LF](#) [67095-007LF](#) [67601157](#) [68645-018](#) [68648-049](#) [70.362.1628.0](#) [70-4210](#) [70-4226B](#) [70-](#)  
[4853B](#) [707-5020](#) [707-5028](#) [71.350.2428.0](#) [71918-208LF](#) [71961-016LF](#) [733-134](#) [733-162](#) [754199-000](#) [760-3052](#) [79531-3000](#) [FCN-](#)  
[360C032-B](#) [FCN-367T-T012/H](#) [FCN-723D010/2](#) [80.063.4001.1](#) [800-90-001-10-001000](#) [800-90-010-10-002000](#) [801-43-002-10-013000](#)  
[801-43-006-10-002000](#)