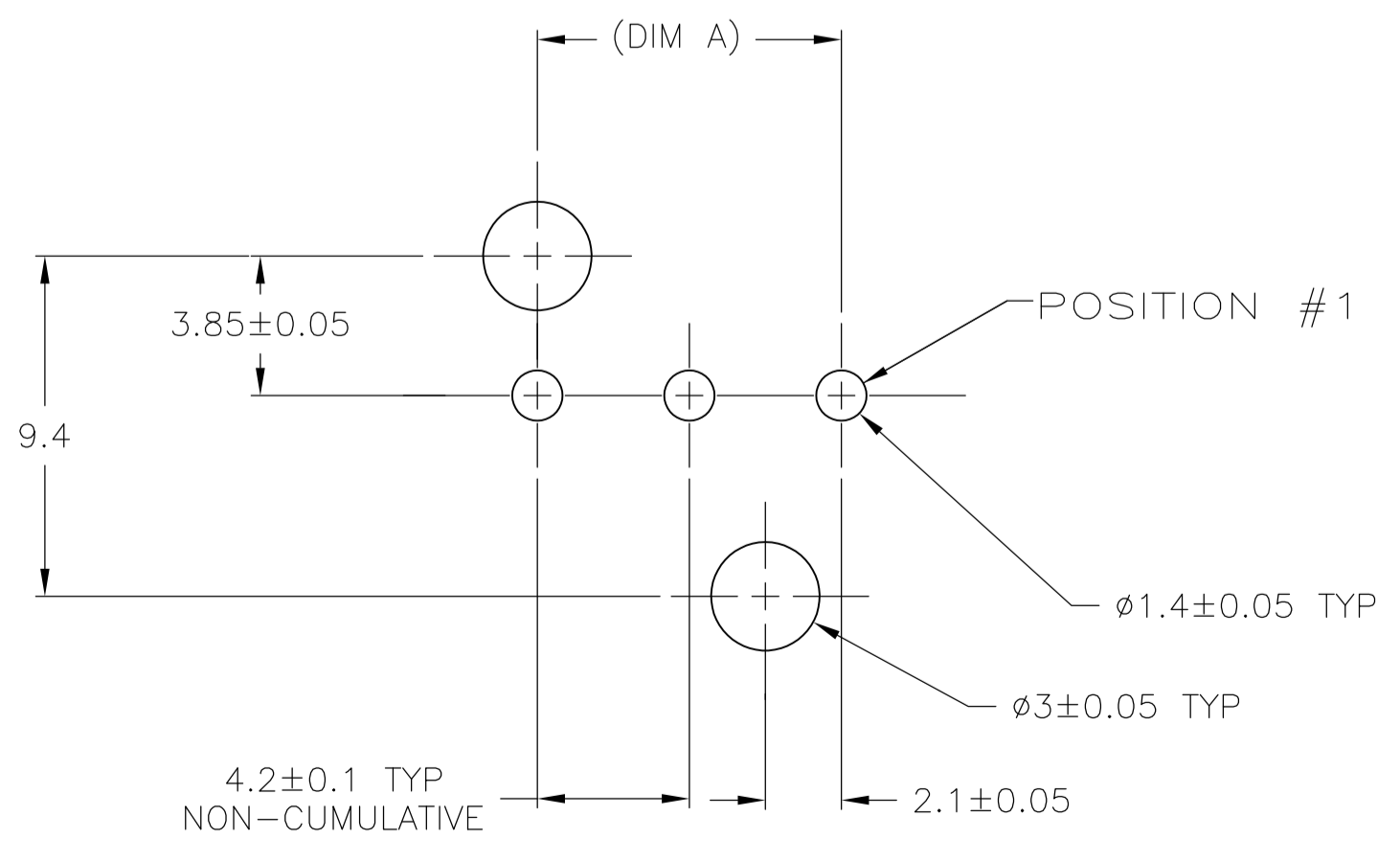
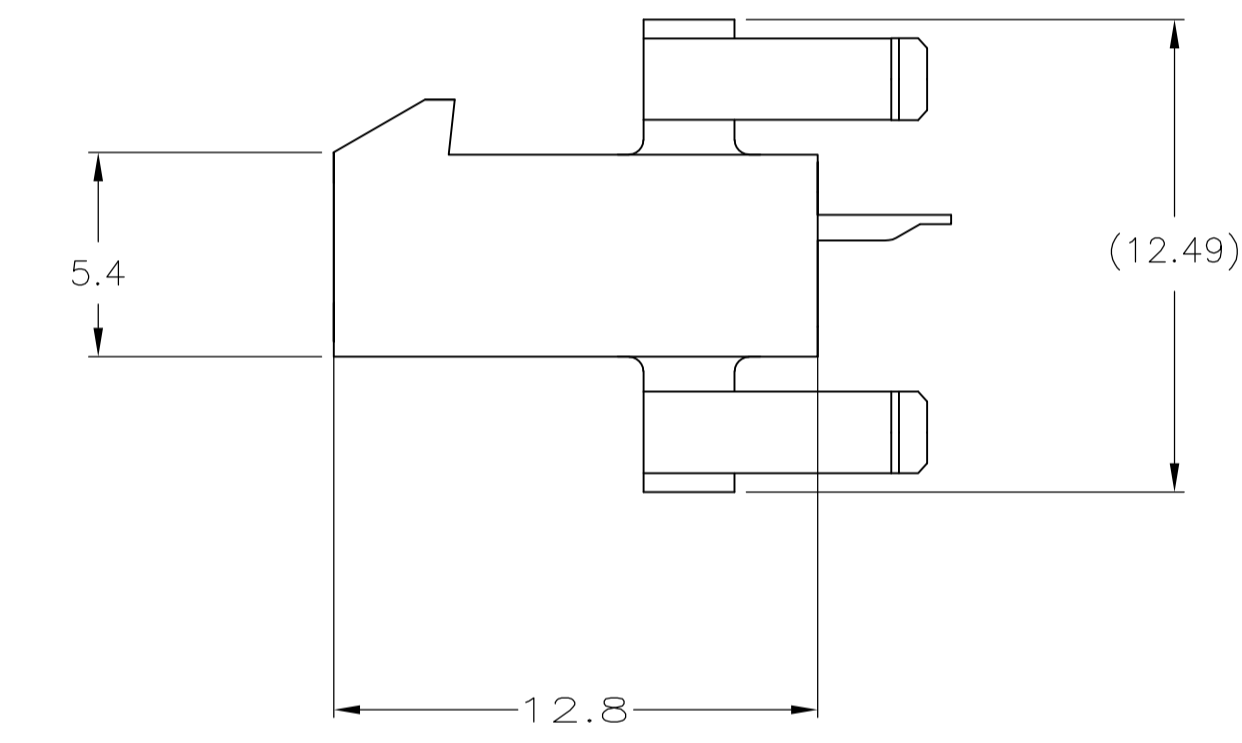
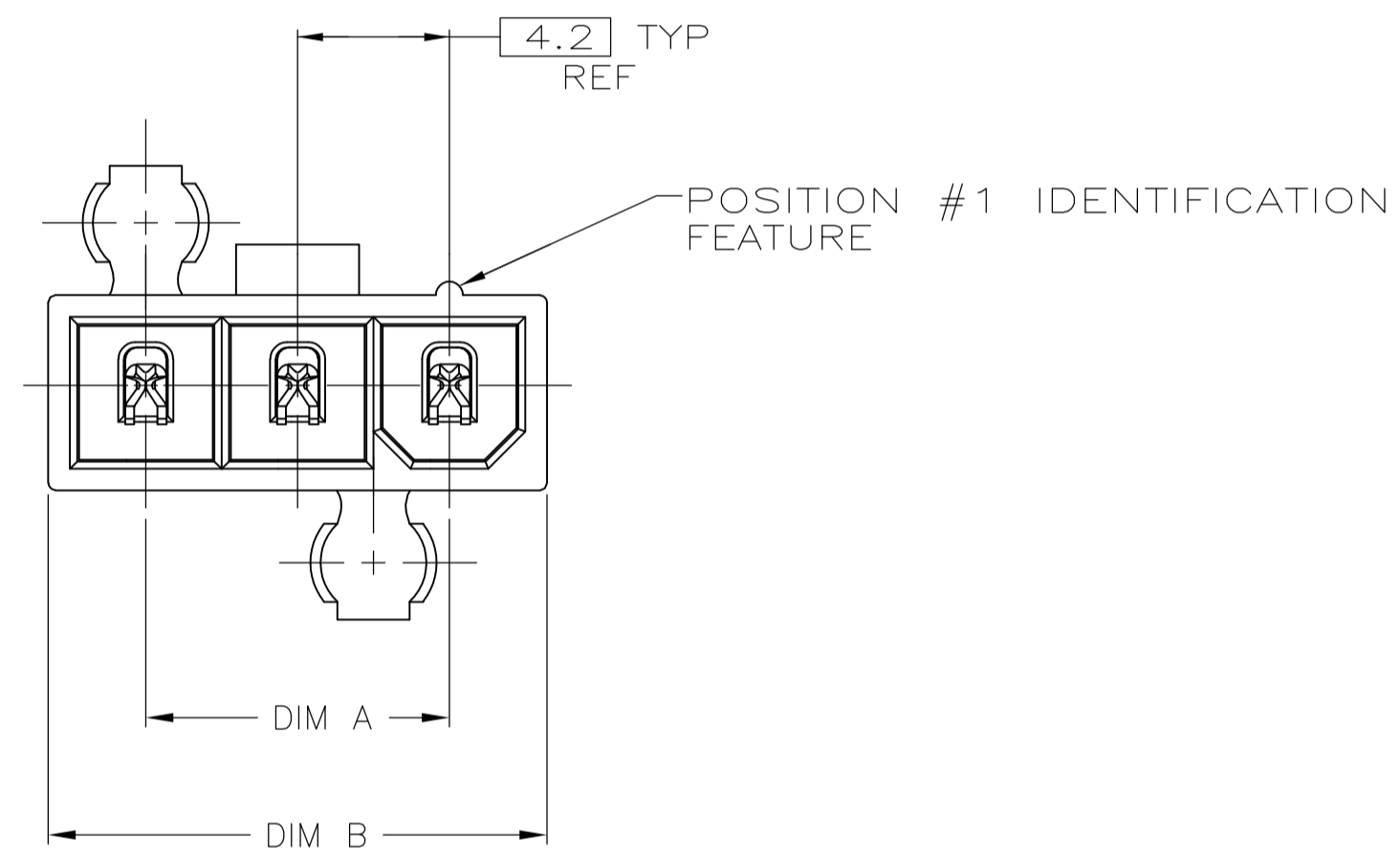
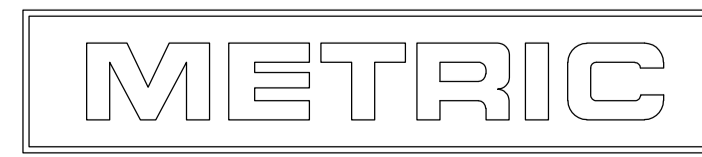


- 1 MATERIAL: HOUSING-NYLON, UL94V-2 (COLOR-NATURAL, COLOR OF PARTS MAY VARY) CONTACTS-0.25 [.010] THICK BRASS ALLOY.
- 2 TYCO ELECTRONICS LOGO AND MATERIAL ID MAY BE LOCATED ON EITHER LONG SIDE OF PART.
- 3 CONTACT FINISH: 0.002032 [.000080] MIN MATTE TIN OVER 0.000381 [.000015] MIN NICKEL OVER ENTIRE CONTACT.
- 4 MATES WITH VAL-U-LOK(TM) RECEPTACLE HOUSINGS.



RECOMMENDED MOUNTING HOLE PATTERN FOR 1.78 MAX THICK P.C. BOARD COMPONENT SIDE SHOWN

| 22.2 | 16.8 | 5 | 2029058-5 |
|-------|-------|------------------|-----------|
| 18 | 12.6 | 4 | 2029058-4 |
| 13.8 | 8.4 | 3 | 2029058-3 |
| DIM B | DIM A | NO. OF POSITIONS | PART NO |



| | | | |
|--|---------|--|--------------------|
| THIS DRAWING IS A CONTROLLED DOCUMENT. | | DIN K. WHITAKER 11JAN2008 | |
| DIMENSIONS: mm | | CHK C. CASH 11JAN2008 | |
| TOLERANCES UNLESS OTHERWISE SPECIFIED: | | APPV C. CASH 11JAN2008 | |
| 0 PLC | ± - | NAME | |
| 1 PLC | ± 0.2 | PLUG ASSEMBLY, VERTICAL, SINGLE ROW, 94V-2, W/O DRAIN HOLES, VAL-U-LOK(TM) | |
| 2 PLC | ± 0.13 | SIZE | |
| 3 PLC | ± - | CAGE CODE | |
| 4 PLC | ± - | DRAWING NO | |
| ANGLES | ± 0°30' | RESTRICTED TO | |
| MATERIAL | FINISH | WEIGHT | A1 00779 C=2029058 |
| CUSTOMER DRAWING | | SCALE | 5:1 |
| | | SHEET | 1 OF 1 |
| | | REV | A1 |

X-ON Electronics

Largest Supplier of Electrical and Electronic Components

Click to view similar products for [Headers & Wire Housings](#) category:

Click to view products by [TE Connectivity](#) manufacturer:

Other Similar products are found below :

[892-18-020-10-001101](#) [58102-G61-06LF](#) [582553-1](#) [0009485154](#) [009176003701906](#) [0050291907](#) [LY20-4P-DT1-P1E-BR](#) [02.125.8002.8](#)
[609-3404](#) [61062-3](#) [61082-181009](#) [622-3653LF](#) [63453-116](#) [636-1030](#) [636-1427](#) [636-3427](#) [636-4007](#) [641938-9](#) [641991-4](#) [644827-2](#) [65817-010LF](#) [65817-015LF](#) [65863-015LF](#) [66207-023LF](#) [67095-007LF](#) [67601157](#) [68645-018](#) [68648-049](#) [70.362.1628.0](#) [70-4210](#) [70-4226B](#) [70-4853B](#) [707-5020](#) [707-5028](#) [71.350.2428.0](#) [71918-208LF](#) [71961-016LF](#) [733-134](#) [733-162](#) [754199-000](#) [760-3052](#) [787-8014-00](#) [79531-3000](#)
[FCN-360C032-B](#) [FCN-367T-T012/H](#) [FCN-723D010/2](#) [80.063.4001.1](#) [800-90-001-10-001000](#) [800-90-010-10-002000](#) [801-43-002-10-013000](#)