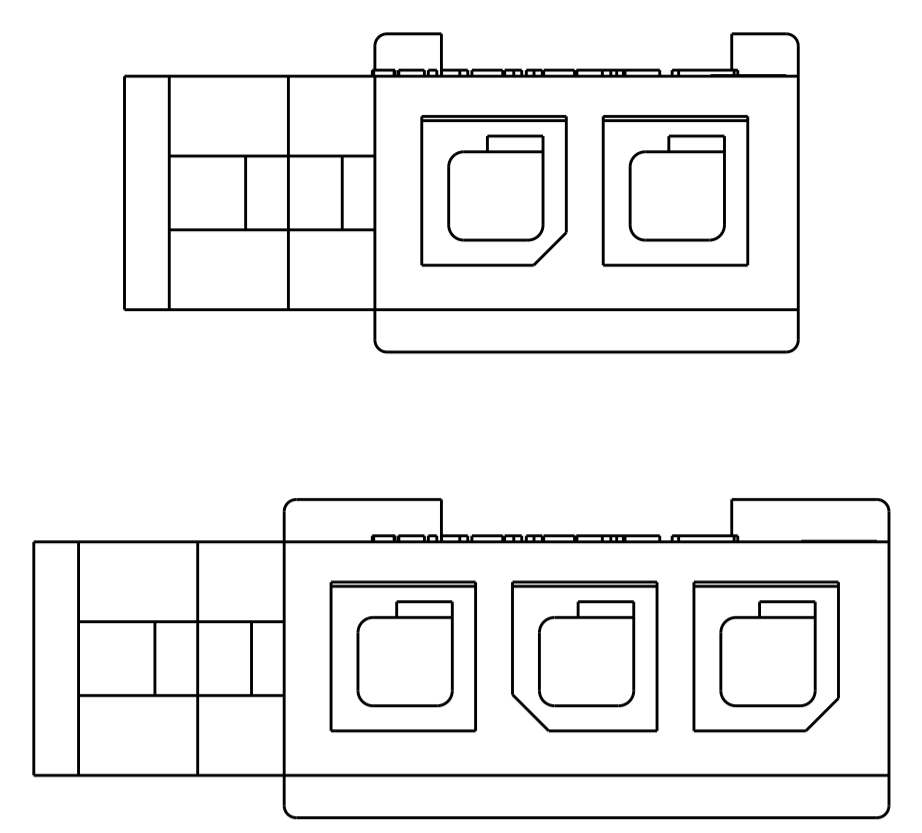
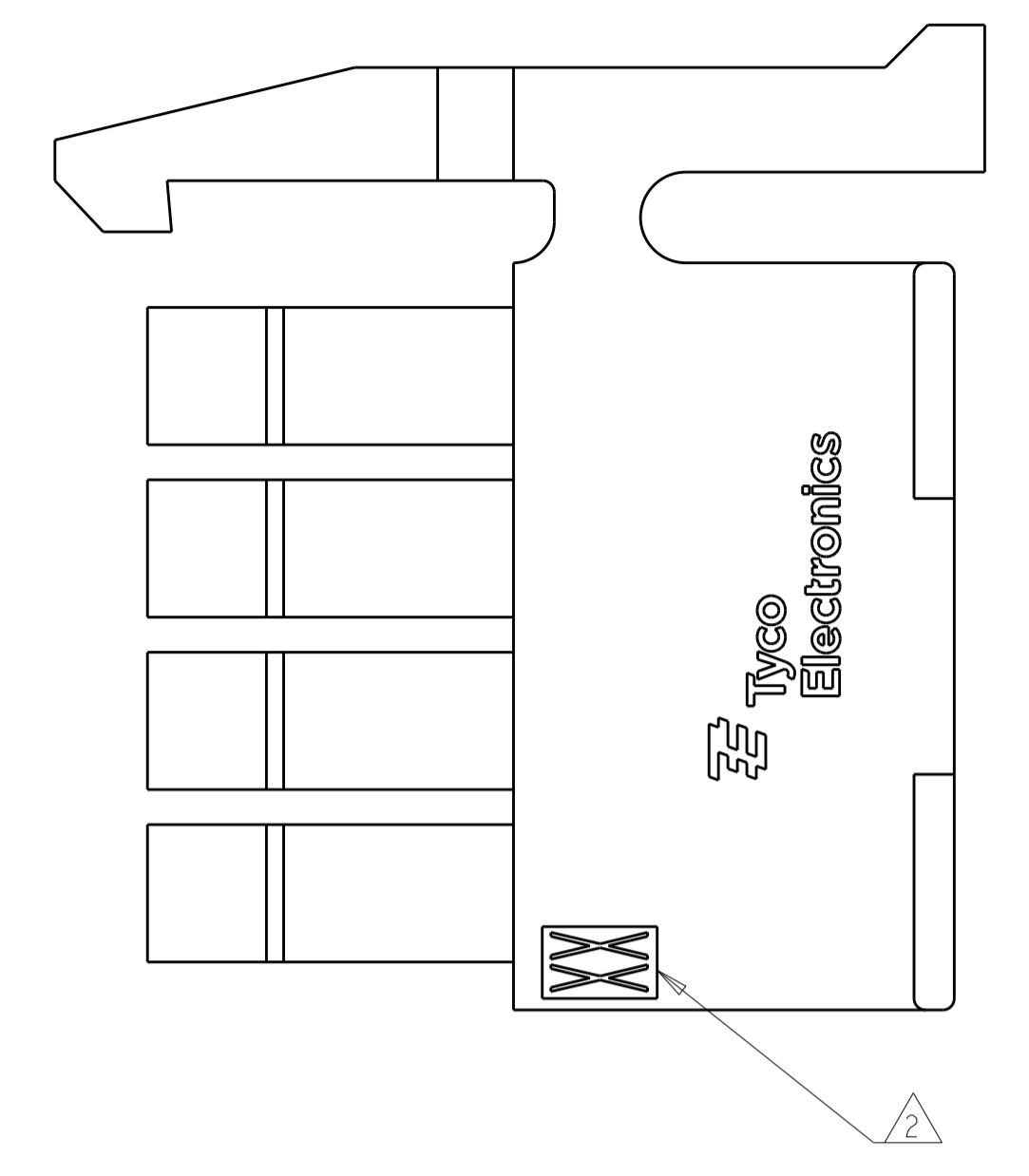


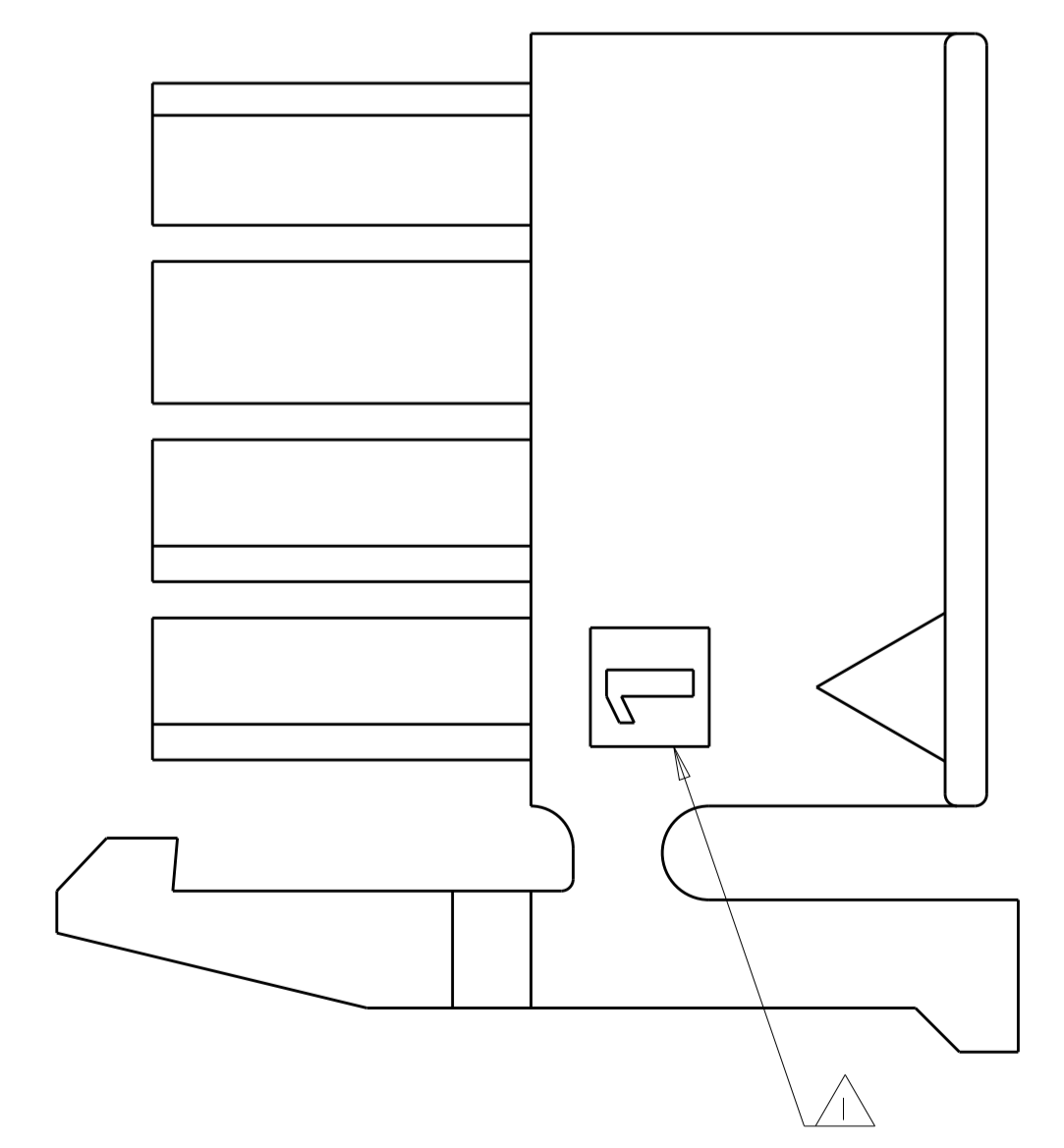
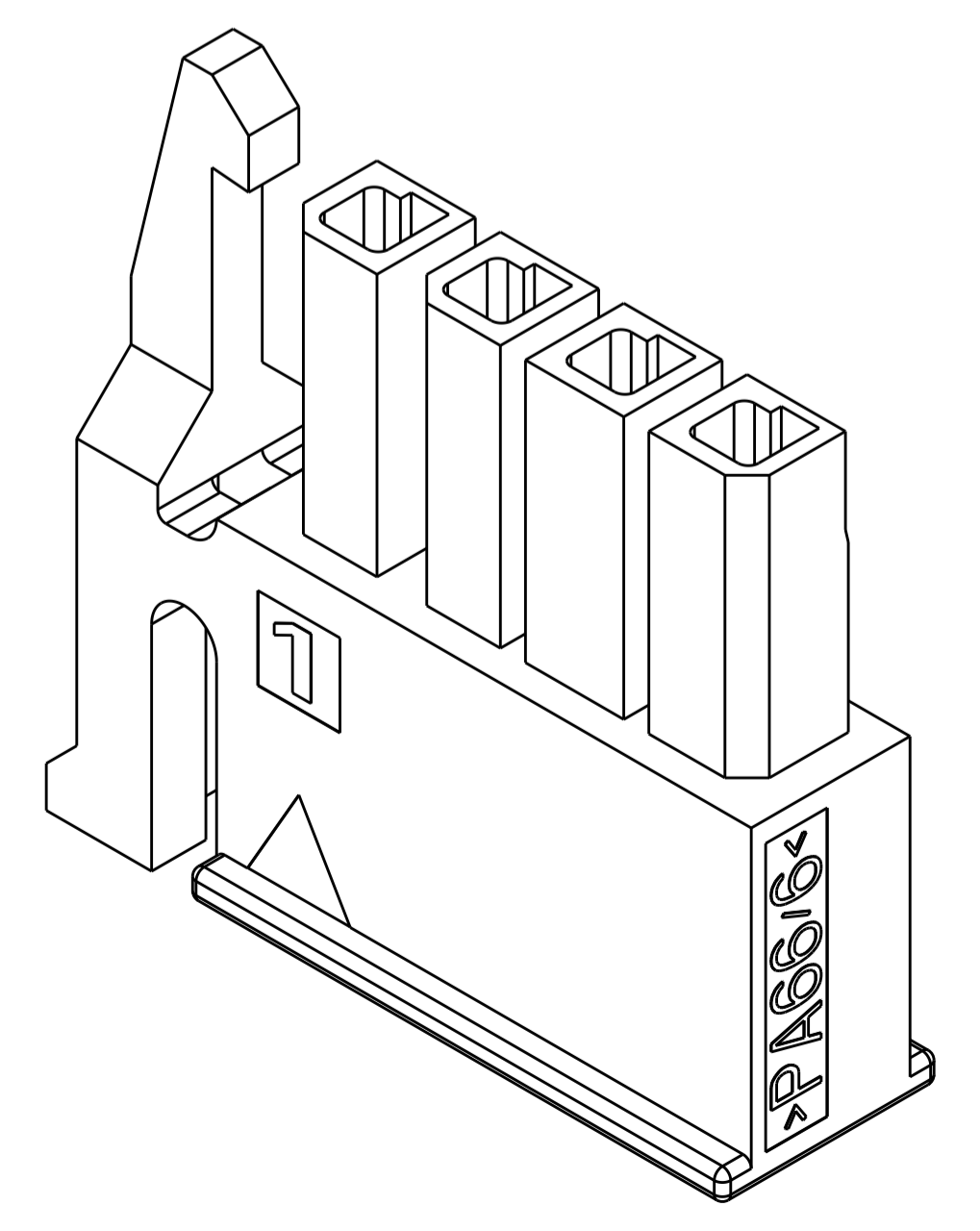
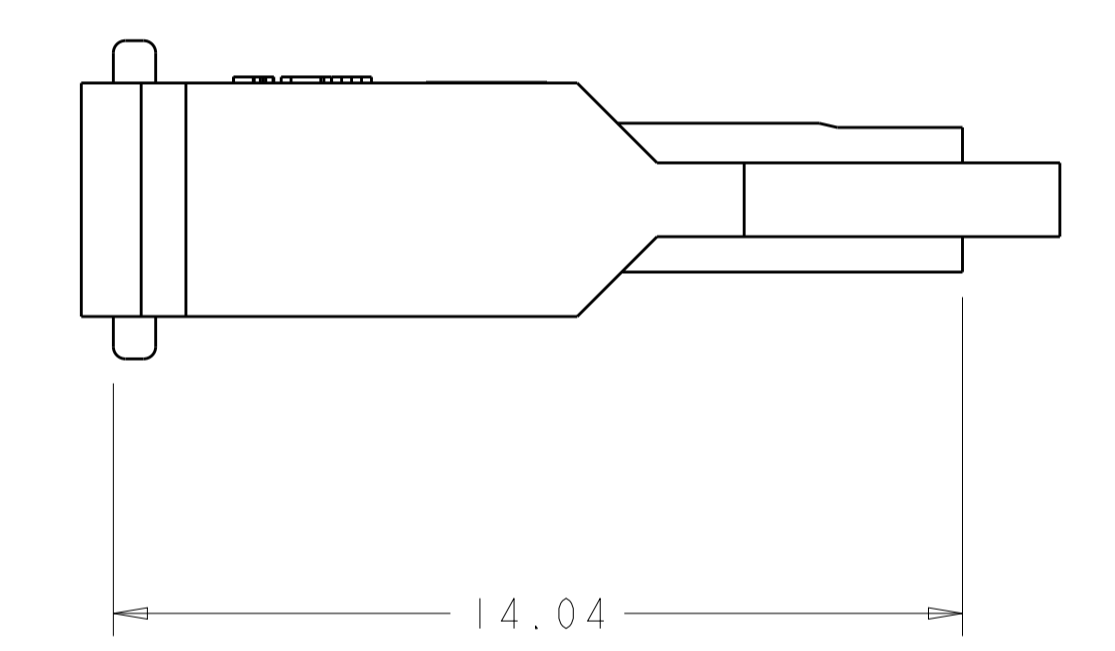
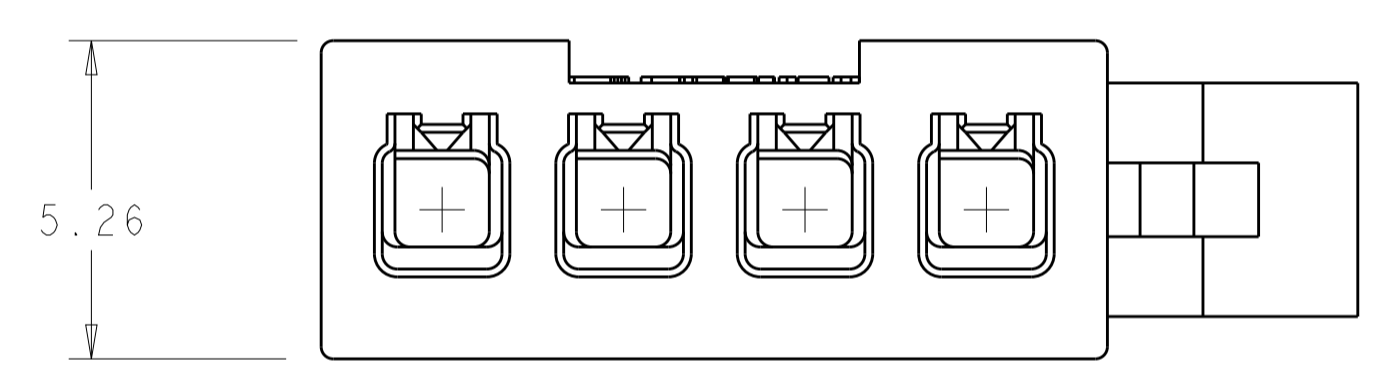
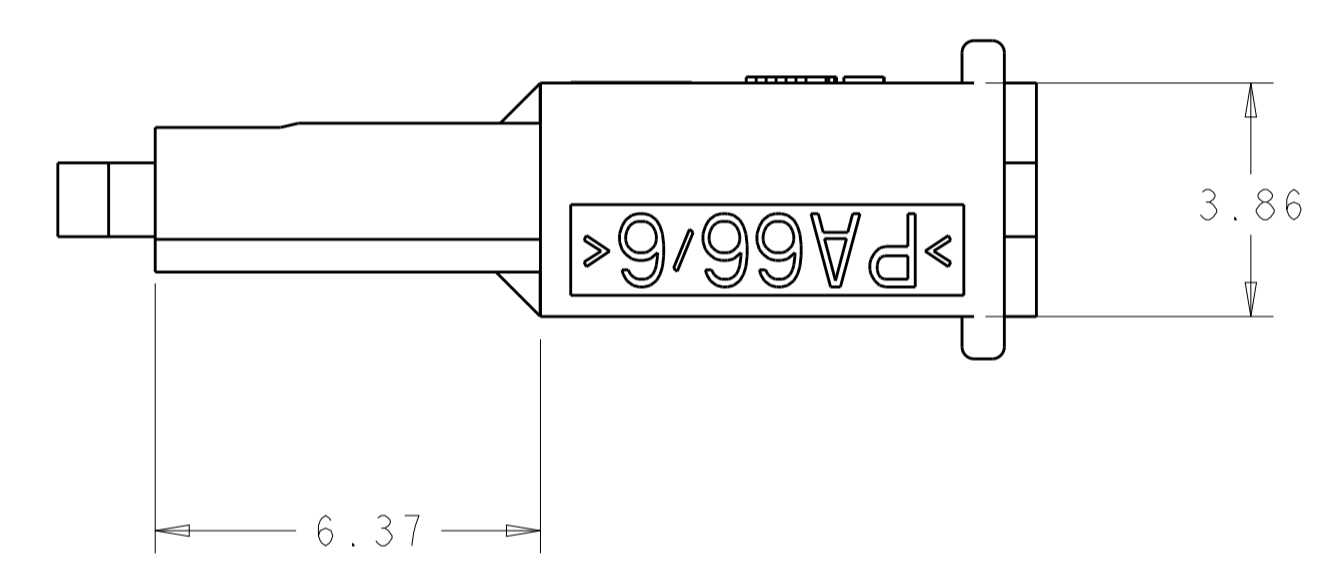
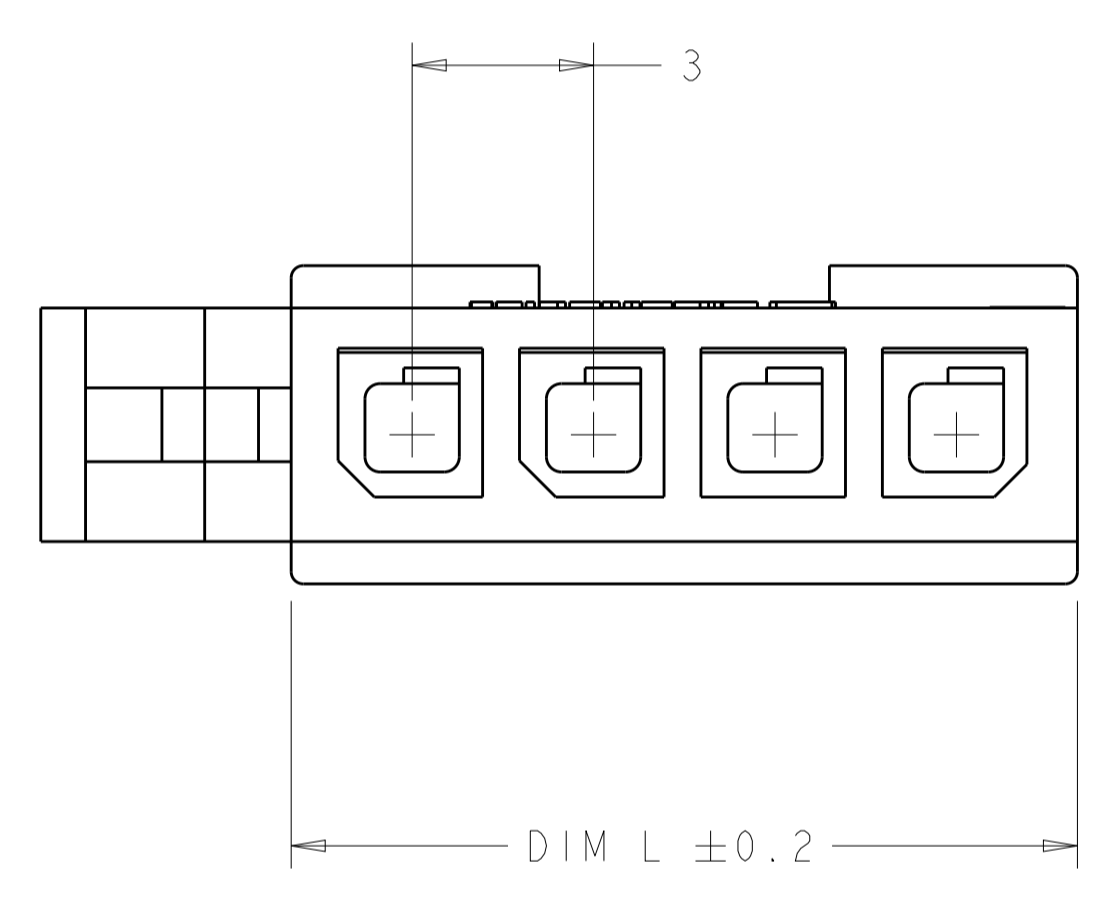
LOC	DIST	REVISIONS					
		P	LTN	DESCRIPTION	DATE	DWN	APVD
CM	00	A2		REVISED PER ECO-11-005027	17MAR2011	RK	HMR
		B		REVISED PER ECO-17-000100	3MAR2017	CX	DZ
		B1		ECO-19-004882	10APR2019	AP	WS



KEYING BY POSITION SIZE



⚠️ CIRCUIT 1 IDENTIFIER, LOCATED APPROXIMATELY AS SHOWN.
 ⚠️ LAST CIRCUIT IDENTIFIER, LOCATED APPROXIMATELY AS SHOWN.



VOLUME mm ³	DIM L	NO OF POS.	PART NO.
434.05	13	4	2029102-4
353.32	10	3	2029102-3
272.6	7	2	2029102-2

THIS DRAWING IS A CONTROLLED DOCUMENT.

DIMENSIONS:	TOLERANCES UNLESS OTHERWISE SPECIFIED:	DWN	R. WHITAKER	26MAR2008
mm	0 PLC ±	CHK	C. JONES	26MAR2008
	1 PLC ±0.13	APVD	C. JONES	26MAR2008
	2 PLC ±	NAME	RECEPTACLE HOUSING, SPECIAL, SINGLE ROW, MICRO MATE-L-LOK(TM)	
	3 PLC ±	PRODUCT SPEC	108-1836	
	4 PLC ±	APPLICATION SPEC	114-13000	
	ANGLES ±*	SIZE	CAGE CODE	DRAWING NO
MATERIAL	FINISH	WEIGHT	A100779	2029102
NYLON, UL94V-0 NATURAL		CUSTOMER DRAWING	SCALE	8:1

RESTRICTED TO: B1

X-ON Electronics

Largest Supplier of Electrical and Electronic Components

Click to view similar products for [Pin & Socket Connectors](#) category:

Click to view products by [TE Connectivity](#) manufacturer:

Other Similar products are found below :

[6450822-1](#) [770392-1](#) [794042-1](#) [796885-1](#) [8-794535-1](#) [881459-2](#) [R929993003](#) [1-350779-3](#) [1403611-1](#) [1-480349-5](#) [1586092-1](#) [1586129-1](#)
[1586487-1](#) [1586681-4](#) [1586700-1](#) [1586065-1](#) [1586077-1](#) [1586368-1](#) [1586380-1](#) [1586680-5](#) [1586681-2](#) [1604996-1](#) [16-06-0038](#) [164164-5](#) [1-](#)
[6609930-1](#) [172296-1](#) [1-794714-6](#) [19-09-2035](#) [1969804-1](#) [200503-1](#) [200788-2](#) [201046-7](#) [202648-4](#) [2029076-2](#) [2029090-4](#) [2029095-4](#) [2-](#)
[66102-6](#) [925061-7](#) [926681-1](#) [293734-4](#) [293737-2](#) [1-765362-4](#) [1-794606-3](#) [1871534-1](#) [1969795-1](#) [1969798-1](#) [1969800-1](#) [200833-4](#)
[2008625-2](#) [2029027-2](#)