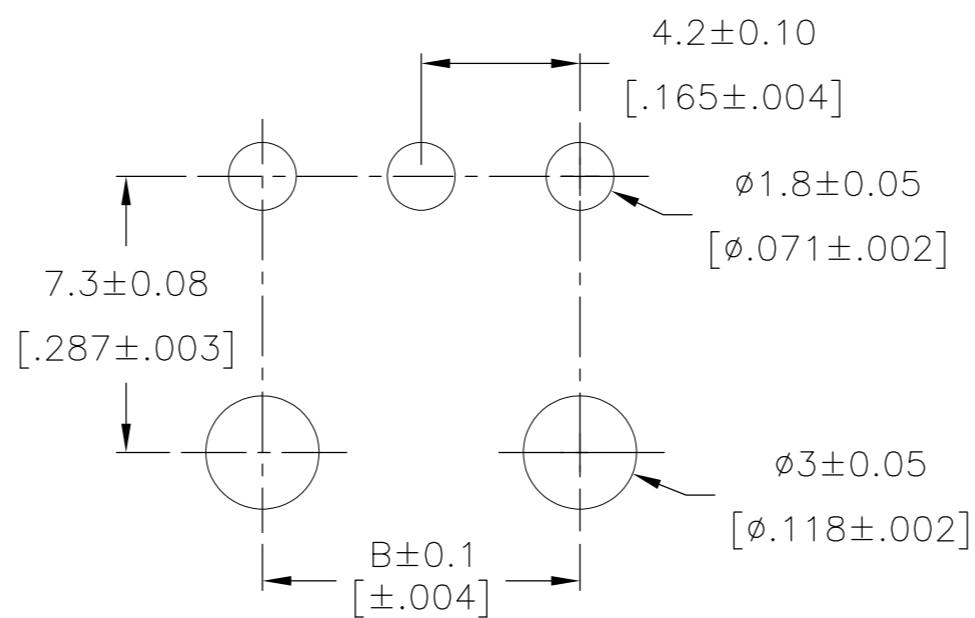
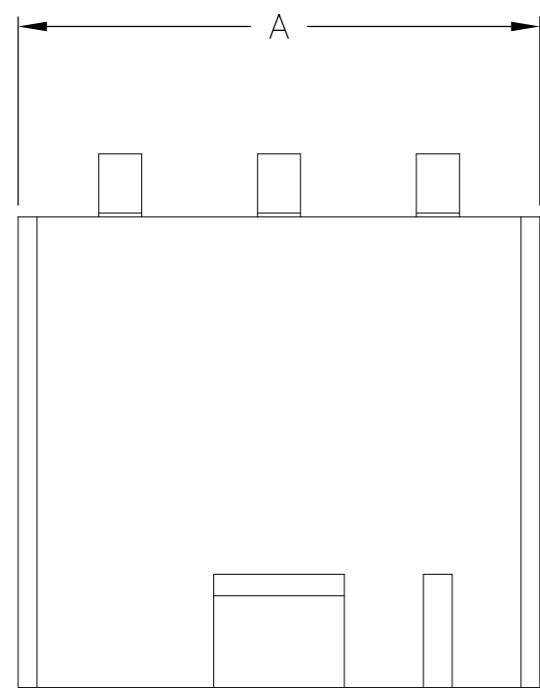


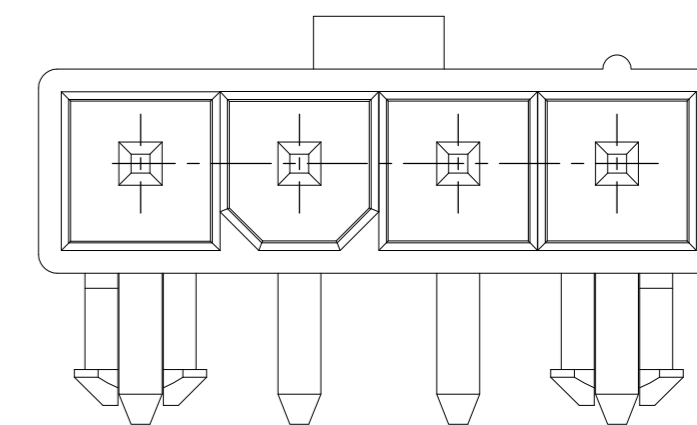
THIS DRAWING IS UNPUBLISHED. RELEASED FOR PUBLICATION
 © COPYRIGHT BY TYCO ELECTRONICS CORPORATION. ALL RIGHTS RESERVED.

LOC		DIST		REVISIONS			
P	LTR	DESCRIPTION		DATE	DWN	APVD	
	A	RELEASED		16OCT2008	KW	CC	

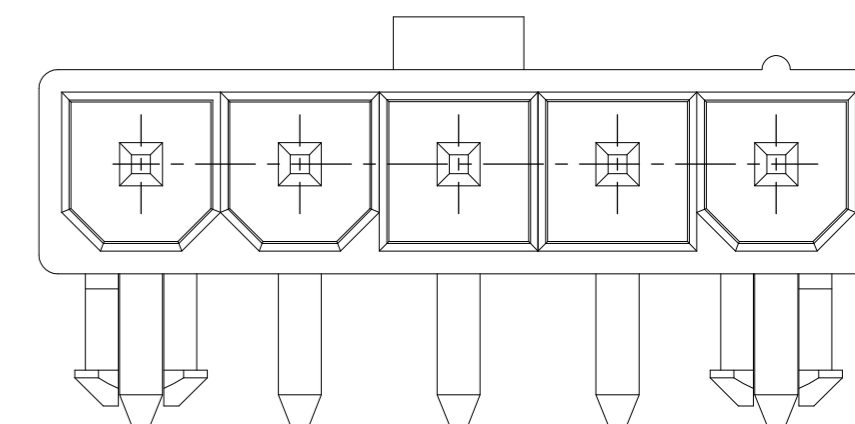


RECOMMENDED MOUNTING HOLE PATTERN FOR
 1.78 [.070] MAX THK P.C. BOARD

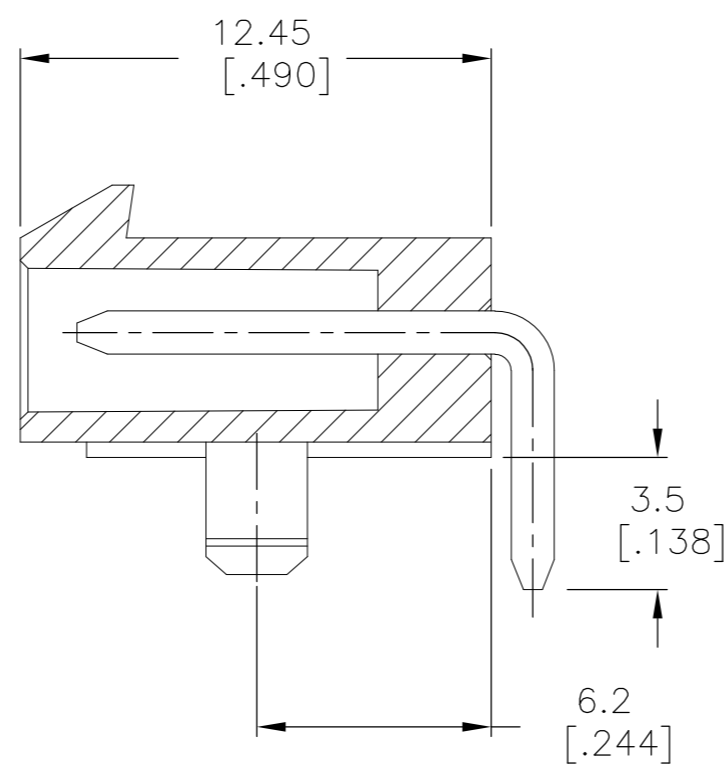
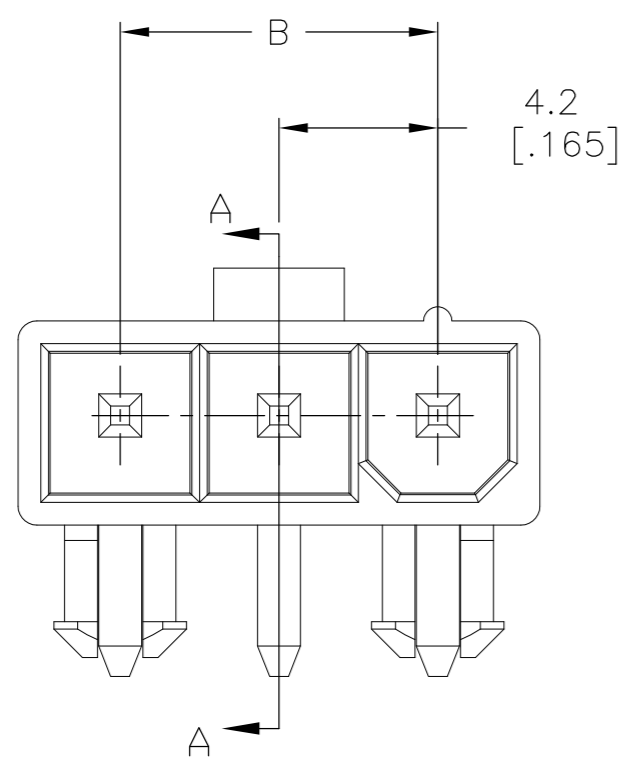
1 MATERIAL: HOUSING: NYLON, UL94V-0
 CONTACTS: BRASS, TIN-PLATED



2029151-4 MATING FACE



2029151-5 MATING FACE



SECTION A-A

2029151-3 SHOWN

5	16.8 [.661]	22.2 [.874]	2029151-5
4	12.6 [.496]	18 [.709]	2029151-4
3	8.4 [.330]	13.8 [.543]	2029151-3
POS	B	A	PART NUMBER

METRIC

THIS DRAWING IS A CONTROLLED DOCUMENT.		DWN K. WHITAKER 14OCT2008	Tyco Electronics Corporation Harrisburg, PA 17105-3608	
DIMENSIONS: mm [INCHES]		CHK C. CASH 14OCT2008	NAME RIGHT ANGLE HEADER, WITH PEGS, 94V-0, VAL-U-LOK(TM)	
TOLERANCES UNLESS OTHERWISE SPECIFIED: 0 PLC ± 1 PLC ± 0.13 [.005] 2 PLC ± 0.13 [.005] 3 PLC ± 4 PLC ± ANGLES ±		APVD C. CASH 14OCT2008	PRODUCT SPEC	
MATERIAL		APPLICATION SPEC	WEIGHT	RESTRICTED TO
1		FINISH	SCALE A2 00779 C=2029151	—
		CUSTOMER DRAWING	SCALE 5:1	SHEET 1 of 1
			REV A	

X-ON Electronics

Largest Supplier of Electrical and Electronic Components

Click to view similar products for [Headers & Wire Housings](#) category:

Click to view products by [TE Connectivity](#) manufacturer:

Other Similar products are found below :

[95000-104TRLF](#) [10135584-644402LF](#) [DF62W-EP2022PCA](#) [95000-106TRLF](#) [DF62W-2022SCA](#) [DF62W-EP2022PC](#) [2203348](#) [DF62W-2022SC](#) [1084018](#) [1029039](#) [1084017](#) [802-10-012-10-002000](#) [1112640](#) [1112639](#) [000-34000](#) [0009482033](#) [0009507031](#) [57102-S06-03LF](#) [57202-S52-04LF](#) [PCN6-15S-2.5E](#) [0039019024](#) [58102-G61-06LF](#) [582553-1](#) [0009508121](#) [0050291907](#) [018731A](#) [LY20-4P-DT1-P1E-BR](#) [02.125.8002.8](#) [60101931](#) [60598-1 \(Cut Strip\)](#) [M1625-3R/100](#) [61062-3](#) [61082-181009](#) [636-1427](#) [638009-1](#) [641938-9](#) [641991-4](#) [644168-1](#) [647662-1](#) [65039-019ELF](#) [65817-002LF](#) [65817-015LF](#) [65863-015LF](#) [66207-023LF](#) [67016-026LF](#) [67046-001LF](#) [67095-007LF](#) [68002-116](#) [68016-236H](#) [68648-049](#)