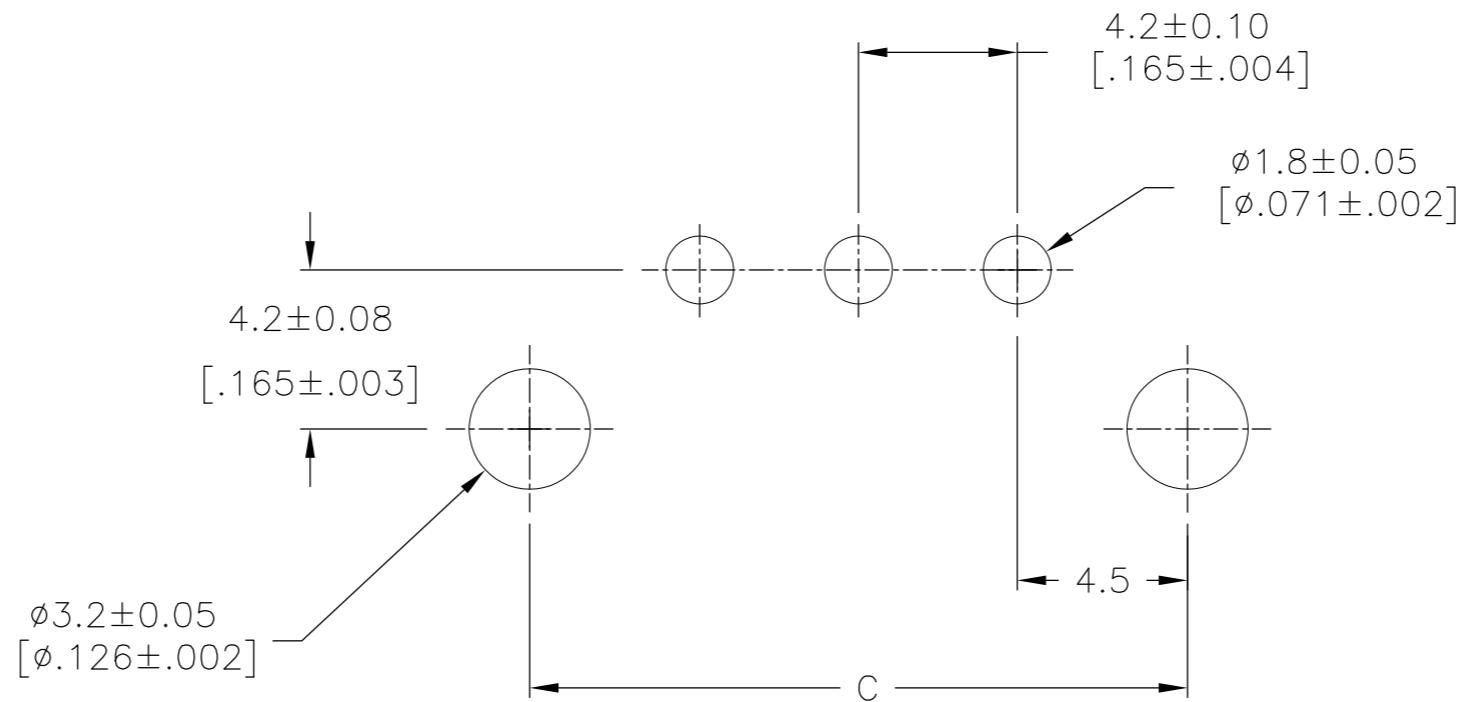
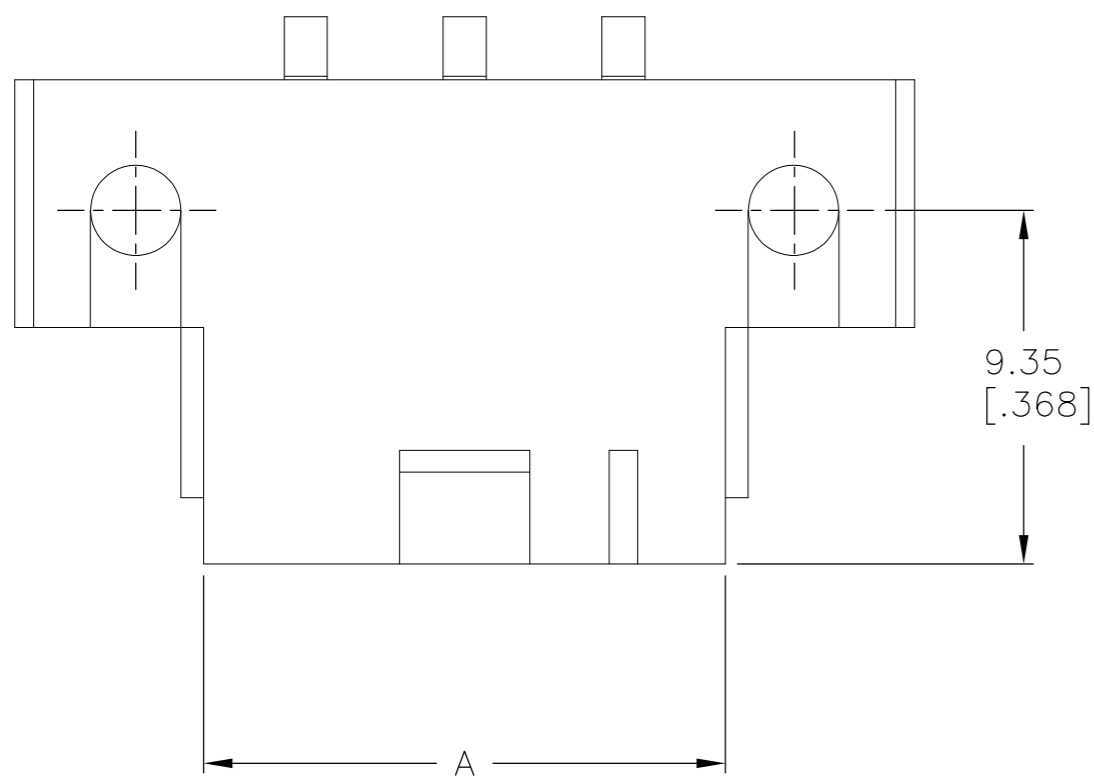


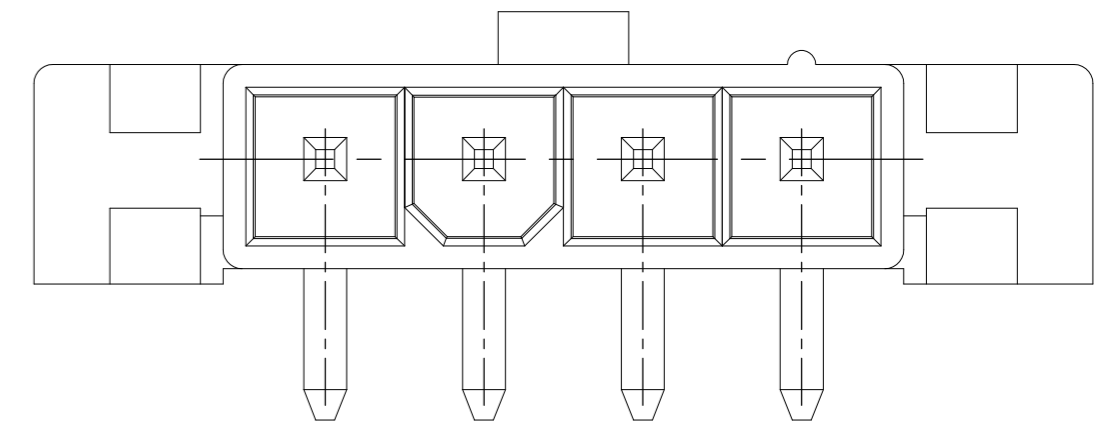
THIS DRAWING IS UNPUBLISHED. RELEASED FOR PUBLICATION
 © COPYRIGHT BY TYCO ELECTRONICS CORPORATION. ALL RIGHTS RESERVED.

LOC	DIST	REVISIONS			
P	LTR	DESCRIPTION	DATE	DWN	APVD
CM	00	A	RELEASED	16OCT2008	KW CC

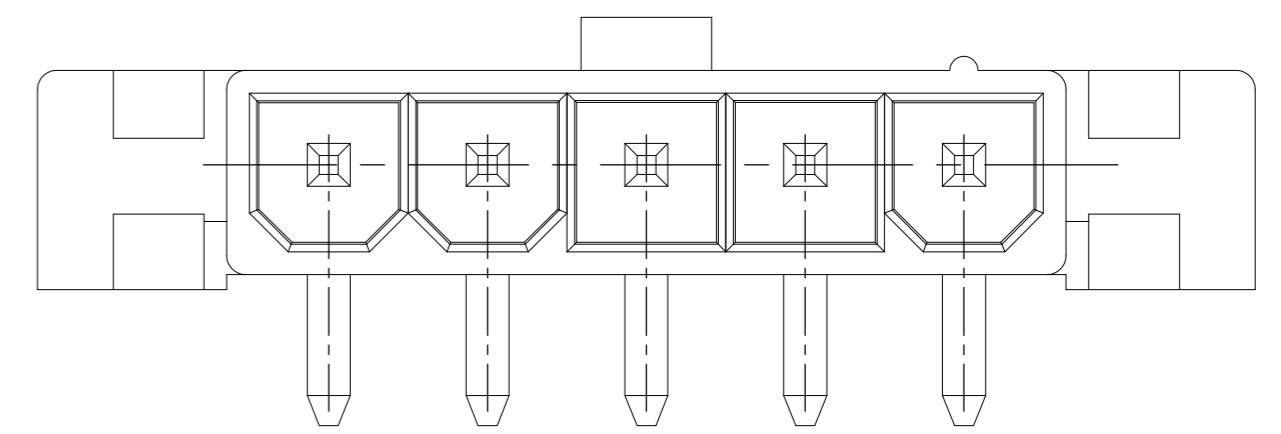


RECOMMENDED MOUNTING HOLE PATTERN FOR
 1.78 [.070] MAX THK P.C. BOARD

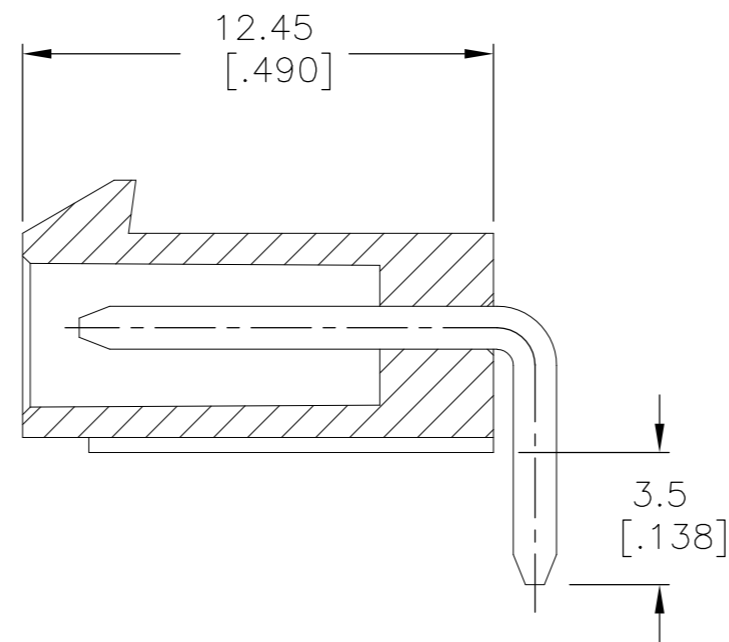
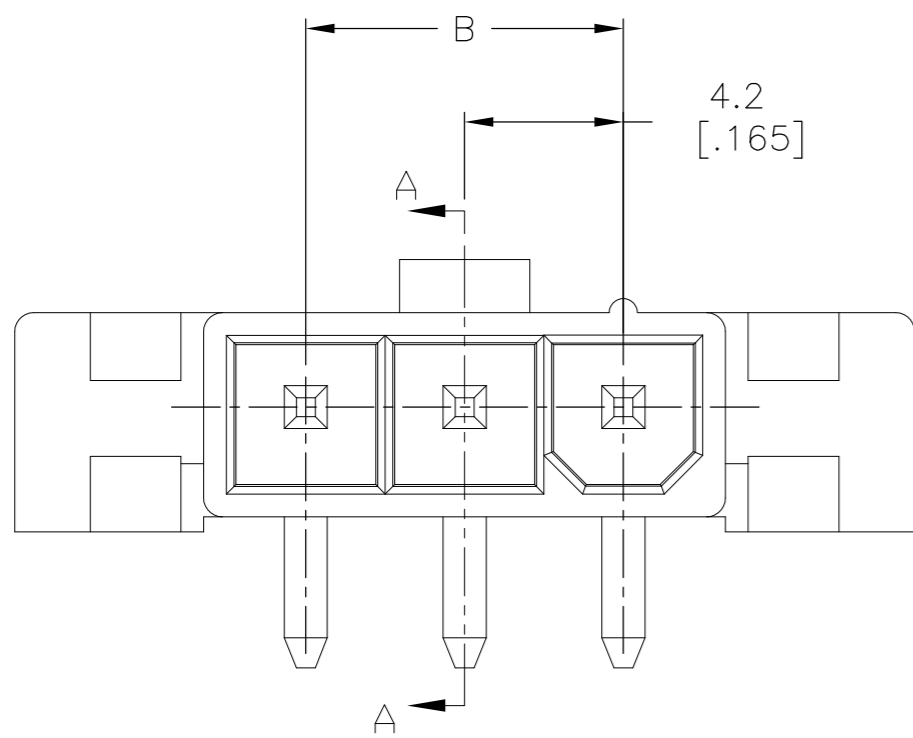
1 MATERIAL: HOUSING: NYLON, UL94V-2
 CONTACTS: BRASS, TIN-PLATED



2029152-4 MATING FACE



2029152-5 MATING FACE



SECTION A-A

2029152-3 SHOWN

5	25.8 [1.02]	16.8 [.661]	220. [.874]	2029152-5
4	21.6 [.850]	12.6 [.496]	18 [.709]	2029152-4
3	17.4 [.685]	8.4 [.330]	13.8 [.543]	2029152-3
POS	C	B	A	PART NUMBER

METRIC

THIS DRAWING IS A CONTROLLED DOCUMENT.

DWN K. WHITAKER 14OCT2008	Tyco Electronics Corporation Harrisburg, PA 17105-3608
CHK C. CASH 14OCT2008	
APVD C. CASH 14OCT2008	
PRODUCT SPEC	
APPLICATION SPEC	NAME RIGHT ANGLE HEADER, WITH FLANGES, 94V-2, VAL-U-LOK(TM)
WEIGHT	SIZE A2
CUSTOMER DRAWING	CAGE CODE 00779
	DRAWING NO C=2029152
	RESTRICTED TO -
	SCALE 5:1
	SHEET 1 of 1
	REV A

X-ON Electronics

Largest Supplier of Electrical and Electronic Components

Click to view similar products for [Headers & Wire Housings](#) category:

Click to view products by [TE Connectivity](#) manufacturer:

Other Similar products are found below :

[95000-104TRLF](#) [10135584-644402LF](#) [DF62W-EP2022PCA](#) [95000-106TRLF](#) [DF62W-2022SCA](#) [DF62W-EP2022PC](#) [2203348](#) [DF62W-2022SC](#) [1084018](#) [1029039](#) [1084017](#) [802-10-012-10-002000](#) [1112640](#) [1112639](#) [000-34000](#) [0009482033](#) [0009507031](#) [57102-S06-03LF](#) [57202-S52-04LF](#) [PCN6-15S-2.5E](#) [0039019024](#) [58102-G61-06LF](#) [582553-1](#) [0009508121](#) [0050291907](#) [018731A](#) [LY20-4P-DT1-P1E-BR](#) [02.125.8002.8](#) [60101931](#) [60598-1 \(Cut Strip\)](#) [M1625-3R/100](#) [61062-3](#) [61082-181009](#) [636-1427](#) [638009-1](#) [641938-9](#) [641991-4](#) [644168-1](#) [647662-1](#) [65039-019ELF](#) [65817-002LF](#) [65817-015LF](#) [65863-015LF](#) [66207-023LF](#) [67016-026LF](#) [67046-001LF](#) [67095-007LF](#) [68002-116](#) [68016-236H](#) [68648-049](#)