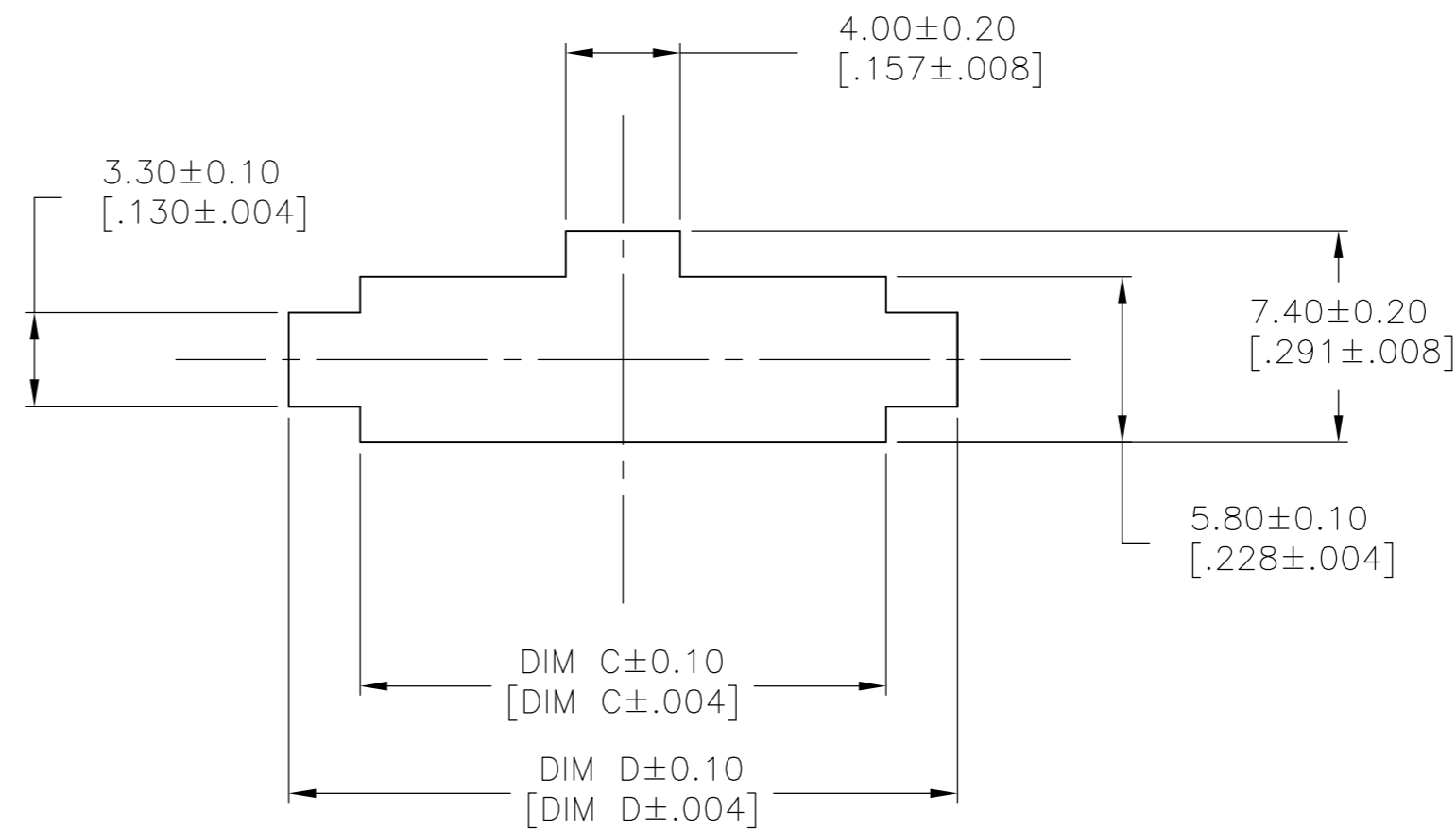
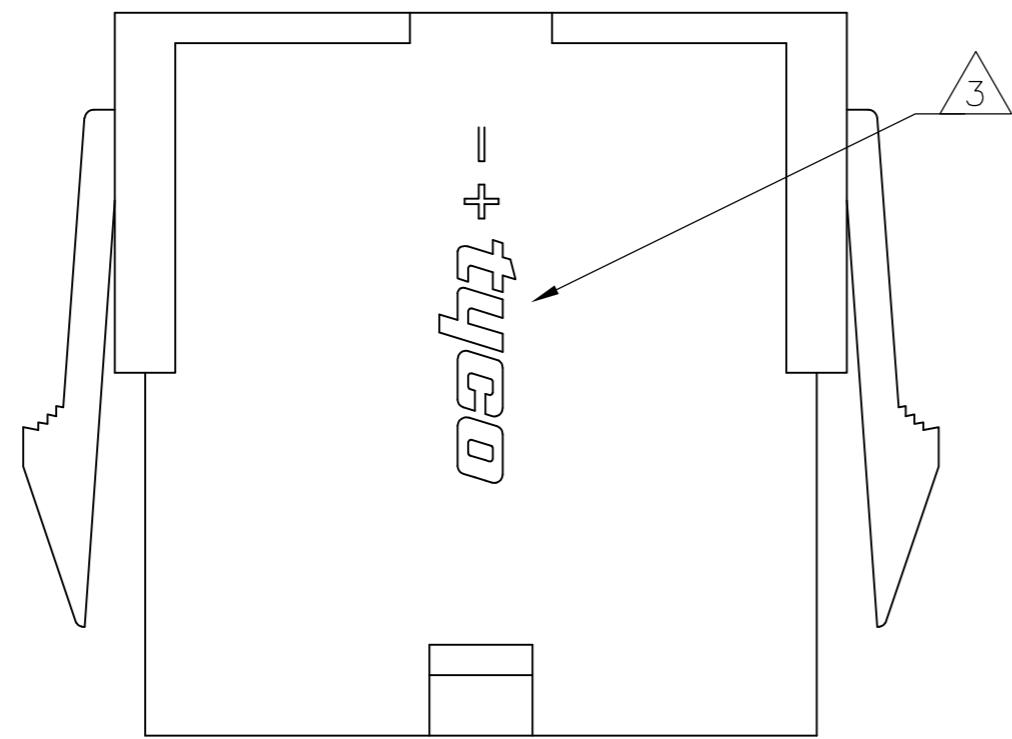
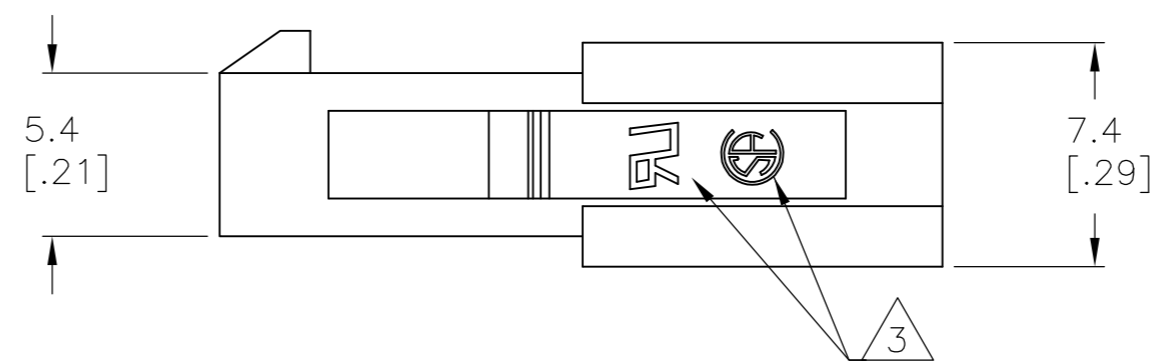
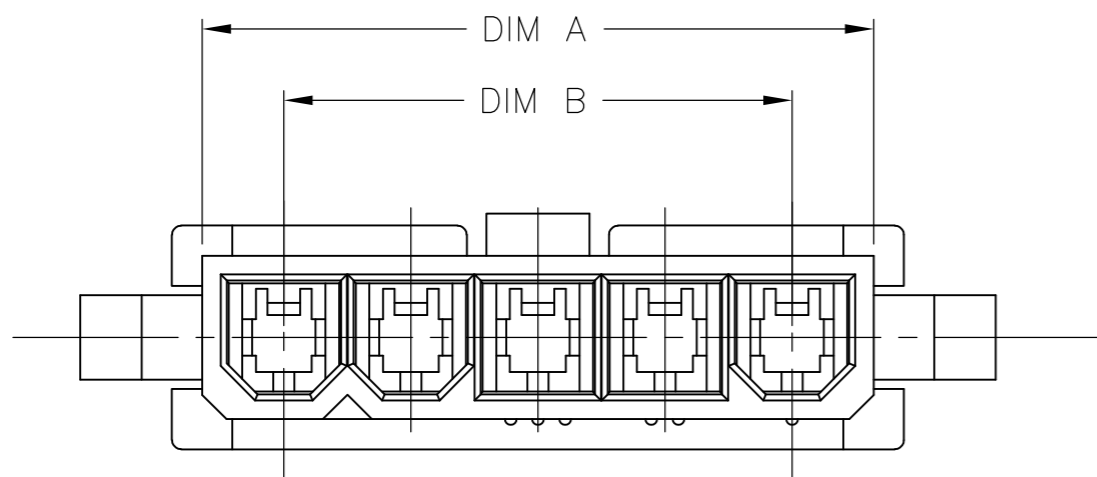


THIS DRAWING IS UNPUBLISHED. RELEASED FOR PUBLICATION
 © COPYRIGHT BY TYCO ELECTRONICS CORPORATION. ALL RIGHTS RESERVED.

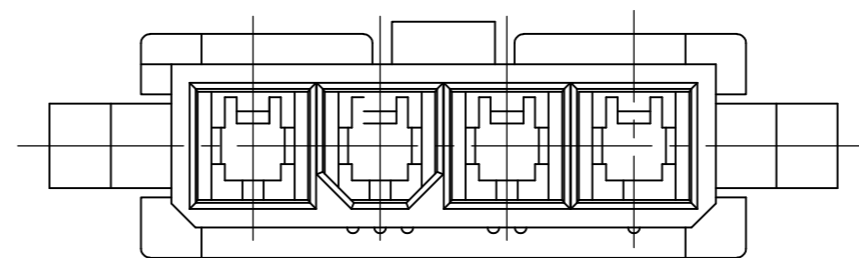
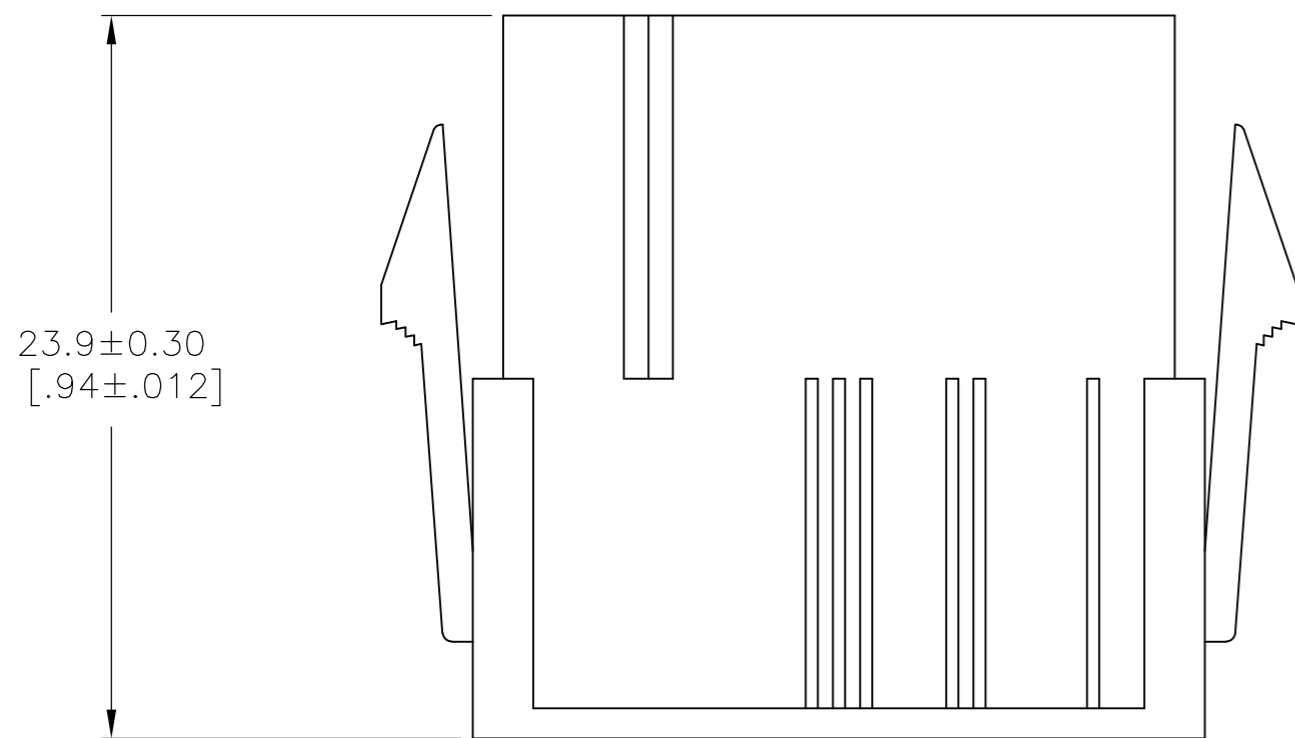
| LOC | | DIST | | REVISIONS | | | |
|-----|-----|-------------|----------|-----------|-----|------|--|
| P | LTR | DESCRIPTION | | DATE | DWN | APVD | |
| CM | 00 | A | WR-08-45 | 23SEP08 | KW | CC | |



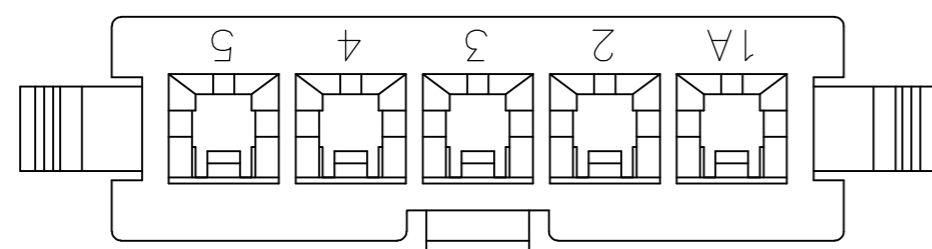
RECOMMENDED CUT-OUT FOR 2.00 [.079] MAX THICK PANEL



- 1 GLOW WIRE APPROVED, CONTACT TYCO ELECTRONICS ENGINEERING FOR SPECIFICATION.
- 2 PANEL SHOULD BE PUNCHED IN THE DIRECTION OF CONNECTOR INSERTION.
- 3 TE LOGO, UL LOGO, AND CSA LOGO - SIZE, LOCATION, AND ORIENTATION OPTIONAL.



4 POSITION MATING FACE (FOR POLARIZATION IDENTIFICATION)



| | | | | | |
|-------------|------------|------------|------------|-----|-------------|
| 27.6 [1.09] | 22.6 [.89] | 16.8 [.66] | 22.2 [.87] | 5 | 2029177-5 |
| 23.4 [.92] | 18.4 [.72] | 12.6 [.50] | 18.0 [.71] | 4 | 2029177-4 |
| DIM D | DIM C | DIM B | DIM A | POS | PART NUMBER |

| | | | | |
|---|--|---------------------------------|---|-------------------------|
| THIS DRAWING IS A CONTROLLED DOCUMENT. | | DWN K. WHITAKER 23SEP2008 | Tyco Electronics Corporation Harrisburg, PA 17105-3608 | |
| DIMENSIONS: mm [INCHES] | | CHK C. CASH 23SEP2008 | NAME PLUG, PANEL MOUNT, SINGLE ROW VAL-U-LOK(TM) | |
| TOLERANCES UNLESS OTHERWISE SPECIFIED: 0 PLC ± - 1 PLC ± 0.1 [.04] 2 PLC ± - 3 PLC ± - 4 PLC ± - ANGLES ± - | | APVD C. CASH 23SEP2008 | SIZE A2 | |
| MATERIAL - | | APPLICATION SPEC - | CAGE CODE 00779 | DRAWING NO C=2029177 |
| FINISH - | | WEIGHT - | SCALE 4:1 | SHEET 1 of 1 |
| CUSTOMER DRAWING | | RESTRICTED TO - | | |

METRIC

X-ON Electronics

Largest Supplier of Electrical and Electronic Components

Click to view similar products for [Headers & Wire Housings](#) category:

Click to view products by [TE Connectivity](#) manufacturer:

Other Similar products are found below :

[95000-104TRLF](#) [10135584-644402LF](#) [DF62W-EP2022PCA](#) [95000-106TRLF](#) [DF62W-2022SCA](#) [DF62W-EP2022PC](#) [2203348](#) [DF62W-2022SC](#) [1084018](#) [1029039](#) [1084017](#) [802-10-012-10-002000](#) [1112640](#) [1112639](#) [000-34000](#) [0009482033](#) [0009507031](#) [57102-S06-03LF](#) [57202-S52-04LF](#) [PCN6-15S-2.5E](#) [0039019024](#) [58102-G61-06LF](#) [582553-1](#) [0009508121](#) [0050291907](#) [018731A](#) [LY20-4P-DT1-P1E-BR](#) [02.125.8002.8](#) [60101931](#) [60598-1 \(Cut Strip\)](#) [M1625-3R/100](#) [61062-3](#) [61082-181009](#) [636-1427](#) [638009-1](#) [641938-9](#) [641991-4](#) [644168-1](#) [647662-1](#) [65039-019ELF](#) [65817-002LF](#) [65817-015LF](#) [65863-015LF](#) [66207-023LF](#) [67016-026LF](#) [67046-001LF](#) [67095-007LF](#) [68002-116](#) [68016-236H](#) [68648-049](#)