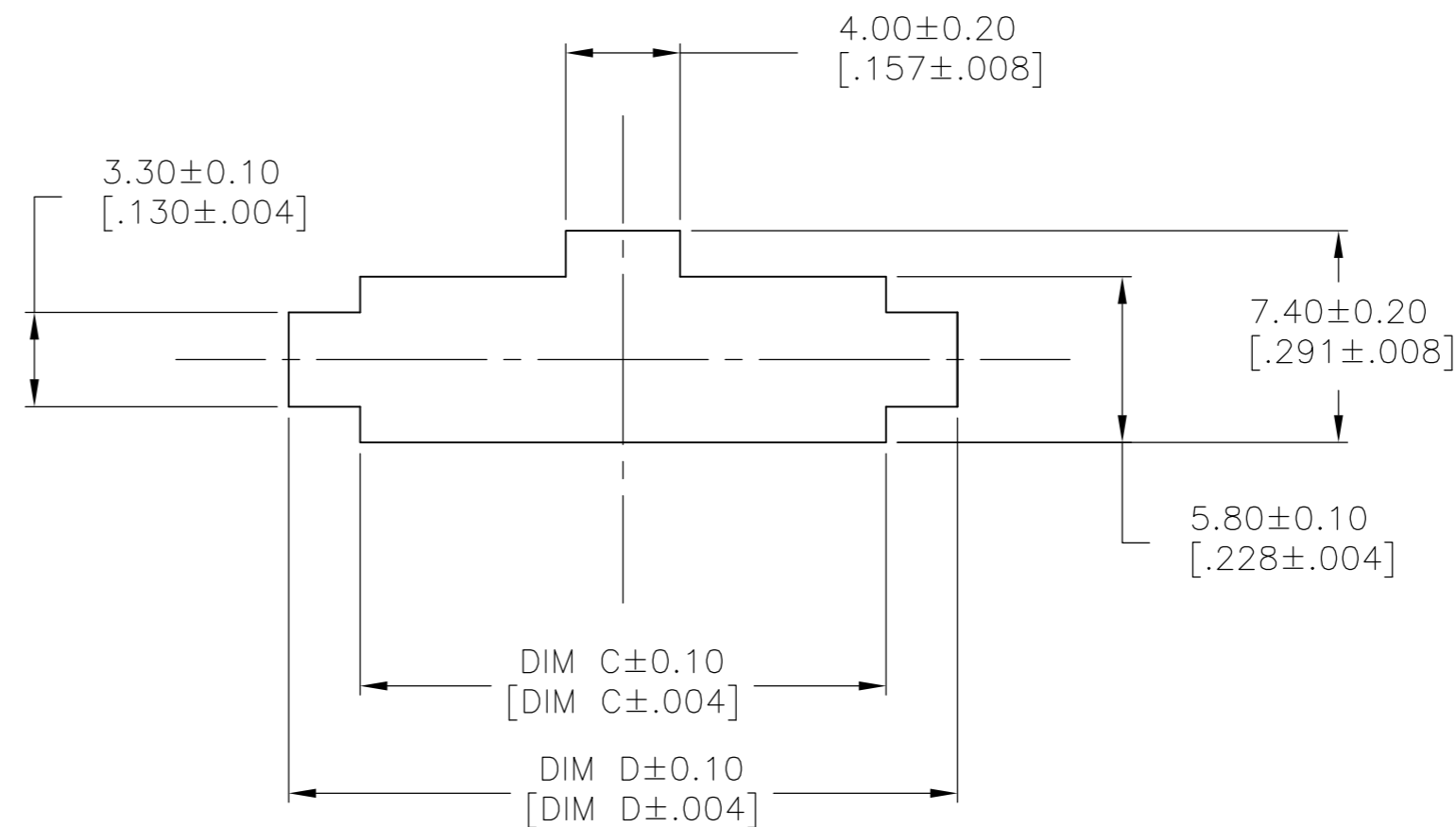
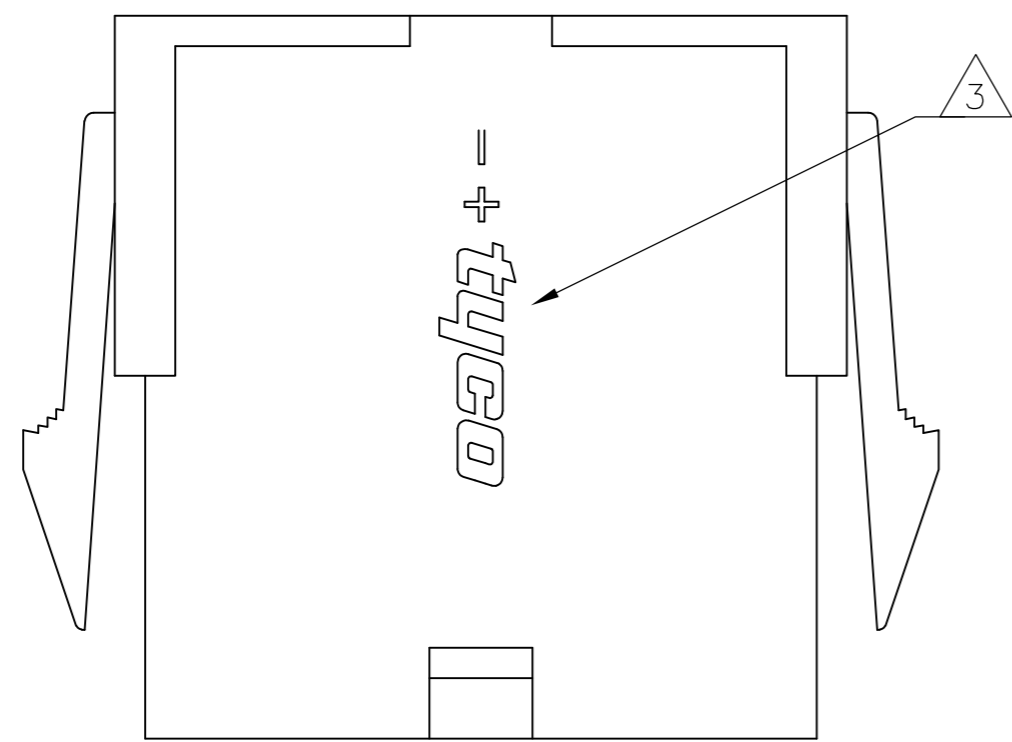
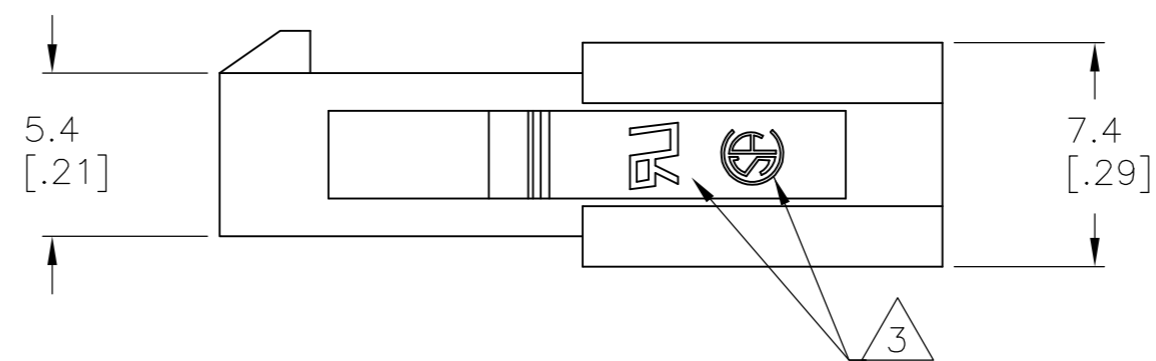
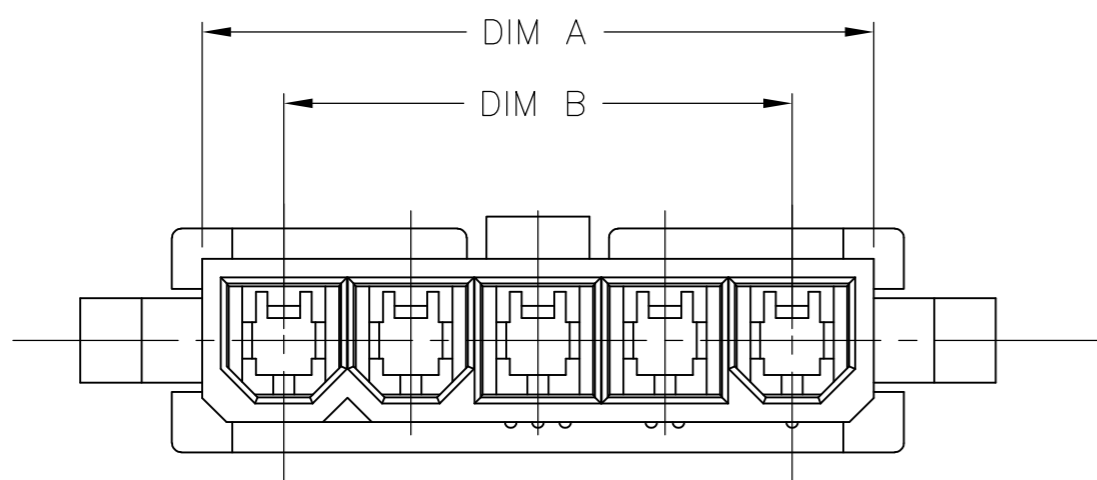


THIS DRAWING IS UNPUBLISHED. RELEASED FOR PUBLICATION  
 © COPYRIGHT BY TYCO ELECTRONICS CORPORATION. ALL RIGHTS RESERVED.

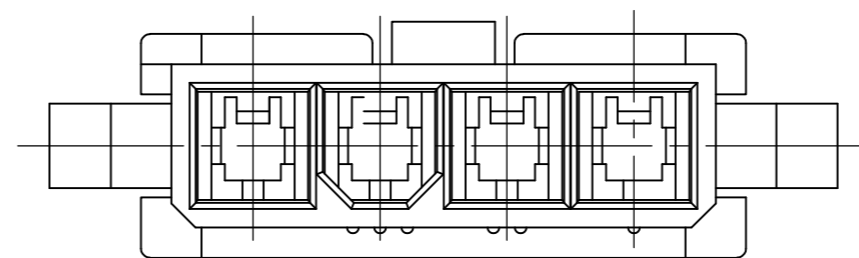
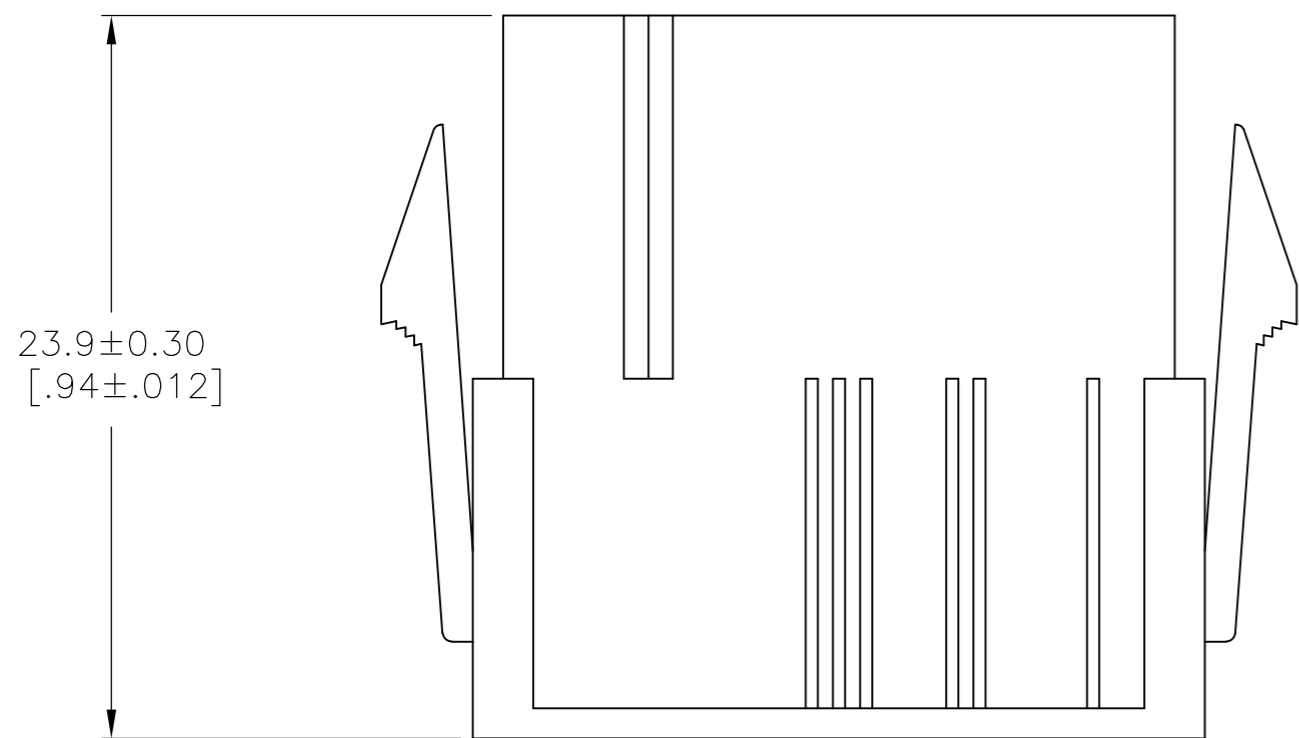
LOC		DIST		REVISIONS			
P	LTR	DESCRIPTION		DATE	DWN	APVD	
CM	00	A	WR-08-45	23SEP08	KW	CC	



RECOMMENDED CUT-OUT FOR 2.00 [.079] MAX THICK PANEL

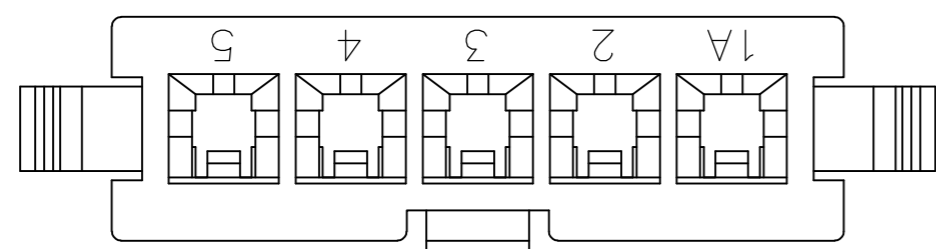


- 1 GLOW WIRE APPROVED, CONTACT TYCO ELECTRONICS ENGINEERING FOR SPECIFICATION.
  - 2 PANEL SHOULD BE PUNCHED IN THE DIRECTION OF CONNECTOR INSERTION.
- △ TE LOGO, UL LOGO, AND CSA LOGO - SIZE, LOCATION, AND ORIENTATION OPTIONAL.



4 POSITION MATING FACE (FOR POLARIZATION IDENTIFICATION)

27.6 [1.09]	22.6 [.89]	16.8 [.66]	22.2 [.87]	5	2029177-5
23.4 [.92]	18.4 [.72]	12.6 [.50]	18.0 [.71]	4	2029177-4
DIM D	DIM C	DIM B	DIM A	POS	PART NUMBER



**METRIC**

THIS DRAWING IS A CONTROLLED DOCUMENT.

DIMENSIONS: mm [INCHES]	TOLERANCES UNLESS OTHERWISE SPECIFIED: 0 PLC ± - 1 PLC ± 0.1 [.04] 2 PLC ± - 3 PLC ± - 4 PLC ± - ANGLES ± - FINISH	DWN K. WHITAKER 23SEP2008 CHK C. CASH 23SEP2008 APVD C. CASH 23SEP2008 PRODUCT SPEC APPLICATION SPEC WEIGHT CUSTOMER DRAWING	Tyco Electronics Corporation Harrisburg, PA 17105-3608 NAME PLUG, PANEL MOUNT, SINGLE ROW VAL-U-LOK(TM) SIZE A2 CAGE CODE 00779 DRAWING NO C=2029177 RESTRICTED TO - SCALE 4:1 SHEET 1 of 1 REV A
----------------------------	---	---	--

## X-ON Electronics

Largest Supplier of Electrical and Electronic Components

*Click to view similar products for [Headers & Wire Housings](#) category:*

*Click to view products by [TE Connectivity](#) manufacturer:*

Other Similar products are found below :

[95000-104TRLF](#) [10135584-644402LF](#) [DF62W-EP2022PCA](#) [95000-106TRLF](#) [DF62W-2022SCA](#) [DF62W-EP2022PC](#) [2203348](#) [DF62W-2022SC](#) [1084018](#) [1029039](#) [1084017](#) [802-10-012-10-002000](#) [1112640](#) [1112639](#) [000-34000](#) [0009482033](#) [0009507031](#) [57102-S06-03LF](#) [57202-S52-04LF](#) [PCN6-15S-2.5E](#) [0039019024](#) [58102-G61-06LF](#) [582553-1](#) [0009508121](#) [0050291907](#) [018731A](#) [LY20-4P-DT1-P1E-BR](#) [02.125.8002.8](#) [60101931](#) [60598-1 \(Cut Strip\)](#) [M1625-3R/100](#) [61062-3](#) [61082-181009](#) [636-1427](#) [638009-1](#) [641938-9](#) [641991-4](#) [644168-1](#) [647662-1](#) [65039-019ELF](#) [65817-002LF](#) [65817-015LF](#) [65863-015LF](#) [66207-023LF](#) [67016-026LF](#) [67046-001LF](#) [67095-007LF](#) [68002-116](#) [68016-236H](#) [68648-049](#)