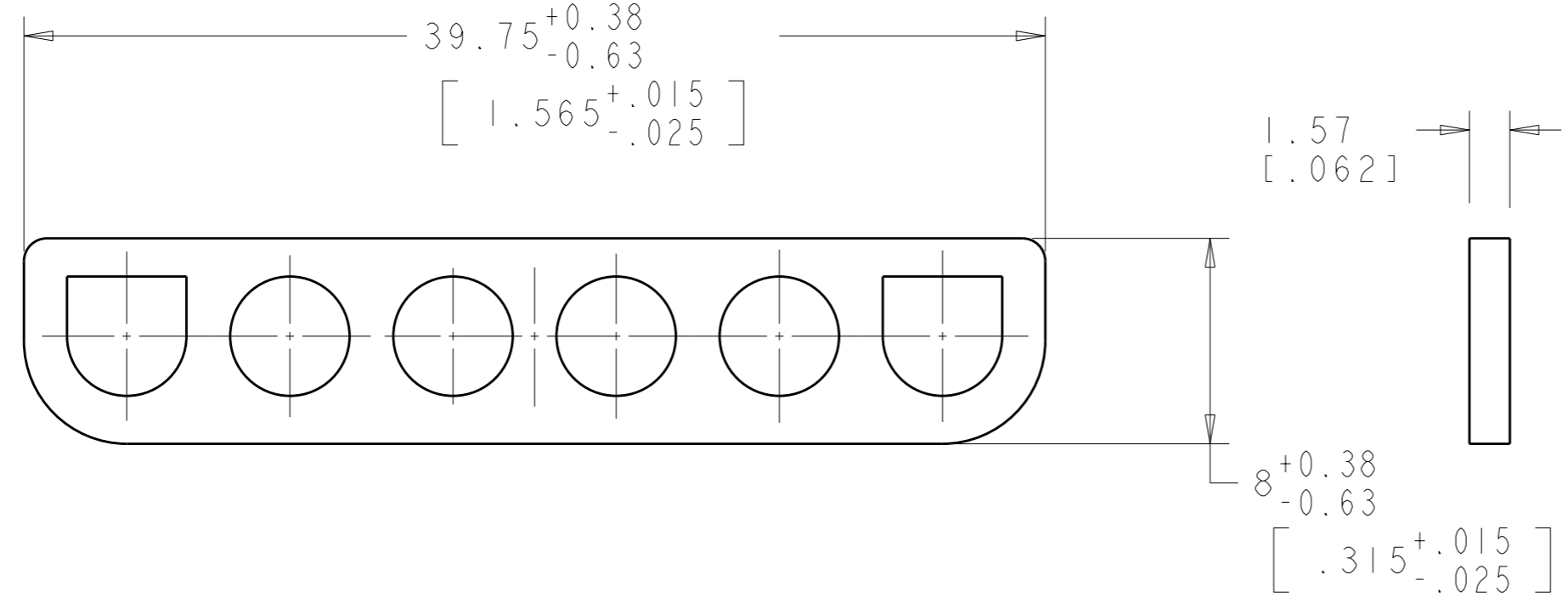
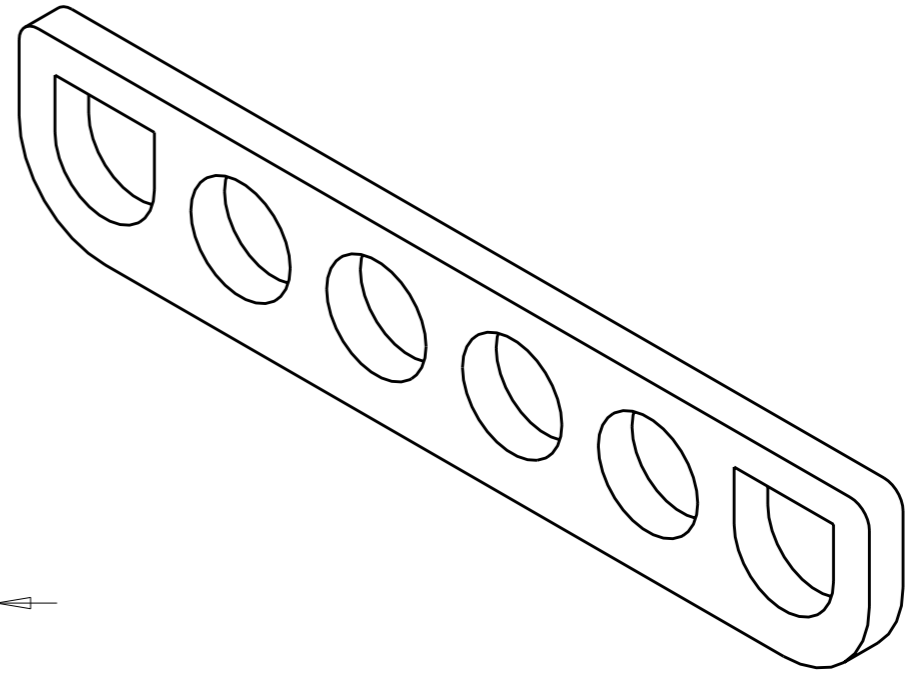


THIS DRAWING IS UNPUBLISHED. RELEASED FOR PUBLICATION 20  
 © COPYRIGHT 20 BY TYCO ELECTRONICS CORPORATION. ALL RIGHTS RESERVED.

LOC	DIST	REVISIONS			
P	LTR	DESCRIPTION	DATE	DWN	APVD
CM	0	A	REVISED PER ECO-09-010459	30APR2009	HMR MS

1. MATERIAL: CLOSED CELL SILICON FOAM, BLACK  
 2. SUPPLIED ON MYLAR FILM.



0.02 IN <sup>3</sup>	2029269-1
VOLUME	PART NUMBER

**METRIC**

<small>THIS DRAWING IS A CONTROLLED DOCUMENT FOR TYCO ELECTRONICS CORPORATION          IT IS SUBJECT TO CHANGE AND THE CONTROLLING ENGINEERING ORGANIZATION          SHOULD BE CONTACTED FOR THE LATEST REVISION.</small>		DWN K. WHITAKER 10NOV2008 CHK D. COLEY 10NOV2008 APVD D. COLEY 10NOV2008		Tyco Electronics Harrisburg, PA 17105-3608	
DIMENSIONS: mm [ INCHES ]		TOLERANCES UNLESS OTHERWISE SPECIFIED: 0 PLC ±- 1 PLC ±- 2 PLC ±0.51 [.020] 3 PLC ±- 4 PLC ±- ANGLES ±-		NAME INTERFACIAL SEAL, 6 CIRCUIT, UNIVERSAL MATE-N-LOK(TM)	
MATERIAL - 1		FINISH -		PRODUCT SPEC - APPLICATION SPEC - WEIGHT -	
		CUSTOMER DRAWING		SIZE A3 CAGE CODE 00779 DRAWING NO C-2029269 RESTRICTED TO -	
		SCALE 4:1		SHEET 1 OF 1 REV A	

## X-ON Electronics

Largest Supplier of Electrical and Electronic Components

*Click to view similar products for TE Connectivity manufacturer:*

Other Similar products are found below :

[017667013](#) [222S163-25S-0](#) [DMC-MD 26 B](#) [DTS26Z19-32HA](#) [AFD50-16-8SN-1A](#) [K41P-09](#) [AFD56-20-41SW-1A](#) [MS20659-110](#)  
[BACC63CM2842PNA](#) [5228686-1](#) [569875-2](#) [AFD51-16-26PN-1A](#) [MS3472W20-16PW](#) [6EL1SCM](#) [1599027-1](#) [KUP93-14A13-120](#) [IMC21-](#)  
[2007X](#) [2052-1618-02](#) [MS27467T17B8S](#) [M83723/72R2028N](#) [4000-04AW18K999](#) [2041021-4](#) [1971862-2](#) [MS25036-118](#) [CB10LH103M](#)  
[MS25036-125](#) [MS20659-140](#) [CBT25J1M0](#) [MS20659-143](#) [MS20659-124](#) [MS20659-120](#) [0598034002](#) [MS20659-108](#) [8-917542-2](#) [894645-](#)  
[000](#) [PCH-124D2MH,000](#) [568176-6](#) [5-690482-4](#) [570831-000](#) [5745438-3](#) [5745652-2](#) [CRB-48-70180](#) [5767006-7](#) [58061-1](#) [58062-1](#) [58082-1](#)  
[58113-5](#) [58284-1](#) [582843-6](#) [58380-2](#)