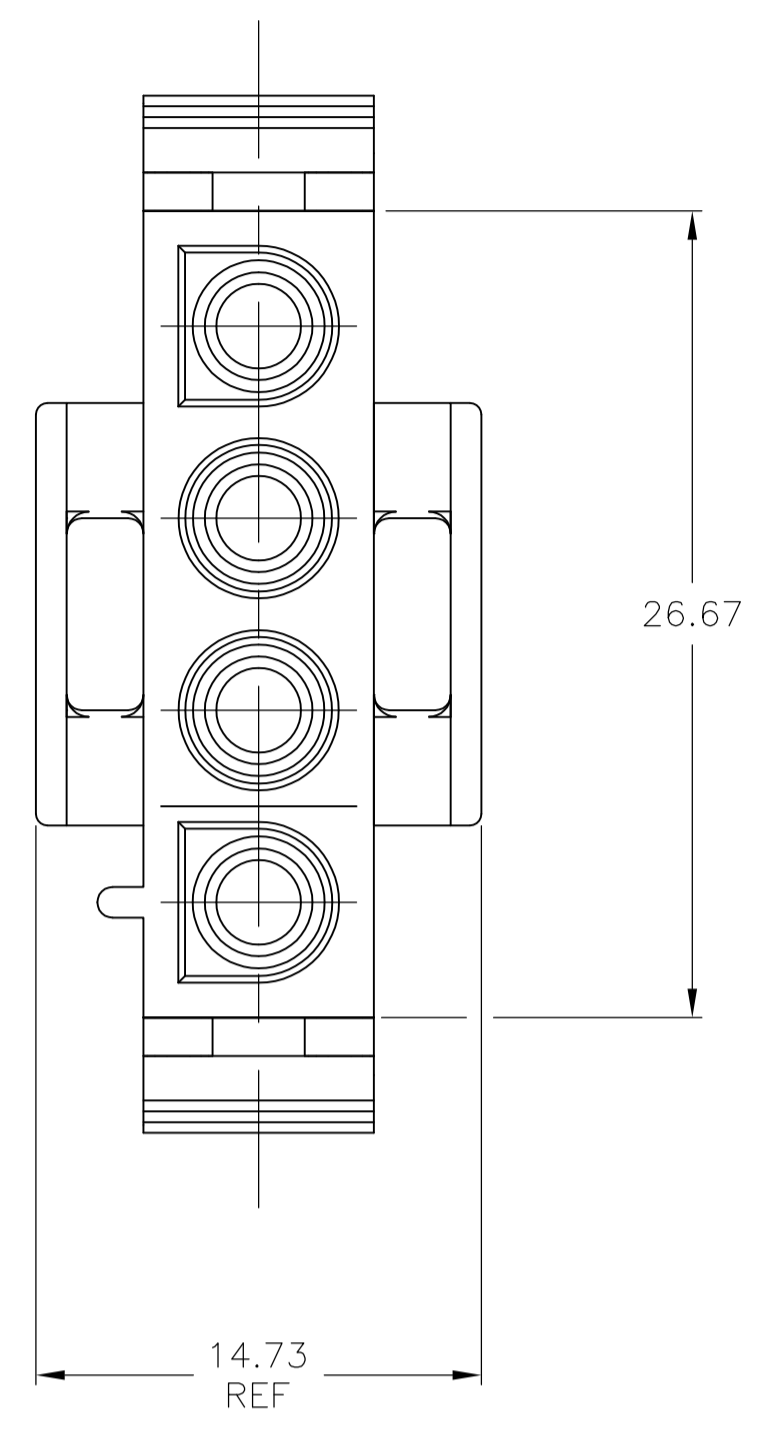
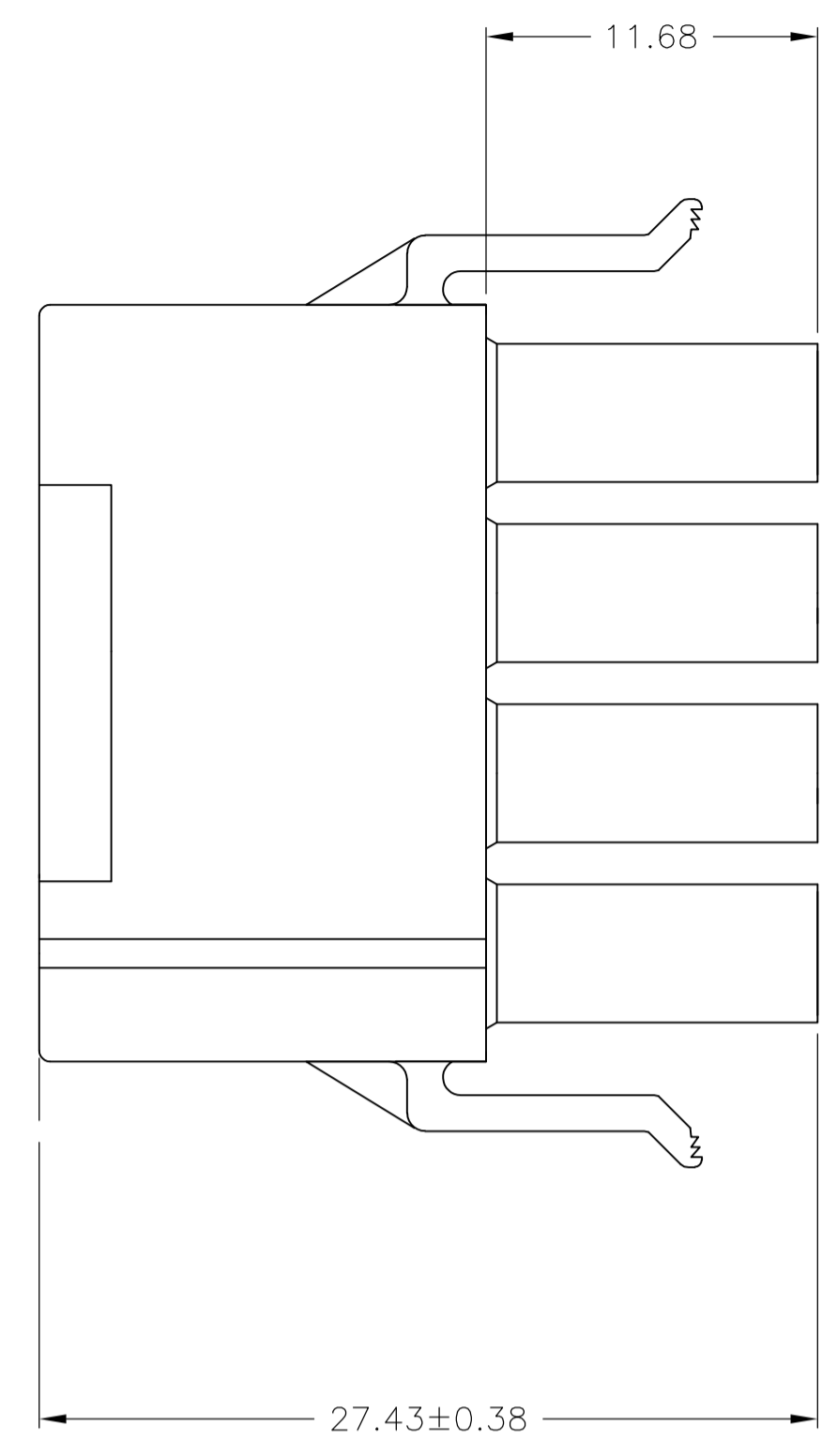
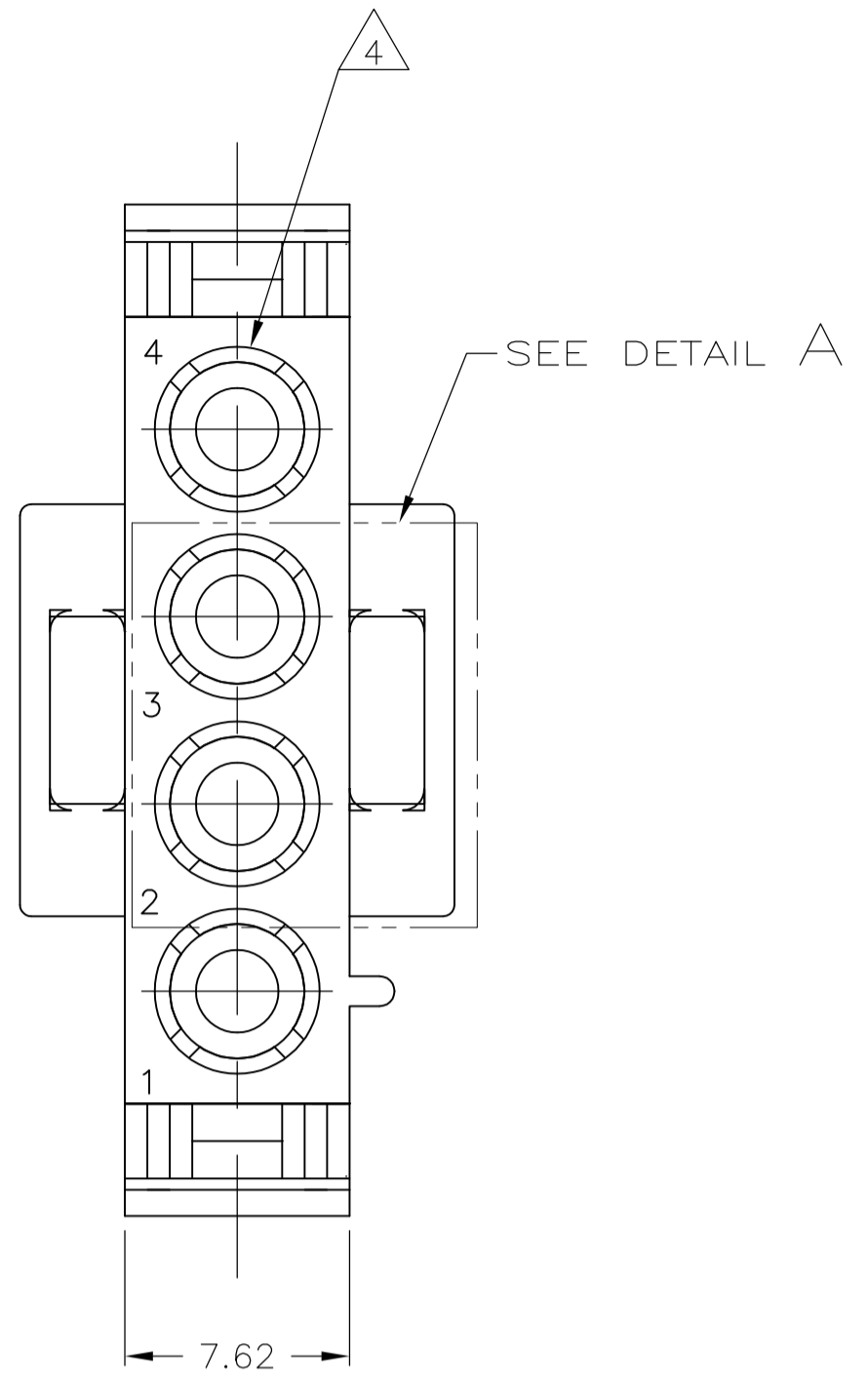
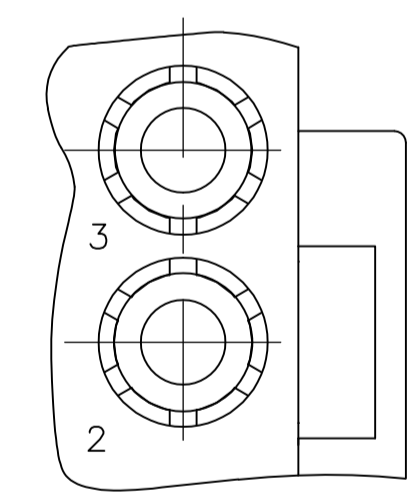
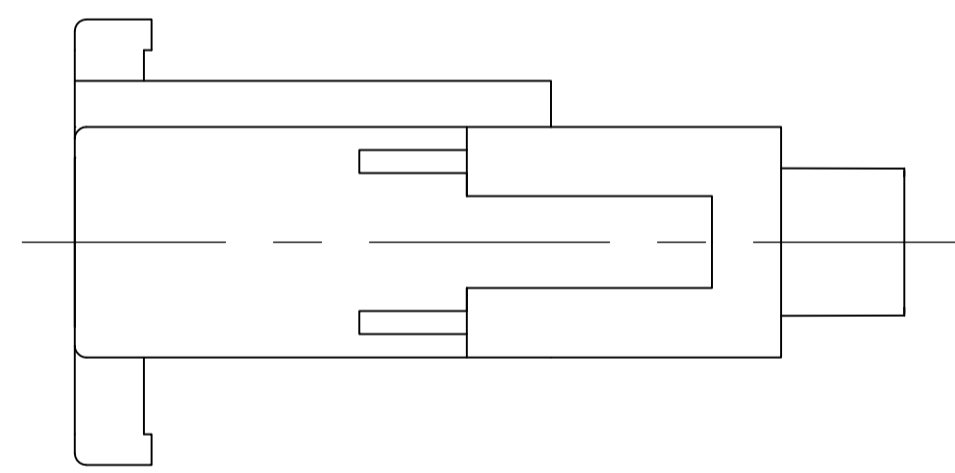


REVISIONS					
P	LTR	DESCRIPTION	DATE	DMN	APVD
A1		REVISED PER ECR-17-015922	07NOV2017	BDA	KR



- MATES WITH APPROPRIATE UNIVERSAL MATE-N-LOK™ CAP OR HEADER.
 - SMALL NICKS ARE PERMITTED ON THE CIRCUIT TOWERS WHICH COULD INCREASE THE INITIAL HOUSING MATING FORCE BY UP TO 4.4 NEWTONS [1.0 LBS]. NO INDIVIDUAL NICKED TOWER SHALL INCREASE THIS FORCE BY OVER 2.2 NEWTONS [.5 LBS].
 - DIMENSIONS SHOWN REPRESENT PRODUCT IN DRY, AS MOLDED, CONDITION. ADDITIONAL 2% GROWTH DUE TO SUBSEQUENT MOISTURE ABSORPTION MAY OCCUR AND SHOULD BE ACCOUNTED FOR.
- △ FOUR RIBS EQUALLY SPACED, NO SPECIFIC ORIENTATION. SIX RIBS EQUALLY SPACED, NO SPECIFIC ORIENTATION, OPTIONAL.



DETAIL A
OPTIONAL CONSTRUCTION

NATURAL	2029387-1
COLOR	PART NO.

THIS DRAWING IS A CONTROLLED DOCUMENT.		DIN jr_ruth 10AUG11		TE Connectivity	
DIMENSIONS: mm		CHK TOM_MICHELUTTI 10AUG11		NAME PLUG, 4 CIRCUIT, UNIVERSAL MATE-N-LOK™	
TOLERANCES UNLESS OTHERWISE SPECIFIED:		APVD TOM_MICHELUTTI 10AUG11		PRODUCT SPEC	
0. PLC ± -		APPLICATION SPEC		SIZE CAGE CODE DRAWING NO. RESTRICTED TO	
1. PLC ± -		WEIGHT		A1 00779 C=2029387	
2. PLC ± 0.20		CUSTOMER DRAWING		SCALE 4:1 SHEET 1 OF 1 REV A1	
3. PLC ± -					
4. PLC ± -					
ANGLES ± 0°30'					
MATERIAL NYLON,UL 94V-0		FINISH -			

X-ON Electronics

Largest Supplier of Electrical and Electronic Components

Click to view similar products for [Pin & Socket Connectors](#) category:

Click to view products by [TE Connectivity](#) manufacturer:

Other Similar products are found below :

[6450822-1](#) [770392-1](#) [796885-1](#) [8-794535-1](#) [PLR3455ACS-222](#) [R929991004](#) [R929993001](#) [R929993003](#) [1403611-1](#) [1-480349-5](#) [152302-5](#)
[1586091-1](#) [1586092-1](#) [1586129-1](#) [1586681-4](#) [1586700-1](#) [1586368-1](#) [1586380-1](#) [1586616-1](#) [1586680-5](#) [164164-5](#) [1-6609930-1](#) [172296-1](#)
[19-09-2035](#) [200503-1](#) [200788-2](#) [2029090-4](#) [2029095-4](#) [925061-7](#) [293734-4](#) [293737-2](#) [1-765362-4](#) [1-794606-3](#) [200833-4](#) [2008625-2](#)
[2029027-2](#) [2029096-4](#) [R929991000](#) [R929991002](#) [R929993000](#) [319-10-101-00-005000](#) [319-10-102-00-001000](#) [319-10-104-00-001000](#)
[319-10-105-00-001000](#) [319-10-108-00-001000](#) [319-10-112-00-006000](#) [39-01-8019](#) [319-10-101-00-001000](#) [319-10-102-00-005000](#)
[39-03-6151](#)