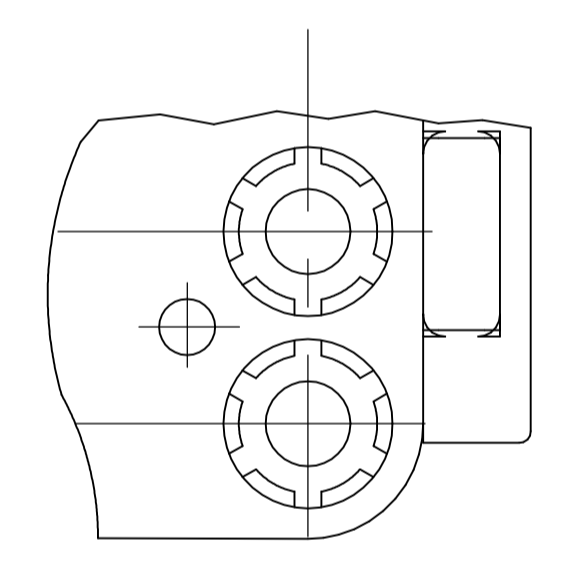
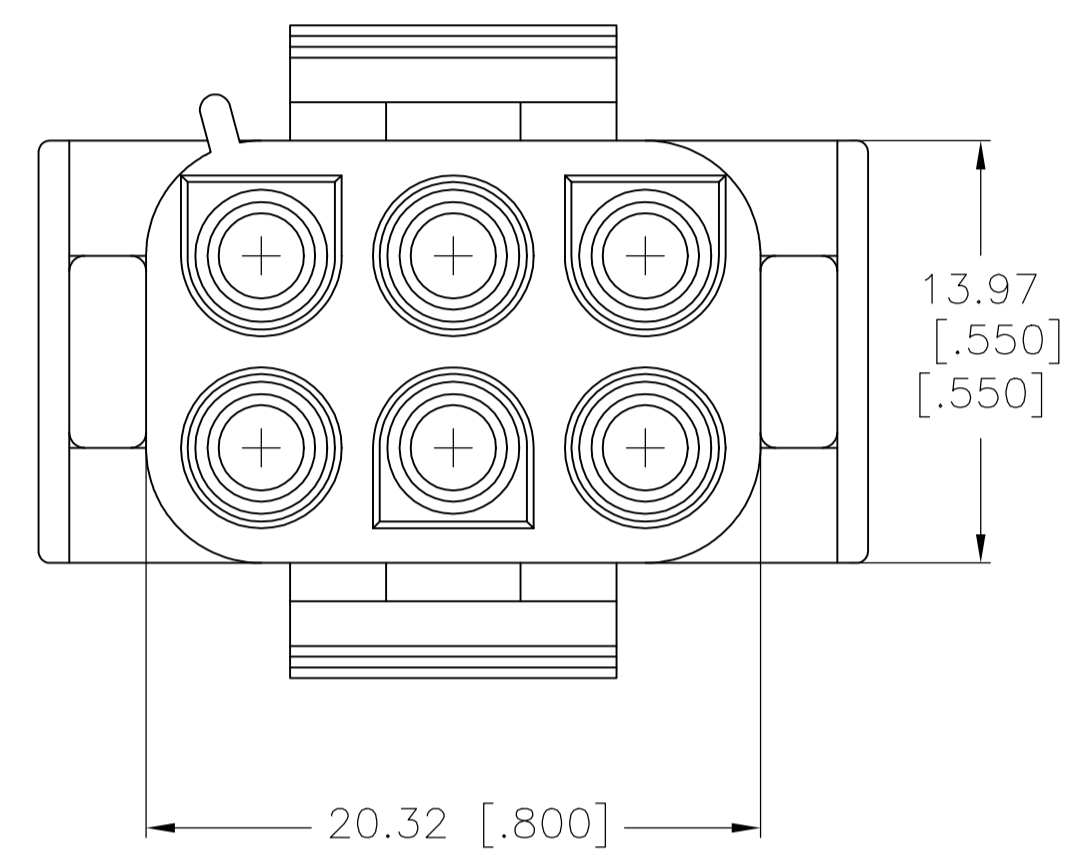
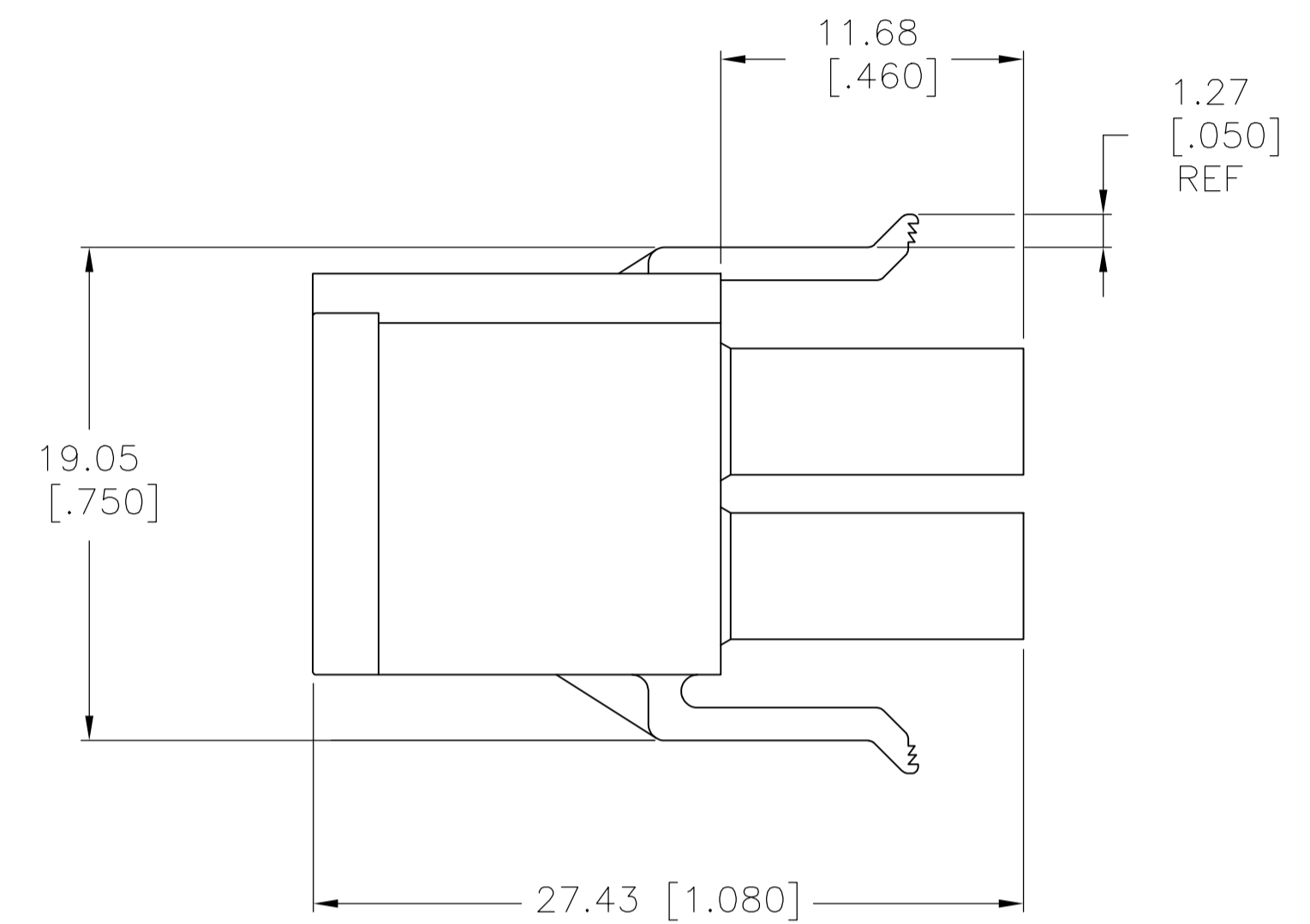
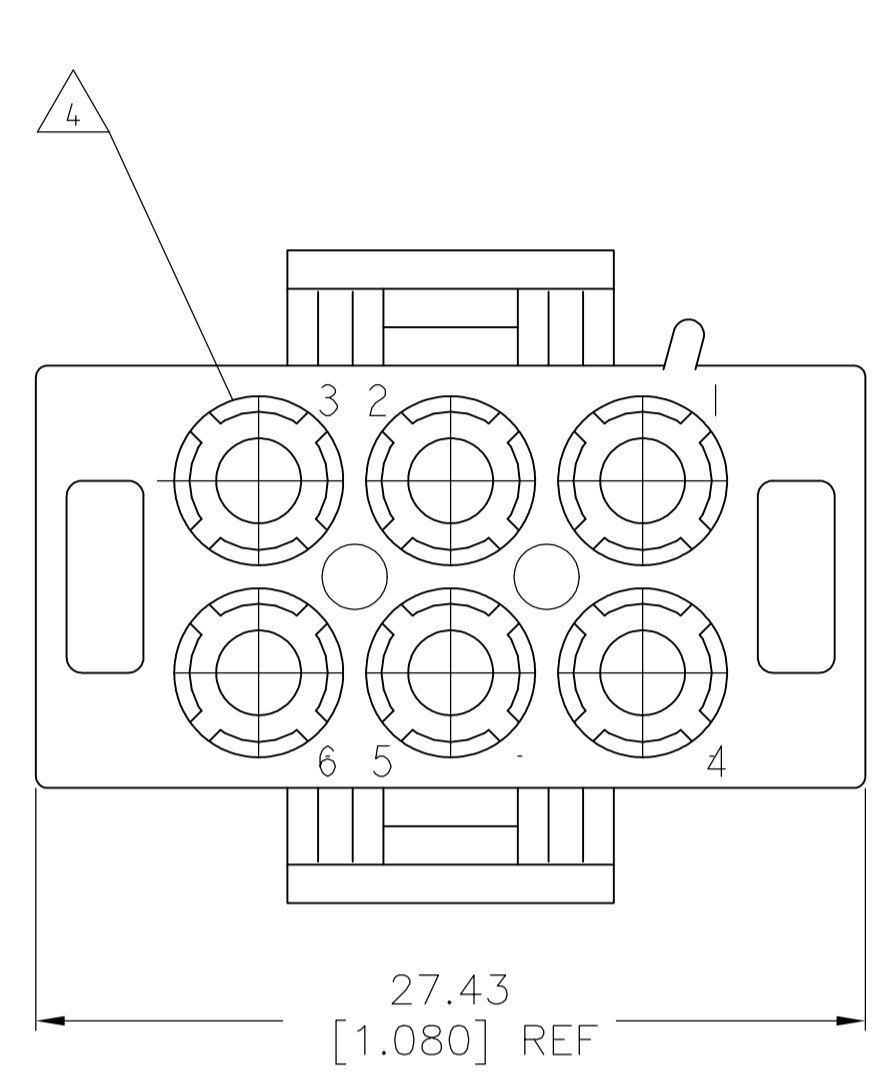
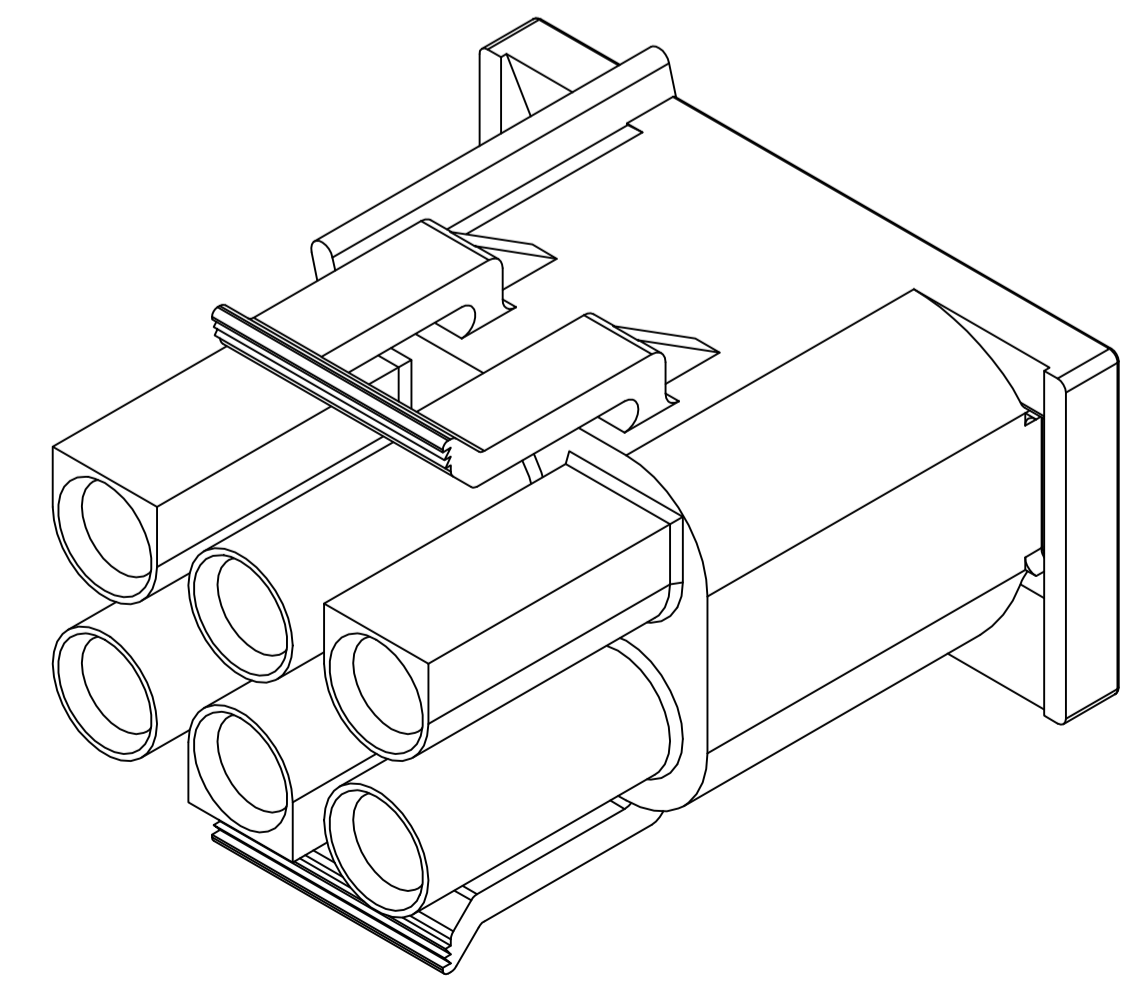
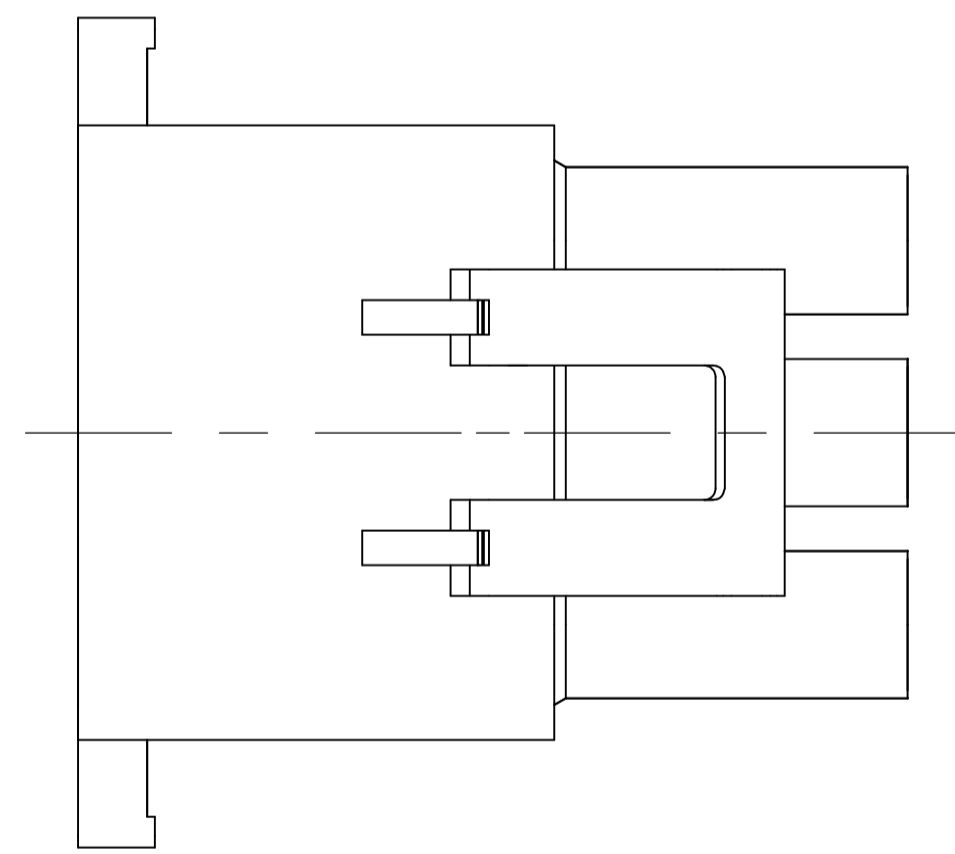


- MATES WITH APPROPRIATE UNIVERSAL MATE-N-LOK™ CAP OR HEADER.
 - SMALL NICKS ARE PERMITTED ON THE CIRCUIT TOWERS WHICH COULD INCREASE THE INITIAL HOUSING MATING FORCE BY UP TO 4.4 NEWTONS [1.0 LBS]. NO INDIVIDUAL NICKED TOWER SHALL INCREASE THIS FORCE BY OVER 2.2 NEWTONS [.5 LBS].
 - DIMENSIONS SHOWN REPRESENT PRODUCT IN DRY, AS MOLDED, CONDITION. ADDITIONAL 2% GROWTH DUE TO SUBSEQUENT MOISTURE ABSORPTION MAY OCCUR AND SHOULD BE ACCOUNTED FOR.
- △4 FOUR RIBS EQUALLY SPACED, NO SPECIFIC ORIENTATION, OR SIX RIBS EQUALLY SPACED, NO SPECIFIC ORIENTATION, OPTIONAL
- △5 MOLDING COMPOUND; 3-703939-8, (66/6 NYLON, RED, VO) NO OTHER RESIN MAY BE USED OR SUBSTITUTED.



OPTIONAL CONSTRUCTION △4



THIS DRAWING IS A CONTROLLED DOCUMENT.		DIN 130EC13		2029457-1	
DIMENSIONS: mm [INCHES]		TOLERANCES UNLESS OTHERWISE SPECIFIED:		MATERIAL	
0. PLC ± -		1. PLC ± -		PART NUMBER	
1. PLC ± -		2. PLC ± 0.51 [.020]		STE TE Connectivity	
2. PLC ± -		3. PLC ± -		PLUG, SHORT LATCH, 6 CIRCUIT, UNIVERSAL MATE-N-LOK™	
3. PLC ± -		4. PLC ± -		APPLICATION SPEC	
4. PLC ± -		ANGLES ± 0° 30'		SIZE CAGE CODE DRAWING NO	
SEE TABLE		FINISH -		A1 00779 C=2029457	
				CUSTOMER DRAWING	
				SCALE 4:1 SHEET 1 OF 1 REV A1	

X-ON Electronics

Largest Supplier of Electrical and Electronic Components

Click to view similar products for [Headers & Wire Housings](#) category:

Click to view products by [TE Connectivity](#) manufacturer:

Other Similar products are found below :

[892-18-020-10-001101](#) [58102-G61-06LF](#) [582553-1](#) [0009485154](#) [009176003701906](#) [0050291907](#) [LY20-4P-DT1-P1E-BR](#) [02.125.8002.8](#)
[609-3404](#) [61062-3](#) [61082-181009](#) [622-3653LF](#) [63453-116](#) [636-1030](#) [636-1427](#) [636-3427](#) [636-4007](#) [641938-9](#) [641991-4](#) [644827-2](#) [65817-010LF](#) [65817-015LF](#) [65863-015LF](#) [66207-023LF](#) [67095-007LF](#) [67601157](#) [68645-018](#) [68648-049](#) [70.362.1628.0](#) [70-4210](#) [70-4226B](#) [70-4853B](#) [707-5020](#) [707-5028](#) [71.350.2428.0](#) [71918-208LF](#) [71961-016LF](#) [733-134](#) [733-162](#) [754199-000](#) [760-3052](#) [787-8014-00](#) [79531-3000](#)
[FCN-360C032-B](#) [FCN-367T-T012/H](#) [FCN-723D010/2](#) [80.063.4001.1](#) [800-90-001-10-001000](#) [800-90-010-10-002000](#) [801-43-002-10-013000](#)