

| REVISIONS | | | | | |
|-----------|-----|------------------|-----------|-----|------|
| P | LTR | DESCRIPTION | DATE | DWN | APVD |
| | Z | PRODUCTION ISSUE | 31JAN2019 | PNT | MT |

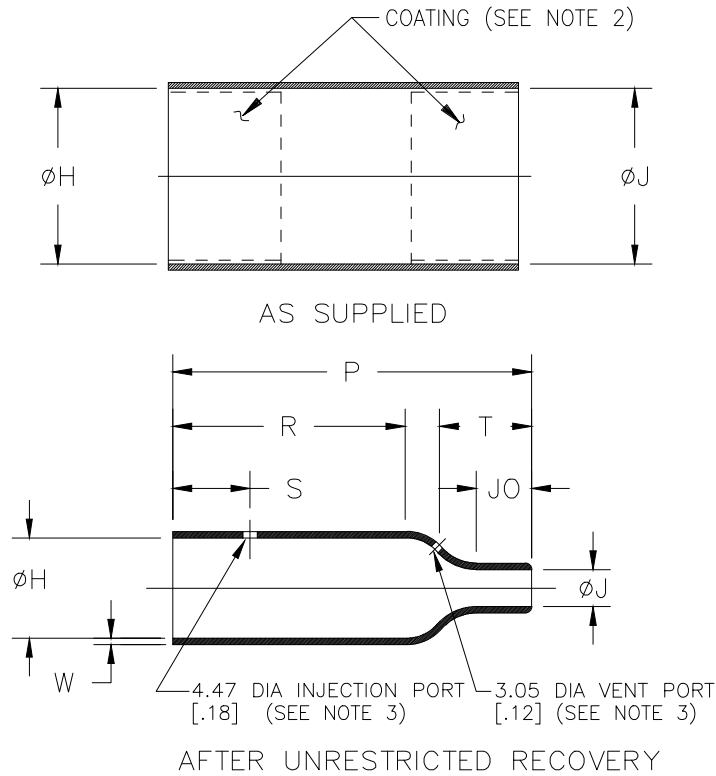


TABLE OF DIMENSIONS




| PART NUMBER | H | | | | J | | | | P ±10% b | R ±10% b | S Ref b | T Ref b | JO Ref b | W ±20% b |
|-------------|-----------------------|----------------------|----------------|----------------|-----------------------|----------------------|----------------|----------------|-----------------|-----------------|----------------|----------------|----------------|----------------|
| | Min -3,-4,-25 a | Min -12,-100 a | Min -6 a | Max b | Min -3,-4,-25 a | Min -12,-100 a | Min a | Max b | | | | | | |
| 202A111 | 16.5 [.65] | 16.5 [.65] | 16.5 [.65] | 7.9 [.31] | 16.5 [.65] | 11.9 [.47] | 16.5 [.65] | 3.8 [.15] | 25.4 [1.00] | 14.2 [.56] | 12.7 [.50] | N/A | 5.8 [.23] | 1.27 [.05] |
| 202A121 | 24.6 [.97] | 22.6 [.89] | 23.4 [.92] | 9.9 [.39] | 24.6 [.97] | 17.8 [.70] | 23.4 [.92] | 5.3 [.21] | 38.1 [1.50] | 21.8 [.86] | 15.2 [.60] | N/A | 9.1 [.36] | 1.52 [.06] |
| 202A132 | 28.4 [1.12] | 26.2 [1.03] | 26.7 [1.05] | 14.2 [.56] | 28.4 [1.12] | 20.3 [.80] | 26.7 [1.05] | 6.6 [.26] | 51.3 [2.02] | 27.9 [1.10] | 19.1 [.75] | 16.0 [.63] | 13.0 [.51] | 1.78 [.07] |
| 202A142 | 31.0 [1.22] | 31.0 [1.22] | 31.0 [1.22] | 17.8 [.70] | 31.0 [1.22] | 25.4 [1.00] | 31.0 [1.22] | 7.4 [.29] | 66.8 [2.63] | 35.6 [1.40] | 19.1 [.75] | 22.1 [.87] | 17.8 [.70] | 1.78 [.07] |
| 202A153 | 36.0 [1.42] | 36.0 [1.42] | 36.0 [1.42] | 21.9 [.86] | 36.0 [1.42] | 26.2 [1.03] | 36.0 [1.42] | 8.6 [.34] | 73.7 [2.90] | 41.4 [1.63] | 19.1 [.75] | 22.1 [.87] | 16.0 [.63] | 1.78 [.07] |
| 202A163 | 42.7 [1.68] | 42.7 [1.68] | 42.7 [1.68] | 27.4 [1.08] | 42.7 [1.68] | 27.2 [1.07] | 42.7 [1.68] | 9.4 [.37] | 99.1 [3.90] | 62.7 [2.47] | 19.1 [.75] | 25.2 [.99] | 18.0 [.71] | 2.03 [.08] |
| 202A174 | 51.8 [2.04] | 48.3 [1.90] | 51.8 [2.04] | 35.3 [1.39] | 51.8 [2.04] | 48.3 [1.90] | 51.8 [2.04] | 16.0 [.63] | 130.3 [5.13] | 64.8 [2.55] | 25.4 [1.00] | 50.8 [2.00] | 41.9 [1.65] | 3.30 [.13] |
| 202A185 | 66.0 [2.60] | 66.0 [2.60] | 66.0 [2.60] | 43.7 [1.72] | 66.0 [2.60] | 54.1 [2.13] | 66.0 [2.60] | 19.6 [.77] | 161.3 [6.35] | 90.2 [3.55] | 25.4 [1.00] | 54.6 [2.15] | 47.8 [1.88] | 3.81 [.15] |
| 202A196 | 86.4 [3.40] | 86.4 [3.40] | 86.4 [3.40] | 57.2 [2.25] | 86.4 [3.40] | 71.4 [2.81] | 86.4 [3.40] | 26.9 [1.06] | 212.6 [8.37] | 113.0 [4.45] | 25.4 [1.00] | 80.0 [3.15] | 62.2 [2.45] | 4.06 [.16] |

RELEASED FOR PUBLICATION

ALL RIGHTS RESERVED.

TE Connectivity Ltd.

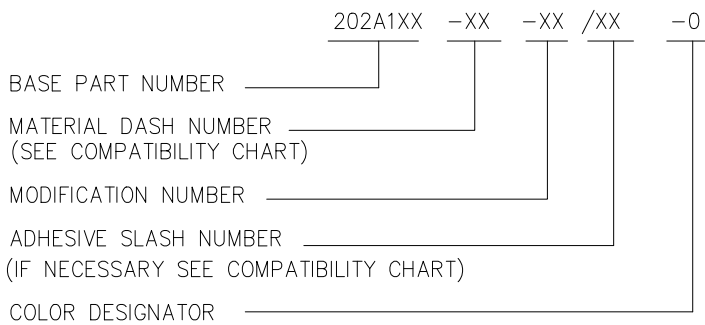
THIS DRAWING IS UNPUBLISHED.

| | | | | |
|---|------------------|-----------|---|--------------------------|
| DIMENSIONS: mm [INCHES] | DWN | 31JAN2019 | MATERIAL | FINISH |
| | PRAVEEN N T | | SEE SHEET 2 | - |
| TOLERANCES UNLESS OTHERWISE SPECIFIED: | CHK | 31JAN2019 |  TE Connectivity Ltd. | |
| | N NAGAR | | | |
| 0 PLC ± - 1 PLC ± 0.50[.1] 2 PLC ± 0.25[.01] 3 PLC ± 0.13[.005] 4 PLC ± - ANGLES ± 1° | APVD | 31JAN2019 | NAME BOOT, STRAIGHT, OVEREXPANDED | |
| | M TAYLOR | | | |
|   | PRODUCT SPEC | - | SIZE | RESTRICTED TO |
| | APPLICATION SPEC | - | A4 | - |
| WEIGHT | A4 00779 | | DRAWING NO | 202A111-XX-0THRU196-XX-0 |
| CUSTOMER DRAWING | | | SCALE | DNS |
| | | | SHEET | 1 OF 2 |
| | | | REV | Z |

| REVISIONS | | | | | |
|-----------|-----|-------------|------|-----|------|
| P | LTR | DESCRIPTION | DATE | DWN | APVD |
| | - | SEE SHEET 1 | - | - | - |

| COMPATABILITY CHART | | | | |
|---------------------|--------------------------------------|---------|-------------------|-------------------|
| MATERIAL DASH NO. | MATERIAL DESCRIPTION | RT SPEC | COATING SLASH NO. | COATING S NO. |
| -3 | Polyolefin, Semi-rigid | RT-301 | /42;/86;/180 | S1017;S1048;S1030 |
| -4 | Polyolefin, Flexible | RT-1304 | /42;/86;/180 | S1017;S1048;S1030 |
| -12 | Fluoroelastomer, Flexible | RT-1312 | N/A | N/A |
| -25 | Elastomer, Fluid Resistant | RW-2070 | /42;/86;/225 | S1017;S1048;S1206 |
| -100 | Polyolefin, Semi-flexible ZEROHAL | RW-2082 | /86;/180 | S1048;S1030 |

ORDERING INFORMATION



NOTES:

- DIMENSIONS APPEARING IN TABLE ARE AS FOLLOWS:
 - a - AS SUPPLIED
 - b - AFTER UNRESTRICTED RECOVERY
- COATING (ADHESIVE) IS OPTIONAL. AS SUPPLIED DIMENSIONS APPEARING IN TABLE ARE FOR UNCOATED PARTS. WHEN COATING IS ADDED, ENTRY DIAMETER WILL BE REDUCED BY 1.5mm[.06] MAX.
- MOLDING PORTS ARE OPTIONAL. WHEN -00 MODIFICATION NUMBER IS SPECIFIED, MOLDING PORTS WILL BE LOCATED AS SHOWN.

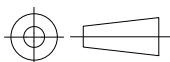
RELEASED FOR PUBLICATION

ALL RIGHTS RESERVED.

COPYRIGHT - TE Connectivity Ltd.

THIS DRAWING IS UNPUBLISHED.

| | | | |
|--|---------------------------------|--|--------------------|
| DIMENSIONS: mm [INCHES] | DWN PRAVEEN N T 31JAN2019 | MATERIAL - | FINISH - |
| | CHK N NAGAR 31JAN2019 | TE Connectivity Ltd. | |
| TOLERANCES UNLESS OTHERWISE SPECIFIED: | APVD M TAYLOR 31JAN2019 | | |
| 0 PLC ± - | PRODUCT SPEC - | SIZE A4 | CAGE CODE 00779 |
| 1 PLC ± 0.50[.1] | APPLICATION SPEC - | DRAWING NO G-202A111-XX-0THRU196-XX-0 | RESTRICTED TO - |
| 2 PLC ± 0.25[.01] | WEIGHT | CUSTOMER DRAWING | |
| 3 PLC ± 0.13[.005] | | SCALE DNS | SHEET 2 OF 2 |
| 4 PLC ± - | | | REV Z |
| ANGLES ± 1° | | | |



X-ON Electronics

Largest Supplier of Electrical and Electronic Components

Click to view similar products for [Heat Shrink Cable Boots & End Caps](#) category:

Click to view products by [TE Connectivity](#) manufacturer:

Other Similar products are found below :

[577159N001](#) [645494-000](#) [CX4132-000](#) [687025-000](#) [705331-000](#) [718446-000](#) [725666N001](#) [729257-000](#) [F27131-000](#) [F85868-000](#) [770-003S106W2](#) [806542N001](#) [807507-000](#) [808059-000](#) [808362-000](#) [808618-000](#) [809125-000](#) [809130-000](#) [809218-000](#) [812014-000](#) [812047-000](#) [813166-000](#) [813767N002](#) [814741-000](#) [819117N001](#) [823026-000](#) [823070-000](#) [825002-000](#) [841189N001](#) [861471-000](#) [866647-000](#) [879515-000](#) [937577-000](#) [957073-000](#) [982033-2](#) [A77813-000](#) [R280576000](#) [D96192-000](#) [163549-000](#) [MTPSRBCL-C](#) [1954015-1](#) [200W531-3-0](#) [202A163-4-0-CS5067](#) [202A343-3-00-0](#) [202B221-13-0](#) [202B231-13-0](#) [202B563-25-07-0](#) [202C241-13-0](#) [202D121-4-01/86-0](#) [202D132-4-07/42-0](#)