



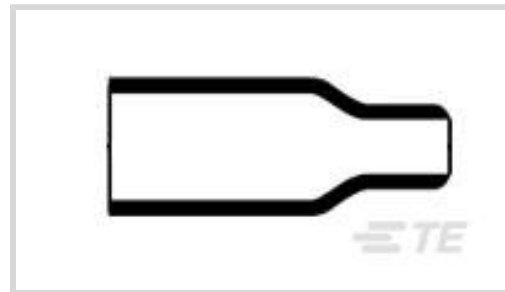
Raychem

TE Internal #: 595431-000

Heat Shrink Boots, 180°, Molded Part Shape Code 202, 3, 10,
Adhesive Pre-Coat, Operating Temperature Range -55 – 135 °C
[-67 – 275 °F]

[View on TE.com >](#)

Wire Protection & Management > Heat Shrink Molded Shapes > Heat Shrink Boots > Heat Shrink Boots: Non Lipped, Straight



Molded Part Angle: 180°

Molded Part Shape Code: 202

Lipped: No

Material Code: 3

Heat Shrink Boot Material Systems Code: 10

[All Heat Shrink Boots: Non Lipped, Straight \(171\)](#)

Features

Product Type Features

| | |
|-------------------|------|
| Molded Part Angle | 180° |
|-------------------|------|

Configuration Features

| | |
|--------|----|
| Lipped | No |
|--------|----|

Body Features

| | |
|--|--------------------------------|
| Material Code | 3 |
| Heat Shrink Boot Material Systems Code | 10 |
| Adhesive Pre-Coat | Yes |
| Material | Semi-Rigid Modified Polyolefin |

Dimensions

| | |
|-----------------------------|--|
| Wire/Cable Outside Diameter | .3 in, .31 in, .35 in, .39 in, .43 in, .433 in, .47 in, .55 in, 10 mm, 11 mm, 12 mm, 14 mm, 8 mm, 9 mm |
| Cable Diameter Range | 7.4 – 25.4 mm [.291 – 1 in] |

Usage Conditions

| | |
|-----------------------------|-----------------------------|
| Operating Temperature Range | -55 – 135 °C [-67 – 275 °F] |
|-----------------------------|-----------------------------|

Operation/Application

| | |
|-----------------------|----|
| Power Cable Accessory | No |
|-----------------------|----|



Industry Standards

| | |
|----------------------|---|
| Approved Standards | BS-G-198-5-DA, DEF Std 59-97 Issue 3 Type DA, SAE AS I 81765/1, Type I, UL 224, File E85381 |
| Government Qualified | No |

Other

| | |
|-----------------------------|------------------------------------|
| Molded Part Shape Code | 202 |
| Fluid & Chemical Resistance | Occasional exposure to fluids |
| Adhesive Type | High Performance Pre-Coat Adhesive |

Product Compliance

[For compliance documentation, visit the product page on TE.com>](#)

| | |
|---|---|
| EU RoHS Directive 2011/65/EU | Compliant |
| EU ELV Directive 2000/53/EC | Compliant |
| China RoHS 2 Directive MIIT Order No 32, 2016 | No Restricted Materials Above Threshold |
| EU REACH Regulation (EC) No. 1907/2006 | Current ECHA Candidate List: JAN 2021 (211) Candidate List Declared Against: JAN 2021 (211) Does not contain REACH SVHC |
| Halogen Content | Not Low Halogen - contains Br or Cl > 900 ppm. |
| Solder Process Capability | Not applicable for solder process capability |

Product Compliance Disclaimer

This information is provided based on reasonable inquiry of our suppliers and represents our current actual knowledge based on the information they provided. This information is subject to change. The part numbers that TE has identified as EU RoHS compliant have a maximum concentration of 0.1% by weight in homogenous materials for lead, hexavalent chromium, mercury, PBB, PBDE, DBP, BBP, DEHP, DIBP, and 0.01% for cadmium, or qualify for an exemption to these limits as defined in the Annexes of Directive 2011/65/EU (RoHS2). Finished electrical and electronic equipment products will be CE marked as required by Directive 2011/65/EU. Components may not be CE marked. Additionally, the part numbers that TE has identified as EU ELV compliant have a maximum concentration of 0.1% by weight in homogenous materials for lead, hexavalent chromium, and mercury, and 0.01% for cadmium, or qualify for an exemption to these limits as defined in the Annexes of Directive 2000/53/EC (ELV). Regarding the REACH Regulation, the information TE provides on SVHC in articles for this part number is based on the latest European Chemicals Agency (ECHA) 'Guidance on requirements for substances in articles' posted at this URL: <https://echa.europa.eu/guidance-documents/guidance-on-reach>

Compatible Parts

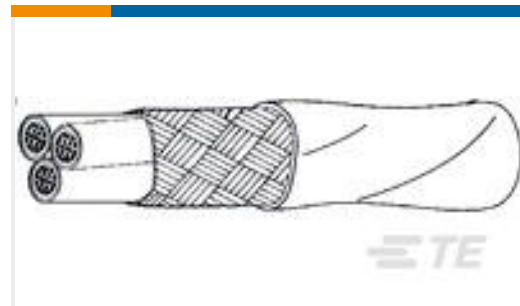


TE Part # CJ2087-000
HL2010E-KIT-120V

Customers Also Bought



TE Part #205161-1
AMPLIMITE,ASY,RCPT,STD,109,1



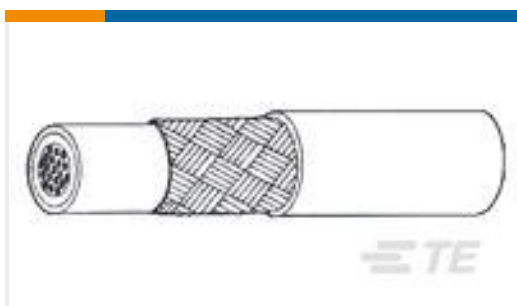
TE Part #158631-000
44AM1131-20-MST3-9CS2275



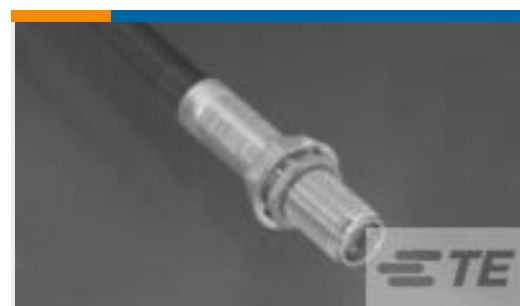
TE Part #2560-201-2031L
CONT PIN



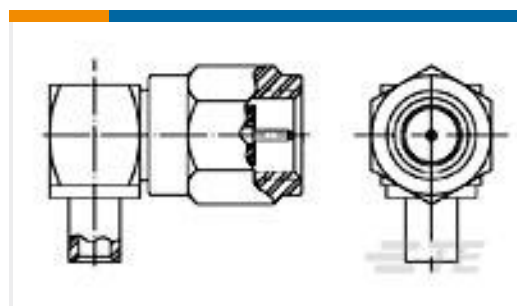
TE Part #205169-1
RECEPT ASSY,50 POSN,AMPLIMITE



TE Part #073455-000
44AM1111-24-9-9CS2275



TE Part #1051994-1
2034 8026 92



TE Part #1058993-1
4007 7947 00



TE Part #YDIV43E11-35PNC009
RECP ASSY



TE Part #2-1532186-8
M83513/03-H11C, MCKS-C2-B-
100P6Q9-18.0

Documents

Product Drawings

[202A142-3/86-0](#)

English

Datasheets & Catalog Pages

[1654025_Sec4_-3](#)

English

Raychem Molded Parts Visual Guide

English



Product Specifications

[Product Specification](#)

English

Product Environmental Compliance

[Safety Datasheet](#)

[Safety Datasheet](#)

English

[Safety Datasheet](#)

French

[Safety Datasheet](#)

German

[Safety Datasheet](#)

[Safety Datasheet](#)

[Safety Datasheet](#)

[Safety Datasheet](#)

[Safety Datasheet](#)

[Safety Datasheet](#)

English

[Safety Datasheet](#)

French

[Safety Datasheet](#)

German

[Safety Datasheet](#)

[Safety Datasheet](#)

[Safety Datasheet](#)

[Safety Datasheet](#)

[Safety Datasheet](#)

English

X-ON Electronics

Largest Supplier of Electrical and Electronic Components

Click to view similar products for [Heat Shrink Cable Boots & End Caps](#) category:

Click to view products by [TE Connectivity](#) manufacturer:

Other Similar products are found below :

[577159N001](#) [645494-000](#) [CX4132-000](#) [687025-000](#) [705331-000](#) [718446-000](#) [725666N001](#) [729257-000](#) [F27131-000](#) [F85868-000](#) [770-003S106W2](#) [770-013210W1](#) [770-013311](#) [770-013312](#) [806542N001](#) [807507-000](#) [808059-000](#) [808362-000](#) [808618-000](#) [809125-000](#) [809130-000](#) [809218-000](#) [812014-000](#) [812047-000](#) [813166-000](#) [813767N002](#) [814741-000](#) [819117N001](#) [823026-000](#) [823070-000](#) [825002-000](#) [841189N001](#) [861471-000](#) [866647-000](#) [879515-000](#) [937577-000](#) [957073-000](#) [982033-2](#) [A77813-000](#) [R280576000](#) [D96192-000](#) [163549-000](#) [MTPSRBCL-C](#) [1954015-1](#) [200W531-3-0](#) [202A163-4-0-CS5067](#) [202A343-3-00-0](#) [202B221-13-0](#) [202B231-13-0](#) [202B563-25-07-0](#)