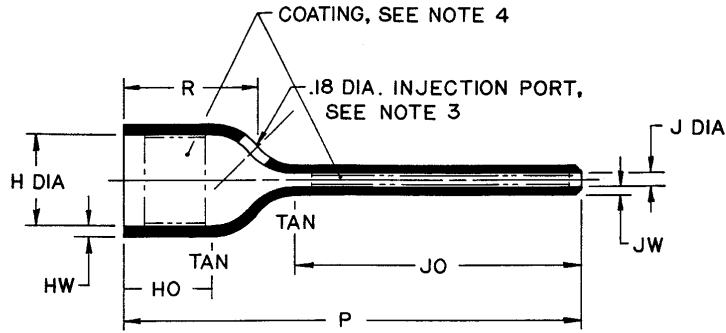


REVISIONS			
LTR	DESCRIPTION	DATE	APPROVED
A		3-18-83	<i>[Signature]</i>



NOTES:

- All dimensions are in inches (millimeters).
- Dimensions appearing in table are as follows:
  - As supplied
  - After unrestricted recovery
- When (-00) modification no. is specified, part shall have injection port located as shown and shall be supplied with plug 002A011 of same material.
- When slash no. is specified, parts shall be coated as shown.

ORDERING INFORMATION:

Base part number 202A921 -3 -00 /42

Material dash number \_\_\_\_\_

-3 Polyolefin, semi-rigid (RT-301)  
 -4 Polyolefin, flexible (RT-1304)  
 -12 Viton, flexible (RT-1312)  
 -25 Elastomer, fluid resistant (RT-1325)

Modification number \_\_\_\_\_

-00 Injection port

Slash number \_\_\_\_\_

/42 S1017 Adhesive (For -3 & -4 material only)

PART NO.	H		J		P ±10%	R ±15%	HO ±10%	JO ±10%	HW ±20%	JW ±20%	
	Min a	Max b	Min a -25 -3 & -4	Max b -12							
202A921	.76 (19,3)	.51 (13,0)	.25 (6,3)	.18 (4,5)	.08 (2,1)	2.38 (60,5)	.70 (17,8)	.46 (11,7)	1.49 (37,8)	.06 (1,52)	.045 (1,14)

SPECIFICATION CONTROL DRAWING

THIS DRAWING AND THE INFORMATION SET FORTH HEREON ARE THE PROPERTY OF RAYCHEM CORPORATION, AND ARE TO BE HELD IN TRUST AND CONFIDENCE. PUBLICATION, DUPLICATION, DISCLOSURE, OR USE FOR ANY PURPOSE NOT EXPRESSLY AUTHORIZED IN WRITING BY RAYCHEM CORPORATION IS PROHIBITED.  DO NOT SCALE THIS DRAWING	DRAWN	<i>K. Tomala 12/24/77</i>	<b>Raychem</b> <small>RAYCHEM CORPORATION          300 CONSTITUTION DRIVE          MENLO PARK, CALIFORNIA 94025</small>	
	CHECKED	<i>S. J. [Signature] 12-29-77</i>		
	DSGN APPD	<i>RNC 1/5/78</i>	TITLE	BOOT, STRAIGHT
	MFG APPD	<i>[Signature] 1/5/78</i>	CODE IDENT.	PART NO. 202A921
	QC APPD	<i>S. J. [Signature] 1/5/78</i>	NO. 08080	
MKTG APPD	<i>B. [Signature] 1/12/78</i>		SHEET 1 OF 1	

## X-ON Electronics

Largest Supplier of Electrical and Electronic Components

*Click to view similar products for [Cable Boots](#) category:*

*Click to view products by [TE Connectivity](#) manufacturer:*

Other Similar products are found below :

[618235-000](#) [622A014-3-0](#) [CX4132-000](#) [879103-4](#) [879515-000](#) [889092](#) [982033-2](#) [R280576000](#) [1300830729](#) [MTPSRBCL-C](#) [1811481-1](#)  
[200W531-3-0](#) [202A121-386-0](#) [202A142-4-00/42-0](#) [202A163-4-0-CS5067](#) [202B221-13-0](#) [202B231-13-0](#) [202B563-25-07-0](#)  
[202C621710CS5361](#) [202D132-4-07/42-0](#) [202D221-4-0-CS5349](#) [202D221-4-26-0](#) [202D263-25-08-0](#) [202D263-4-22/42-0](#) [202D263-4-88-0](#)  
[202D921-2542-0](#) [202E336-71-0](#) [202F211-50-22-0-CS8474](#) [202F242-50-05-0](#) [202F242-51-04/164-0](#) [202K121-25-CS-1858-0](#) [202K121-25-](#)  
[CS-2062-0](#) [202K132-25-01/225-0CS8387](#) [202K153-3-0186-0](#) [202S132-25-UP-0](#) [203W301-3/42-0](#) [207W613-100/184-0-CS5657](#) [207W623-](#)  
[100-01/184-0](#) [207W634-100/184-0-CS5657](#) [207W656-100-01/184-0](#) [207W667-100-01/184-0](#) [207W667-100/184-0](#) [208A011-3-0](#) [208A021-3-](#)  
[0](#) [221A011-51164-0-CS7133](#) [222A121-2586](#) [222A152-342-0](#) [222A213-25-0-CS5613](#) [222D221-25-13/86-0](#) [222D232-4-61-0-CS5078](#)