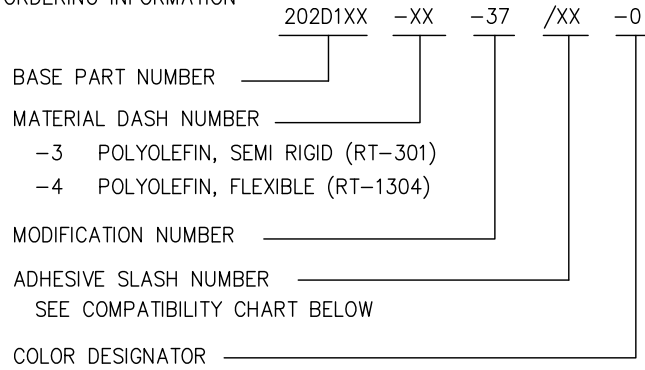


NOTES

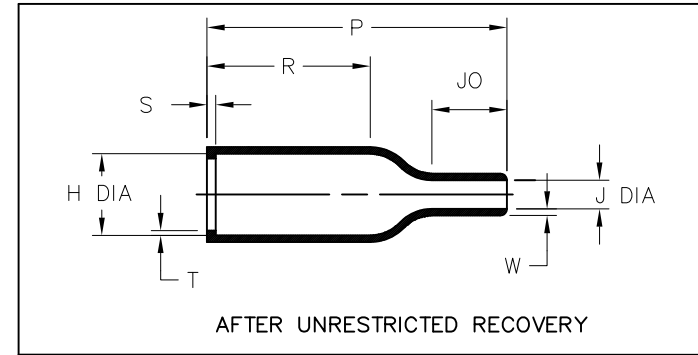
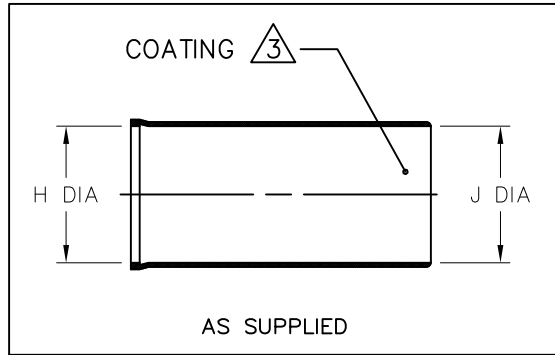
1. ALL DIMENSIONS ARE IN $\frac{\text{INCHES}}{\text{[MILLIMETERS]}}$
2. DIMENSIONS APPEARING IN TABLE ARE AS FOLLOWS:
 - a - AS SUPPLIED
 - b - AFTER UNRESTRICTED RECOVERY

3 COATING (ADHESIVE): IS OPTIONAL AS SUPPLIED DIMENSIONS APPEARING IN TABLE ARE FOR UNCOATED PARTS. WHEN COATING IS ADDED, ENTRY DIAMETER WILL BE REDUCED BY .06 MAX.

4. PARTS TO HAVE ONLY ONE LIP BECAUSE OF CORE CHANGE.
5. ORDERING INFORMATION



REVISIONS		
LTR	DESCRIPTION	DATE
B	REVISED PER ECO-11-001247	1/18/2011



PART DESCRIPTION	H		J		±10% b	P REF b	R REF b	S REF b	T REF b	JO ±10% b	W ±20% b
	MIN	MAX	MIN	MAX							
	a	b	a	b							
202D121-X-37	.92 [23,3]	.41 [10,5]	.92 [23,3]	.22 [5,6]	1.50 [38,1]	.83 [21,1]	.12 [3,0]	.04 [1,0]	.40 [10,2]	.07 [1,78]	
202D132-X-37	1.12 [28,4]	.56 [14,3]	1.12 [28,4]	.26 [6,6]	2.16 [54,9]	1.09 [27,7]	.12 [3,0]	.04 [1,0]	.65 [16,5]	.07 [1,78]	
202D142-X-37	1.22 [31,0]	.70 [17,8]	1.22 [31,0]	.28 [7,2]	2.63 [66,8]	1.39 [35,3]	.12 [3,0]	.04 [1,0]	.70 [17,8]	.08 [2,03]	
202D153-X-37	1.42 [36,0]	.88 [22,4]	1.42 [36,0]	.33 [8,4]	3.15 [80,0]	1.63 [41,4]	.12 [3,0]	.04 [1,0]	.82 [20,8]	.08 [2,03]	
202D163-X-37	1.68 [42,7]	1.11 [28,2]	1.68 [42,7]	.39 [9,9]	4.08 [103,6]	2.22 [56,4]	.12 [3,0]	.065 [1,65]	.97 [24,6]	.09 [2,29]	
202D174-X-37	2.04 [51,8]	1.38 [35,1]	2.04 [51,8]	.62 [15,8]	5.13 [130,3]	2.54 [64,5]	.12 [3,0]	.065 [1,65]	1.56 [39,6]	.13 [3,3]	
202D185-X-37	2.60 [66,0]	1.75 [44,5]	2.60 [66,0]	.80 [20,4]	6.50 [165,1]	3.31 [84,1]	.12 [3,0]	.08 [2,0]	1.90 [48,3]	.16 [4,06]	
202D196-X-37	3.22 [81,7]	2.27 [57,6]	3.22 [81,7]	1.00 [25,4]	7.00 [177,8]	3.75 [95,3]	.12 [3,0]	.08 [2,0]	1.88 [47,8]	.16 [4,06]	

COMPATIBILITY CHART		
MATERIAL DASH NO.	ADHESIVE (COATING) SLASH NO.	ADHESIVE (COATING) S NO.
-3	/42; /86;	S-1017; S-1048;
-4	/42; /86;	S-1017; S-1048;

UNLESS OTHERWISE SPECIFIED DIMENSIONS ARE INCHES. METRIC DIMENSIONS ARE IN BRACKETS.

DECIMAL TOLERANCES
 .xxx ± 0.005 [0.13 mm]
 .xx ± 0.01 [0.25 mm]
 .x ± 0.1 [0.50 mm]

ANGLE TOLERANCE
 .x ± 1 DEG.

TYCO ELECTRONICS RESERVES THE RIGHT TO AMEND THIS DRAWING AT ANY TIME. USERS SHOULD EVALUATE THE SUITABILITY OF THE PRODUCT FOR THEIR APPLICATION.

DRAWN: UNGUYEN
 APPROVED: DHURRELL
 THIRD ANGLE PROJECTION

Tyco Electronics
 Raychem Molded Parts
 305 Constitution Dr
 Menlo Park, CA 94025

TITLE: **BOOT, STRAIGHT, WITH LIP**

SIZE: B CODE IDENT. NO.: 06090 DWG. NO.: 202D1XX-X-37

© 1995-2011 Tyco Electronics Corporation. All rights reserved. DO NOT SCALE THIS DRAWING SHEET 1 OF 1

X-ON Electronics

Largest Supplier of Electrical and Electronic Components

Click to view similar products for [Heat Shrink Cable Boots & End Caps](#) category:

Click to view products by [TE Connectivity](#) manufacturer:

Other Similar products are found below :

[577159N001](#) [645494-000](#) [CX4132-000](#) [687025-000](#) [705331-000](#) [718446-000](#) [725666N001](#) [729257-000](#) [F27131-000](#) [F85868-000](#) [770-003S106W2](#) [770-013210W1](#) [770-013311](#) [770-013312](#) [806542N001](#) [807507-000](#) [808362-000](#) [808618-000](#) [809125-000](#) [809130-000](#) [809218-000](#) [812014-000](#) [812047-000](#) [813166-000](#) [813767N002](#) [814741-000](#) [819117N001](#) [823026-000](#) [823070-000](#) [825002-000](#) [841189N001](#) [861471-000](#) [866647-000](#) [879515-000](#) [937577-000](#) [957073-000](#) [982033-2](#) [A77813-000](#) [R280576000](#) [D96192-000](#) [163549-000](#) [EN3BOOTLKIT](#) [MTPSRBCL-C](#) [1954015-1](#) [200W531-3-0](#) [202A163-4-0-CS5067](#) [202A343-3-00-0](#) [202B221-13-0](#) [202B231-13-0](#) [202B563-25-07-0](#)