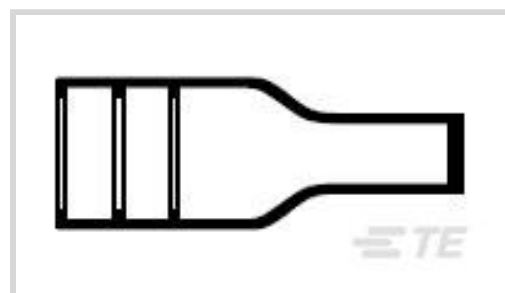




Wire Protection & Management > Heat Shrink Molded Shapes > Heat Shrink Boots > Bulbous Heat Shrink Boots: Lipped, Straight



Molded Part Angle: 180°

Molded Part Shape Code: 202

Lipped: Yes

Material Code: 4

Heat Shrink Boot Material Systems Code: 10

[All Bulbous Heat Shrink Boots: Lipped, Straight \(487\)](#)

## Features

### Product Type Features

|                   |      |
|-------------------|------|
| Molded Part Angle | 180° |
|-------------------|------|

### Configuration Features

|        |     |
|--------|-----|
| Lipped | Yes |
|--------|-----|

### Body Features

|  |                              |
|--|------------------------------|
| Material Code                          | 4                            |
| Heat Shrink Boot Material Systems Code | 10                           |
| Adhesive Pre-Coat                      | Yes                          |
| Material                               | Polyolefin Flexible Modified |

### Dimensions

|                             |  |
|-----------------------------|--|
| Wire/Cable Outside Diameter | .236 in, .276 in, .3 in, .31 in, .35 in, .39 in, .43 in, .433 in, 10 mm, 11 mm, 6 mm, 7 mm, 8 mm, 9 mm |
| Cable Diameter Range        | 5.6 – 12.4 mm [.22 – .488 in]  |

### Usage Conditions

|                             |                             |
|-----------------------------|-----------------------------|
| Operating Temperature Range | -55 – 135 °C [-67 – 275 °F] |
|-----------------------------|-----------------------------|

### Operation/Application

|                       |    |
|-----------------------|----|
| Power Cable Accessory | No |
|-----------------------|----|



### Industry Standards

|                      |  |
|----------------------|--|
| Approved Standards   | SAE AS I 81765/1, Type II, UL 224, File E85381 |
| Government Qualified | No   |

### Other

|                             |                                   |
|-----------------------------|-----------------------------------|
| Molded Part Shape Code      | 202                               |
| Fluid & Chemical Resistance | Occasional exposure to fluids     |
| Adhesive Type               | General Purpose Pre-Coat Adhesive |

### Product Compliance

[For compliance documentation, visit the product page on TE.com>](#)

|   |   |
|---|---|
| EU RoHS Directive 2011/65/EU                  | Compliant   |
| EU ELV Directive 2000/53/EC                   | Compliant   |
| China RoHS 2 Directive MIIT Order No 32, 2016 | No Restricted Materials Above Threshold   |
| EU REACH Regulation (EC) No. 1907/2006        | Current ECHA Candidate List: JAN 2021 (211)<br>Candidate List Declared Against: JAN 2021 (211)<br>Does not contain REACH SVHC |
| Halogen Content                               | Not Low Halogen - contains Br or Cl > 900 ppm.  |
| Solder Process Capability                     | Not applicable for solder process capability  |

#### Product Compliance Disclaimer

This information is provided based on reasonable inquiry of our suppliers and represents our current actual knowledge based on the information they provided. This information is subject to change. The part numbers that TE has identified as EU RoHS compliant have a maximum concentration of 0.1% by weight in homogenous materials for lead, hexavalent chromium, mercury, PBB, PBDE, DBP, BBP, DEHP, DIBP, and 0.01% for cadmium, or qualify for an exemption to these limits as defined in the Annexes of Directive 2011/65/EU (RoHS2). Finished electrical and electronic equipment products will be CE marked as required by Directive 2011/65/EU. Components may not be CE marked. Additionally, the part numbers that TE has identified as EU ELV compliant have a maximum concentration of 0.1% by weight in homogenous materials for lead, hexavalent chromium, and mercury, and 0.01% for cadmium, or qualify for an exemption to these limits as defined in the Annexes of Directive 2000/53/EC (ELV). Regarding the REACH Regulation, the information TE provides on SVHC in articles for this part number is based on the latest European Chemicals Agency (ECHA) 'Guidance on requirements for substances in articles' posted at this URL: <https://echa.europa.eu/guidance-documents/guidance-on-reach>

### Compatible Parts

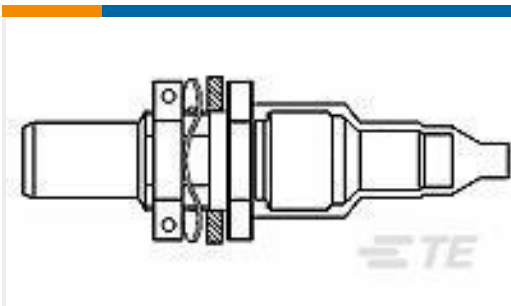


TE Part # CJ2087-000  
HL2010E-KIT-120V

## Customers Also Bought



TE Part #324158  
PIDG R 22-16 COMM 22-18 MIL 2



TE Part #118345-000  
DK-621-0412-P



TE Part #1658684-1  
HDP-22,RCPT,SIZE 4,62 POSN



TE Part #245582-001  
T42-100FR



TE Part #1616089-3  
DH14AT=RELAY



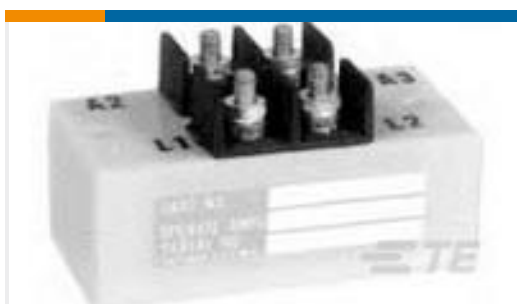
TE Part #1616037-1  
DH14B3=RELAY



TE Part #242489-000  
CWT-3811



TE Part #YDIV46E23-35SNC009  
PLUG ASSY



TE Part #1616131-1  
Q50A=RELAY



TE Part #109027-ZZ  
CONT SOC

## Documents

### Product Drawings

[202D121-4/42-0](#)

English

### Datasheets & Catalog Pages

[1654025\\_Sec4\\_-4](#)

English

### Raychem Molded Parts Visual Guide

English



---

## Product Specifications

### Product Specification

English

---

## Product Environmental Compliance

### Safety Datasheet

### Safety Datasheet

English

### Safety Datasheet

French

### Safety Datasheet

German

### Safety Datasheet

### Safety Datasheet

### Safety Datasheet

### Safety Datasheet

### Safety Datasheet

### Safety Datasheet

English

### Safety Datasheet

French

### Safety Datasheet

German

### Safety Datasheet

### Safety Datasheet

### Safety Datasheet

### Safety Datasheet

### Safety Datasheet

English

## X-ON Electronics

Largest Supplier of Electrical and Electronic Components

*Click to view similar products for [Heat Shrink Cable Boots & End Caps](#) category:*

*Click to view products by [TE Connectivity](#) manufacturer:*

Other Similar products are found below :

[577159N001](#) [645494-000](#) [CX4132-000](#) [687025-000](#) [705331-000](#) [718446-000](#) [725666N001](#) [729257-000](#) [F27131-000](#) [F85868-000](#) [770-003S106W2](#) [770-013210W1](#) [770-013311](#) [770-013312](#) [806542N001](#) [807507-000](#) [808059-000](#) [808362-000](#) [808618-000](#) [809125-000](#) [809130-000](#) [809218-000](#) [812014-000](#) [812047-000](#) [813166-000](#) [813767N002](#) [814741-000](#) [819117N001](#) [823026-000](#) [823070-000](#) [825002-000](#) [841189N001](#) [861471-000](#) [866647-000](#) [879515-000](#) [937577-000](#) [957073-000](#) [982033-2](#) [A77813-000](#) [R280576000](#) [D96192-000](#) [163549-000](#) [MTPSRBCL-C](#) [1954015-1](#) [200W531-3-0](#) [202A163-4-0-CS5067](#) [202A343-3-00-0](#) [202B221-13-0](#) [202B231-13-0](#) [202B563-25-07-0](#)