



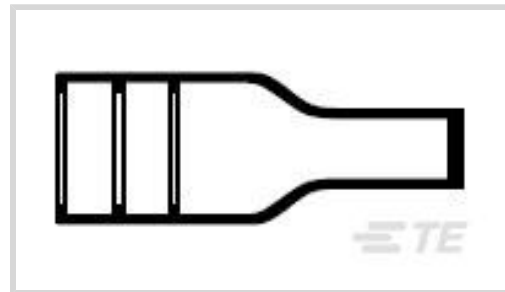
Raychem

TE Internal #: 632785-000

Heat Shrink Boots, 180 °, Molded Part Shape Code 202, Lipped, 100, 100, Adhesive Pre-Coat, Operating Temperature Range -30 – 105 °C [-22 – 221 °F]

[View on TE.com >](#)

Wire Protection & Management > Heat Shrink Molded Shapes > Heat Shrink Boots > Bulbous Heat Shrink Boots: Lipped, Straight



Molded Part Angle: 180 °

Molded Part Shape Code: 202

Lipped: Yes

Material Code: 100

Heat Shrink Boot Material Systems Code: 100

[All Bulbous Heat Shrink Boots: Lipped, Straight \(487\)](#)

## Features

### Product Type Features

Molded Part Angle	180 °
-------------------	-------

### Configuration Features

Lipped	Yes
--------	-----

### Body Features

Material Code	100
Heat Shrink Boot Material Systems Code	100
Adhesive Pre-Coat	Yes
Material	Low Fire Hazard Material

### Dimensions

Inside Diameter as Supplied	31 mm[1.22 in]
-----------------------------	----------------

### Usage Conditions

Operating Temperature Range	-30 – 105 °C[-22 – 221 °F]
Flammability	Low Fire Hazard

### Operation/Application

Power Cable Accessory	No
-----------------------	----

### Industry Standards



Approved Standards	VG95343 Parts 29 and 30
Government Qualified	No

### Other

Molded Part Shape Code	202
Fluid & Chemical Resistance	Long-Term Exposure at High Temperature

## Product Compliance

[For compliance documentation, visit the product page on TE.com>](#)

EU RoHS Directive 2011/65/EU	Compliant
EU ELV Directive 2000/53/EC	Compliant
China RoHS 2 Directive MIIT Order No 32, 2016	No Restricted Materials Above Threshold
EU REACH Regulation (EC) No. 1907/2006	Current ECHA Candidate List: JAN 2021 (211) Candidate List Declared Against: JAN 2021 (211) Does not contain REACH SVHC
Halogen Content	Low Halogen - Br, Cl, F, I < 900 ppm per homogenous material. Also BFR/CFR/PVC Free
Solder Process Capability	Not applicable for solder process capability

#### Product Compliance Disclaimer

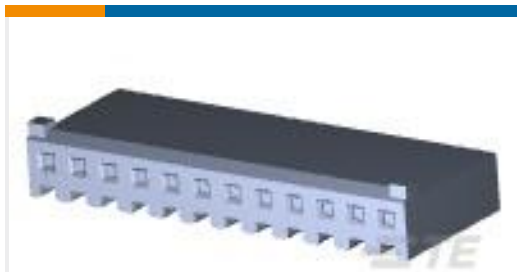
This information is provided based on reasonable inquiry of our suppliers and represents our current actual knowledge based on the information they provided. This information is subject to change. The part numbers that TE has identified as EU RoHS compliant have a maximum concentration of 0.1% by weight in homogenous materials for lead, hexavalent chromium, mercury, PBB, PBDE, DBP, BBP, DEHP, DIBP, and 0.01% for cadmium, or qualify for an exemption to these limits as defined in the Annexes of Directive 2011/65/EU (RoHS2). Finished electrical and electronic equipment products will be CE marked as required by Directive 2011/65/EU. Components may not be CE marked. Additionally, the part numbers that TE has identified as EU ELV compliant have a maximum concentration of 0.1% by weight in homogenous materials for lead, hexavalent chromium, and mercury, and 0.01% for cadmium, or qualify for an exemption to these limits as defined in the Annexes of Directive 2000/53/EC (ELV). Regarding the REACH Regulation, the information TE provides on SVHC in articles for this part number is based on the latest European Chemicals Agency (ECHA) 'Guidance on requirements for substances in articles' posted at this URL: <https://echa.europa.eu/guidance-documents/guidance-on-reach>

## Compatible Parts



TE Part # CJ2087-000  
HL2010E-KIT-120V

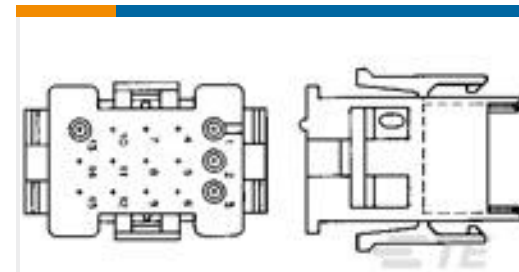
## Customers Also Bought



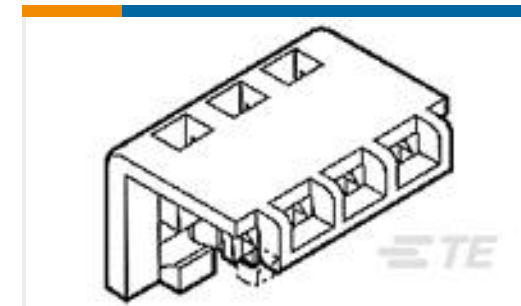
TE Part #1-647402-2  
12P SL156 HSG W/RMP&TABS,OVSZ



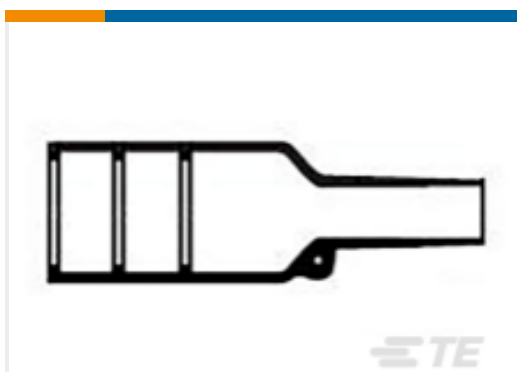
TE Part #2-320572-1  
PIDG RING TONGUE TERMINALS



TE Part #1-640510-0  
06P MR II CAP HSG V0 RED



TE Part #1-643067-2  
12P MTA156 MOLDED COVER



TE Part #115751-000  
Bulbous Heat Shrink Boots: Lipped, Straight



TE Part #YDTS26W23-55JAC001  
PLUG ASSY



TE Part #118577-000  
S01-05-R



TE Part #2-327137-2  
T-SHIELD FERR.,130-.145

## Documents

### Product Drawings

202D142-100/180-0

English

### Datasheets & Catalog Pages

1654025\_Sec4\_-100

English

### Raychem Molded Parts Visual Guide

English

### Product Specifications

Product Specification

English

### Product Environmental Compliance

Safety Datasheet

Safety Datasheet

English



[Safety Datasheet](#)

French

[Safety Datasheet](#)

German

[Safety Datasheet](#)

[Safety Datasheet](#)

[Safety Datasheet](#)

[Safety Datasheet](#)

English

[Safety Datasheet](#)

[Safety Datasheet](#)

[Safety Datasheet](#)

English

[Safety Datasheet](#)

French

[Safety Datasheet](#)

German

[Safety Datasheet](#)

[Safety Datasheet](#)

[Safety Datasheet](#)

[Safety Datasheet](#)

[Safety Datasheet](#)

English

## X-ON Electronics

Largest Supplier of Electrical and Electronic Components

*Click to view similar products for [Heat Shrink Cable Boots & End Caps](#) category:*

*Click to view products by [TE Connectivity](#) manufacturer:*

Other Similar products are found below :

[577159N001](#) [645494-000](#) [CX4132-000](#) [687025-000](#) [705331-000](#) [718446-000](#) [725666N001](#) [729257-000](#) [F27131-000](#) [F85868-000](#) [770-003S106W2](#) [770-013210W1](#) [770-013311](#) [770-013312](#) [806542N001](#) [807507-000](#) [808362-000](#) [808618-000](#) [809125-000](#) [809130-000](#) [809218-000](#) [812014-000](#) [812047-000](#) [813166-000](#) [813767N002](#) [814741-000](#) [819117N001](#) [823026-000](#) [823070-000](#) [841189N001](#) [861471-000](#) [866647-000](#) [879515-000](#) [937577-000](#) [957073-000](#) [982033-2](#) [A77813-000](#) [R280576000](#) [D96192-000](#) [163549-000](#) [EN3BOOTLKIT](#) [MTPSRBCL-C](#) [1954015-1](#) [200W531-3-0](#) [202A163-4-0-CS5067](#) [202A343-3-00-0](#) [202B221-13-0](#) [202B231-13-0](#) [202B563-25-07-0](#) [202C241-13-0](#)