

REVISIONS					
P	LTR	DESCRIPTION	DATE	DWN	APVD
C		PRODUCTION ISSUE	18JAN2019	PNT	MT

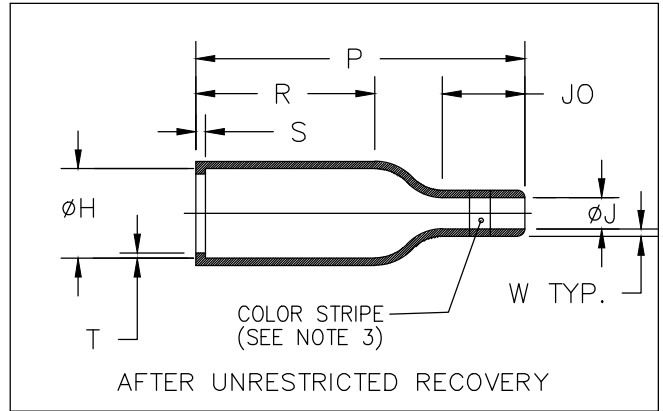
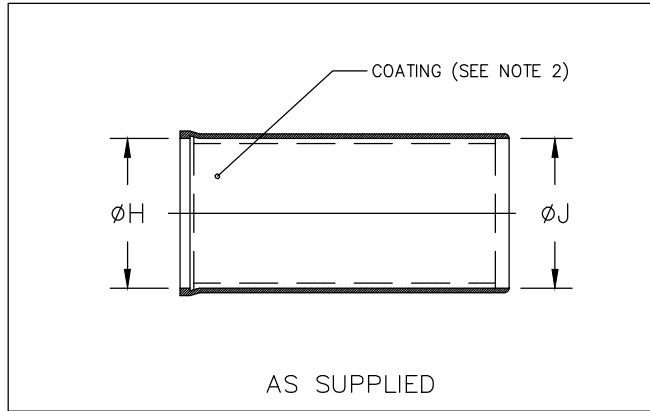


TABLE OF DIMENSIONS


PART NUMBER	H		J			P	R	S	T	JO	W
	Min a	Max b	Min -3,-4 a	Min -12 a	Max b	±10% b	Ref b	Ref b	Ref b	±10% b	±20% b
202D121-X-60	23.3 [.92]	10.5 [.41]	23.3 [.92]	12.4 [.49]	5.6 [.22]	38.1 [1.50]	21.1 [.83]	3.0 [.12]	1.0 [.04]	10.2 [.40]	1.78 [.07]
202D132-X-60	2]8.4 [1.12]	14.3 [.56]	28.4 [1.12]	14.7 [.58]	6.6 [.26]	54.9 [2.16]	27.7 [1.09]	3.0 [.12]	1.0 [.04]	16.5 [.65]	1.78 [.07]
202D142-X-60	31.0 [1.22]	17.8 [.70]	31.0 [1.22]	16.0 [.63]	7.2 [.28]	66.8 [2.63]	35.3 [1.39]	3.0 [.12]	1.0 [.04]	17.8 [.70]	2.03 [.08]
202D153-X-60	36.0 [1.42]	22.4 [.88]	36.0 [1.42]	18.5 [.73]	8.4 [.33]	80.0 [3.15]	41.4 [1.63]	3.0 [.12]	1.0 [.04]	20.8 [.82]	2.03 [.08]
202D163-X-60	42.7 [1.68]	28.2 [1.11]	42.7 [1.68]	22.0 [.87]	9.9 [.39]	103.6 [4.08]	56.4 [2.22]	3.0 [.12]	1.65 [.065]	24.6 [.97]	2.29 [.09]
202D174-X-60	51.8 [2.04]	35.1 [1.38]	51.8 [2.04]	35.3 [1.39]	15.8 [.62]	130.3 [5.13]	64.5 [2.54]	3.0 [.12]	1.65 [.065]	39.6 [1.56]	3.3 [.13]
202D185-X-60	66.0 [2.60]	44.5 [1.75]	66.0 [2.60]	45.7 [1.80]	20.4 [.80]	165.1 [6.50]	84.1 [3.31]	3.0 [.12]	2.0 [.08]	48.3 [1.90]	4.06 [.16]
202D196-X-60	81.7 [3.22]	57.6 [2.27]	81.7 [3.22]	57.1 [2.25]	25.4 [1.00]	177.8 [7.00]	95.3 [3.75]	3.0 [.12]	2.0 [.08]	47.8 [1.88]	4.06 [.16]

RELEASED FOR PUBLICATION

ALL RIGHTS RESERVED.

TE Connectivity Ltd.

THIS DRAWING IS UNPUBLISHED.

DIMENSIONS: mm [INCHES]	DWN	18JAN2019	MATERIAL	SEE SHEET 2	FINISH	-
	CHK	18JAN2019	 TE Connectivity Ltd.			
TOLERANCES UNLESS OTHERWISE SPECIFIED:	APVD	18JAN2019				
0 PLC ± - 1 PLC ± - 2 PLC ± - 3 PLC ± - 4 PLC ± - ANGLES ± -	PRODUCT SPEC	-	NAME	BOOT, STRAIGHT, WITH LIP		
	APPLICATION SPEC	-	SIZE	CAGE CODE	DRAWING NO	RESTRICTED TO
WEIGHT	A4		00779	C-202D1XX-XX-60-0		-
CUSTOMER DRAWING				SCALE	DNS	SHEET 1 OF 2
				REV	C	

REVISIONS					
P	LTR	DESCRIPTION	DATE	DWN	APVD
	-	SEE SHEET 1	-	-	-

COMPATABILITY CHART				
MATERIAL DASH NO.	MATERIAL DESCRIPTION	RT SPEC	COATING SLASH NO.	COATING S NO.
-3	Polyolefin, Semi-rigid	RT-301	/42;/86;/180	S-1017;S-1048;S-1030
-4	Polyolefin, Flexible	RT-1304	/42;/86;/180	S-1017;S-1048;S-1030
-12	Fluoroelastomer, Flexible	RT-1312	N/A	N/A

ORDERING INFORMATION

202D1XX
-XX
-XX
/XX
-0

Base part number _____

Material dash number _____
(See Compatability Chart)

Modification number _____

Adhesive slash number _____
(If necessary, see Compatability Chart)

Color Designator _____

NOTES:

- Dimensions appearing in table are as follows:
 - a - As Supplied
 - b - After Unrestricted Recovery
- Coating is optional. As supplied dimensions appearing in table are for uncoated parts. When coating is added, entry diameters will be reduced by 1.5mm[.06] max.
- Parts shall have color stripe 3.05[.12] wide x 360° around outside surface approx. as shown and must meet requirements set forth in MS3109. colors shall be as follows:

Dash No.	Color
-3	White
-4	Red
-12	Yellow


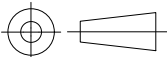
- Parts to have only one lip because of core change.

RELEASED FOR PUBLICATION

ALL RIGHTS RESERVED.

COPYRIGHT - TE Connectivity Ltd.

THIS DRAWING IS UNPUBLISHED.

DIMENSIONS: mm [INCHES]	DWN	18JAN2019	MATERIAL	-	FINISH	-
	PRAVEEN N T		 TE Connectivity Ltd.			
TOLERANCES UNLESS OTHERWISE SPECIFIED:	CHK	18JAN2019				
	N NAGAR					
	APVD	18JAN2019				
	M TAYLOR		NAME	BOOT, STRAIGHT, WITH LIP		
0 PLC ± -	PRODUCT SPEC		SIZE	CAGE CODE	DRAWING NO	RESTRICTED TO
1 PLC ± -			A4	00779	C-202D1XX-XX-60-0	-
2 PLC ± -	APPLICATION SPEC					
3 PLC ± -						
4 PLC ± -						
ANGLES ± -	WEIGHT					
			CUSTOMER DRAWING		SCALE	DNS
			SHEET		2 OF 2	REV C

X-ON Electronics

Largest Supplier of Electrical and Electronic Components

Click to view similar products for [Heat Shrink Cable Boots & End Caps](#) category:

Click to view products by [TE Connectivity](#) manufacturer:

Other Similar products are found below :

[577159N001](#) [645494-000](#) [CX4132-000](#) [687025-000](#) [705331-000](#) [718446-000](#) [725666N001](#) [729257-000](#) [F27131-000](#) [F85868-000](#) [770-003S106W2](#) [770-013210W1](#) [770-013311](#) [770-013312](#) [806542N001](#) [807507-000](#) [808059-000](#) [808362-000](#) [808618-000](#) [809125-000](#) [809130-000](#) [809218-000](#) [812014-000](#) [812047-000](#) [813166-000](#) [813767N002](#) [814741-000](#) [819117N001](#) [823026-000](#) [823070-000](#) [825002-000](#) [841189N001](#) [861471-000](#) [866647-000](#) [879515-000](#) [937577-000](#) [957073-000](#) [982033-2](#) [A77813-000](#) [R280576000](#) [D96192-000](#) [163549-000](#) [MTPSRBCL-C](#) [1954015-1](#) [200W531-3-0](#) [202A163-4-0-CS5067](#) [202A343-3-00-0](#) [202B221-13-0](#) [202B231-13-0](#) [202B563-25-07-0](#)