

REVISIONS

| P | LTR | DESCRIPTION | DATE | DWN | APVD |
|---|-----|---------------|-----------|-----|------|
| | AA | ECO-18-002373 | 08FEB2018 | PV | HS |

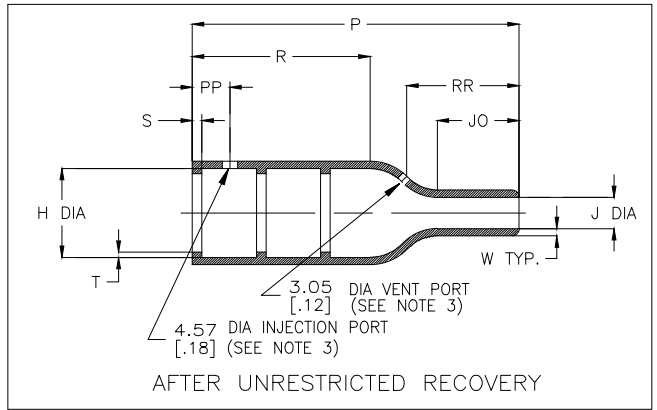
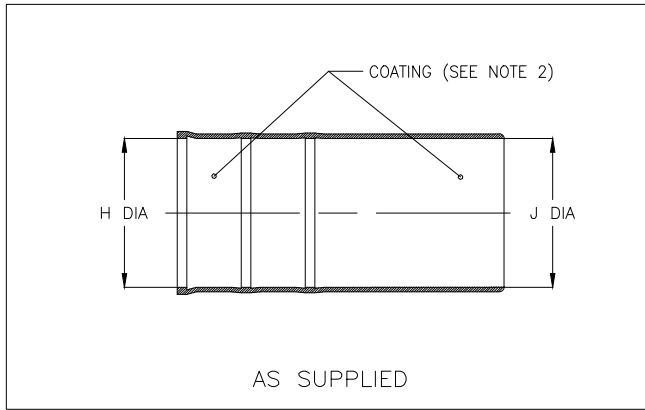


TABLE OF DIMENSIONS


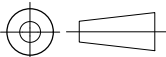
| PART NUMBER | H | | J | | | P ±10% b | R Ref b | S Ref b | T Ref b | JO ±10% b | W ±20% b | PP ±10% b | RR ±10% b |
|-------------|----------------|----------------|----------------|----------------|----------------|-----------------|----------------|---------------|----------------|-----------------|----------------|-----------------|-----------------|
| | Min a | Max b | Min a | Min a | Max b | | | | | | | | |
| 202D121 | 23.3 [.92] | 10.5 [.41] | 23.3 [.92] | 23.3 [.92] | 5.6 [.22] | 38.1 [1.50] | 21.1 [.83] | 3.0 [.12] | 1.0 [.04] | 10.2 [.40] | 1.78 [.07] | 15.2 [.60] | N/A |
| 202D132 | 28.4 [1.12] | 14.3 [.56] | 28.4 [1.12] | 28.4 [1.12] | 6.6 [.26] | 54.9 [2.16] | 27.7 [1.09] | 3.0 [.12] | 1.0 [.04] | 16.5 [.65] | 1.78 [.07] | 15.2 [.60] | 21.6 [.85] |
| 202D142 | 31.0 [1.22] | 17.8 [.70] | 31.0 [1.22] | 31.0 [1.22] | 7.2 [.28] | 66.8 [2.63] | 35.3 [1.39] | 3.0 [.12] | 1.0 [.04] | 17.8 [.70] | 2.03 [.08] | 15.2 [.60] | 24.5 [.96] |
| 202D153 | 36.0 [1.42] | 22.4 [.88] | 36.0 [1.42] | 36.0 [1.42] | 8.4 [.33] | 80.0 [3.15] | 41.4 [1.63] | 3.0 [.12] | 1.0 [.04] | 20.8 [.82] | 2.03 [.08] | 15.2 [.60] | 29.7 [1.17] |
| 202D163 | 42.7 [1.68] | 28.2 [1.11] | 42.7 [1.68] | 42.7 [1.68] | 9.9 [.39] | 103.6 [4.08] | 56.4 [2.22] | 3.0 [.12] | 1.65 [.065] | 24.6 [.97] | 2.29 [.09] | 15.2 [.60] | 36.7 [1.44] |
| 202D174 | 51.8 [2.04] | 35.1 [1.38] | 51.8 [2.04] | 51.8 [2.04] | 15.8 [.62] | 130.3 [5.13] | 64.5 [2.54] | 3.0 [.12] | 1.65 [.065] | 39.6 [1.56] | 3.30 [.13] | 15.2 [.60] | 53.8 [2.12] |
| 202D185 | 66.0 [2.60] | 44.5 [1.75] | 66.0 [2.60] | 66.0 [2.60] | 20.4 [.80] | 165.1 [6.50] | 84.1 [3.31] | 3.0 [.12] | 2.0 [.08] | 48.3 [1.90] | 4.06 [.16] | 15.2 [.60] | 65.6 [2.59] |
| 202D196 | 81.7 [3.22] | 57.6 [2.27] | 81.7 [3.22] | 57.1 [2.25] | 25.4 [1.00] | 177.8 [7.00] | 95.3 [3.75] | 3.0 [.12] | 2.0 [.08] | 47.8 [1.88] | 4.06 [.16] | 15.2 [.60] | 67.1 [2.64] |

RELEASED FOR PUBLICATION

ALL RIGHTS RESERVED.

© COPYRIGHT 2018 TE Connectivity Ltd.

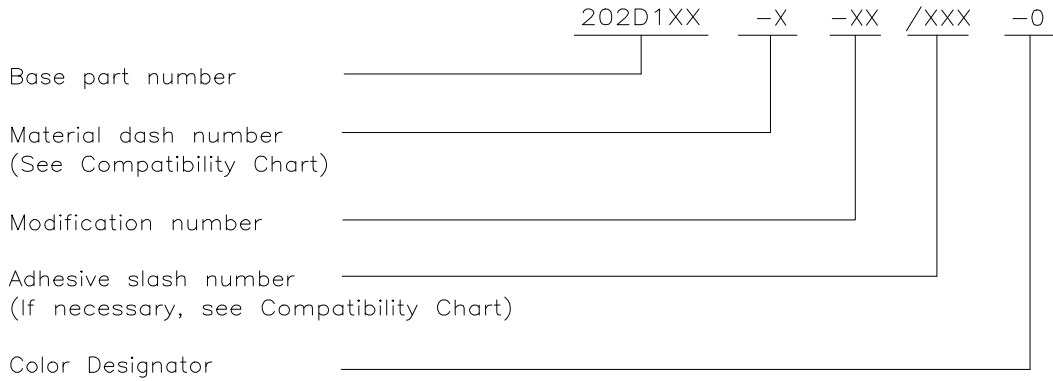
THIS DRAWING IS UNPUBLISHED.

| | | | | | | |
|---|------------------|-----------|---|-------------|----------------|---------------|
| DIMENSIONS: mm [INCHES] | DWN P. VU | 08FEB2018 | MATERIAL | SEE SHEET 2 | FINISH | - |
| | CHK S. KURUP | 08FEB2018 |  TE Connectivity Ltd. | | | |
| TOLERANCES UNLESS OTHERWISE SPECIFIED: | APVD H. SMITH | 08FEB2018 | | | | |
| 0 PLC ± - | PRODUCT SPEC | - | NAME | | | |
| 1 PLC ± - | - | - | STRAIGHT BOOT, WITH LIPS | | | |
| 2 PLC ± - | APPLICATION SPEC | - | SIZE | CAGE CODE | DRAWING NO | RESTRICTED TO |
| 3 PLC ± - | - | - | A4 | 00779 | 202D121THRU196 | - |
| 4 PLC ± - | WEIGHT | - | CUSTOMER DRAWING | | | |
| ANGLES ± - | - | - | SCALE | DNS | SHEET | 1 OF 2 |
|  | - | - | REV AA | | | |

| REVISIONS | | | | | |
|-----------|-----|-------------|------|-----|------|
| P | LTR | DESCRIPTION | DATE | DWN | APVD |
| | - | SEE SHEET 1 | - | - | - |

| COMPATIBILITY CHART | | | | |
|---------------------|-----------------------------------|--------------------|-------------------|-------------------|
| MATERIAL DASH NO. | MATERIAL DESCRIPTION | SPEC REFERENCE | COATING SLASH NO. | COATING S NO. |
| -3 | Polyolefin, semi-rigid | RT-301 | /42;/86;/180 | S1017;S1048;S1030 |
| -4 | Polyolefin, flexible | RT-1304 | /42;/86;/180 | S1017;S1048;S1030 |
| -12 | Fluoroelastomer, flexible | RT-1312 | N/A | N/A |
| -25 | Elastomer, fluid-resistant | RW-2070 | /42;/86;/225 | S1017;S1048;S1125 |
| -100 | Polyolefin, semi-flexible Zerohal | RT-1323 RW-2082 | /86;/180 | S1048;S1030 |

ORDERING INFORMATION



NOTES:

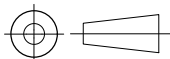
- Dimensions appearing in table are as follows:
a - As supplied
b - After unrestricted recovery
- Coating is optional. As supplied dimensions appearing in table are for uncoated parts. When coating is added, entry diameter will reduce by 1.5mm [.06] Max.
- Injection and vent ports are optional. When -00 modification no. is specified parts shall have injection and vent ports as shown, and shall be supplied with plug 002A011 and riser 204A711. Note that size 202D121 does not have vent port.
- On sizes 202D121 thru 202D153 parts only have 2 lips.
- /225 adhesive coating is not applicable to size 202D196.

RELEASED FOR PUBLICATION

ALL RIGHTS RESERVED.

© COPYRIGHT 2018 TE Connectivity Ltd.

| | | | | | | |
|--|------------------|--------------|-------------------------------------|-----------|------------------|---------------|
| DIMENSIONS: mm [INCHES] | DWN P. VU | 08FEB2018 | MATERIAL | - | FINISH | - |
| | CHK S. KURUP | 08FEB2018 | TE Connectivity Ltd. | | | |
| TOLERANCES UNLESS OTHERWISE SPECIFIED: | APVD H. SMITH | 08FEB2018 | | | | |
| | 0 PLC ± - | PRODUCT SPEC | NAME STRAIGHT BOOT, WITH LIPS | | | |
| 1 PLC ± - | APPLICATION SPEC | - | SIZE | CAGE CODE | DRAWING NO | RESTRICTED TO |
| 2 PLC ± - | | | A4 | 00779 | C-202D121THRU196 | - |
| 3 PLC ± - | WEIGHT | - | CUSTOMER DRAWING | | | |
| 4 PLC ± - | | | SCALE | DNS | SHEET | 2 OF 2 |
| ANGLES ± - | | | | | | |



X-ON Electronics

Largest Supplier of Electrical and Electronic Components

Click to view similar products for [Cable Boots](#) category:

Click to view products by [TE Connectivity](#) manufacturer:

Other Similar products are found below :

[618235-000](#) [622A014-3-0](#) [CX4132-000](#) [879103-4](#) [879515-000](#) [889092](#) [982033-2](#) [R280576000](#) [1300830729](#) [MTPSRBCL-C](#) [1811481-1](#)
[200W531-3-0](#) [202A121-386-0](#) [202A142-4-00/42-0](#) [202A163-4-0-CS5067](#) [202B221-13-0](#) [202B231-13-0](#) [202B563-25-07-0](#)
[202C621710CS5361](#) [202D132-4-07/42-0](#) [202D221-4-0-CS5349](#) [202D221-4-26-0](#) [202D263-25-08-0](#) [202D263-4-22/42-0](#) [202D263-4-88-0](#)
[202D921-2542-0](#) [202E336-71-0](#) [202F211-50-22-0-CS8474](#) [202F242-50-05-0](#) [202F242-51-04/164-0](#) [202K121-25-CS-1858-0](#) [202K121-25-](#)
[CS-2062-0](#) [202K132-25-01/225-0CS8387](#) [202K153-3-0186-0](#) [202S132-25-UP-0](#) [203W301-3/42-0](#) [207W613-100/184-0-CS5657](#) [207W623-](#)
[100-01/184-0](#) [207W634-100/184-0-CS5657](#) [207W656-100-01/184-0](#) [207W667-100-01/184-0](#) [207W667-100/184-0](#) [208A011-3-0](#) [208A021-3-](#)
[0](#) [221A011-51164-0-CS7133](#) [222A121-2586](#) [222A152-342-0](#) [222A213-25-0-CS5613](#) [222D221-25-13/86-0](#) [222D232-4-61-0-CS5078](#)