



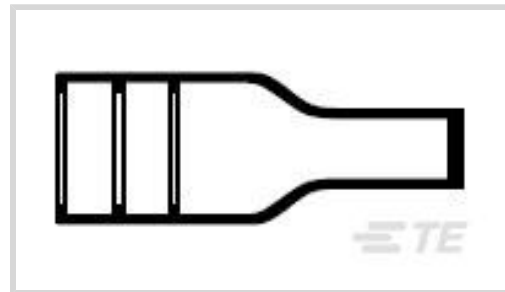
Raychem

TE Internal #: 821718-000

Heat Shrink Boots, Straight, Molded Part Shape Code 202, Lipped, 3, 10, Adhesive Pre-Coat, Operating Temperature Range -55 – 135 °C [-67 – 275 °F]

[View on TE.com >](#)

Harnessing > Heat Shrink Components > Heat Shrink Boots



Molded Part Shape: **Straight**

Molded Part Shape Code: **202**

Lipped: **Yes**

Material Code: **3**

Heat Shrink Boot Material Systems Code: **10**

Features

Product Type Features

Molded Part Shape	Straight
-------------------	----------

Configuration Features

Lipped	Yes
--------	-----

Body Features

Material Code	3
Heat Shrink Boot Material Systems Code	10
Adhesive Pre-Coat	Yes
Material	Semi-Rigid Modified Polyolefin

Dimensions

Inside Diameter as Supplied	47 mm[1.85 in]
-----------------------------	----------------

Usage Conditions

Operating Temperature Range	-55 – 135 °C[-67 – 275 °F]
-----------------------------	----------------------------

Operation/Application

Power Cable Accessory	No
-----------------------	----

Industry Standards

Approved Standards	SAE AS81765/1 Type I
Government Qualified	No

Other

Molded Part Shape Code	202
Fluid/Chemical Resistance	Occasional exposure to fluids
Adhesive Type	General Purpose Pre-Coat Adhesive

Product Compliance

[For compliance documentation, visit the product page on TE.com>](#)

EU RoHS Directive 2011/65/EU	Compliant
EU ELV Directive 2000/53/EC	Compliant
China RoHS 2 Directive MIIT Order No 32, 2016	No Restricted Materials Above Threshold
EU REACH Regulation (EC) No. 1907/2006	Current ECHA Candidate List: JUN 2020 (209) Candidate List Declared Against: JUN 2020 (209) Does not contain REACH SVHC
Halogen Content	Not Low Halogen - contains Br or Cl > 900 ppm.
Solder Process Capability	Not applicable for solder process capability

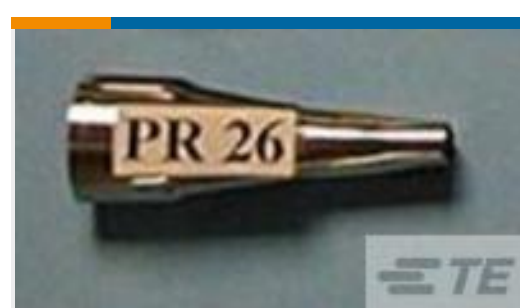
Product Compliance Disclaimer

This information is provided based on reasonable inquiry of our suppliers and represents our current actual knowledge based on the information they provided. This information is subject to change. The part numbers that TE has identified as EU RoHS compliant have a maximum concentration of 0.1% by weight in homogenous materials for lead, hexavalent chromium, mercury, PBB, PBDE, DBP, BBP, DEHP, DIBP, and 0.01% for cadmium, or qualify for an exemption to these limits as defined in the Annexes of Directive 2011/65/EU (RoHS2). Finished electrical and electronic equipment products will be CE marked as required by Directive 2011/65/EU. Components may not be CE marked. Additionally, the part numbers that TE has identified as EU ELV compliant have a maximum concentration of 0.1% by weight in homogenous materials for lead, hexavalent chromium, and mercury, and 0.01% for cadmium, or qualify for an exemption to these limits as defined in the Annexes of Directive 2000/53/EC (ELV). Regarding the REACH Regulation, the information TE provides on SVHC in articles for this part number is based on the latest European Chemicals Agency (ECHA) 'Guidance on requirements for substances in articles' posted at this URL: <https://echa.europa.eu/guidance-documents/guidance-on-reach>

Compatible Parts



TE Part # EG1118-000
CV1981-ST-120V1600W-US



TE Part # 991967-000
PR-26-REFLECTOR



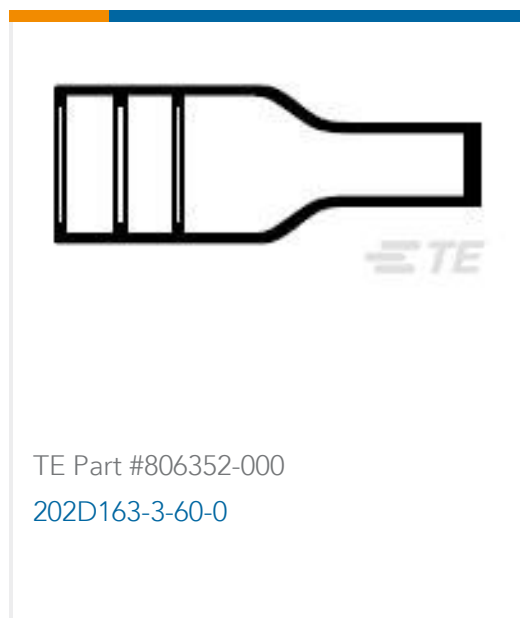
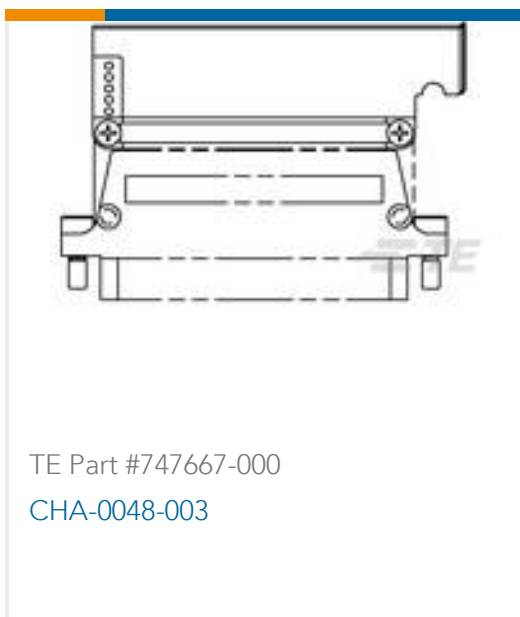
TE Part # EG1120-000
CV1981-ST-120V1600W-UK



TE Part # EG1115-000
CV1981-ST-230V1600W-CH



Customers Also Bought



Documents

Product Drawings

[202D153-3-02/42-0](#)

English

Datasheets & Catalog Pages

[1654025_Sec4_-3](#)

English

Raychem Molded Parts Visual Guide

English



Product Specifications

[Product Specification](#)

English

Product Environmental Compliance

[Safety Datasheet](#)

[Safety Datasheet](#)

German

[Safety Datasheet](#)

German

[Safety Datasheet](#)

English

[Safety Datasheet](#)

English

[Safety Datasheet](#)

English

[Safety Datasheet](#)

[Safety Datasheet](#)

[Safety Datasheet](#)

French

[Safety Datasheet](#)

French

[Safety Datasheet](#)

[Safety Datasheet](#)

[Safety Datasheet](#)

[Safety Datasheet](#)

[Safety Datasheet](#)

[Safety Datasheet](#)

[Safety Datasheet](#)

X-ON Electronics

Largest Supplier of Electrical and Electronic Components

Click to view similar products for [Cable Boots](#) category:

Click to view products by [TE Connectivity](#) manufacturer:

Other Similar products are found below :

[618235-000](#) [622A014-3-0](#) [CX4132-000](#) [879515-000](#) [982033-2](#) [R280576000](#) [1300830729](#) [EN3BOOTLKIT](#) [MTPSRBCL-C](#) [1811481-1](#)
[200W531-3-0](#) [202A121-386-0](#) [202A142-4-00/42-0](#) [202A163-4-0-CS5067](#) [202B221-13-0](#) [202B231-13-0](#) [202B563-25-07-0](#)
[202C621710CS5361](#) [202D132-4-07/42-0](#) [202D221-4-0-CS5349](#) [202D221-4-26-0](#) [202D263-25-08-0](#) [202D263-4-22/42-0](#) [202D263-4-88-0](#)
[202D921-2542-0](#) [202E336-71-0](#) [202F211-50-22-0-CS8474](#) [202F242-50-05-0](#) [202F242-51-04/164-0](#) [202K121-25-CS-1858-0](#) [202K121-25-](#)
[CS-2062-0](#) [202K132-25-01/225-0CS8387](#) [202K153-3-0186-0](#) [202S132-25-UP-0](#) [203W301-3/42-0](#) [207W613-100/184-0-CS5657](#) [207W623-](#)
[100-01/184-0](#) [207W634-100/184-0-CS5657](#) [207W656-100-01/184-0](#) [207W667-100-01/184-0](#) [207W667-100/184-0](#) [208A011-3-0](#) [208A021-3-](#)
[0](#) [221A011-51164-0-CS7133](#) [222A121-2586](#) [222A152-342-0](#) [222A213-25-0-CS5613](#) [222D221-25-13/86-0](#) [222D232-4-61-0-CS5078](#)
[222D253-100-22-0](#)