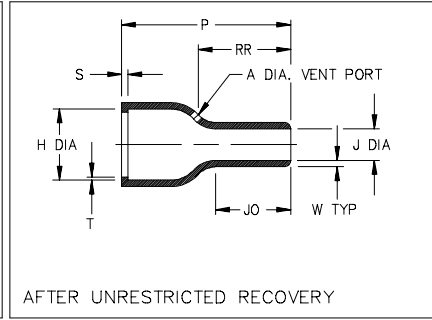
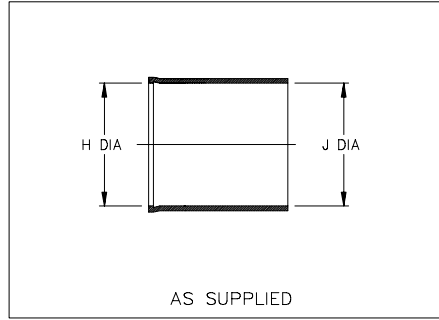


Thermofit[®] Molded Parts
 Specification Control Drawing
 Limited Distribution

Part Number : 202D1XX-X-50
 Description : Boot, Straight With Lip

NOTES

- All dimensions are in $\frac{\text{inches}}{\text{[millimeters]}}$
- Dimensions appearing in table are as follows:
 - a - As Supplied
 - b - After Unrestricted Recovery



PART NUMBER	H		J		P ±10% b	S REF b	T REF b	JO ±10% b	W ±20% b	RR ±10% b	A ±.01 b
	Min a	Max b	Min a	Max b							
	202D142-X-50	1.08 [27,4]	.70 [17,8]	1.08 [27,4]							
202D153-X-50	1.26 [32,0]	.88 [22,4]	1.26 [32,0]	.33 [8,4]	2.35 [59,7]	.12 [3,05]	.04 [1,02]	.82 [20,8]	.08 [2,03]	1.16 [29,5]	.12 [3,04]
202D163-X-50	1.45 [36,8]	1.11 [28,2]	1.45 [36,8]	.39 [9,9]	2.48 [63,0]	.12 [3,05]	.065 [1,65]	.97 [24,6]	.09 [2,29]	1.43 [36,3]	.12 [3,04]
202D174-X-50	1.80 [45,7]	1.38 [35,1]	1.80 [45,7]	.62 [15,8]	3.53 [89,7]	.12 [3,05]	.065 [1,65]	1.56 [39,6]	.13 [3,30]	2.09 [53,1]	.12 [3,04]
202D185-X-50	1.90 [48,3]	1.75 [44,5]	1.90 [48,3]	.80 [20,4]	4.90 [124,5]	.12 [3,05]	.080 [2,03]	1.90 [48,3]	.16 [4,06]	2.55 [64,8]	.12 [3,04]

Raychem

RAYCHEM CORPORATION
 300 CONSTITUTION DRIVE
 MENLO PARK, CALIFORNIA 94025

Revision : D
 Date : 11/10/94

Part Number : 202D1XX-X-50
 Description : Boot, Straight With Lip

Thermofit[®] Molded Parts
 Specification Control Drawing
 Limited Distribution

Part Number : 202D1XX-X-50
 Description : Boot, Straight with Lip

COMPATABILITY CHART					
MATERIAL DASH NO.	MATERIAL DESCRIPTION	RT SPEC	COATING SLASH NO.	COATING S NO.	COATING DESCRIPTION
-12	*VITON, Flexible	RT-1312			

*VITON is a Registered Trademark of Dupont

ORDERING INFORMATION

202D1XX -X -50 /XXX

Base part number _____

Material dash number _____
 (See Compatability Chart)

Modification number _____
 (If necessary, see front of scd binder
 for a complete list)

Adhesive slash number _____
 (If necessary, see Compatability Chart)

THIS DRAWING IS SUBJECT TO CHANGE WITHOUT NOTICE; CONSULT YOUR
 NEAREST FIELD REPRESENTATIVE FOR CURRENT REVISION

Raychem

RAYCHEM CORPORATION
 300 CONSTITUTION DRIVE
 MENLO PARK, CALIFORNIA 94025

Revision : D
 Date : 11/10/94

Part Number : 202D1XX-X-50
 Description : Boot, Straight With Lip

CAD FILE MP94316

X-ON Electronics

Largest Supplier of Electrical and Electronic Components

Click to view similar products for [TE Connectivity](#) manufacturer:

Other Similar products are found below :

[D38999/24FJ4AN](#) [570416-000](#) [CLTEQ-M81CE-SSRELAY-4-20V](#) [4-1195131-0](#) [650069-000](#) [SMD100-2](#) [358838-000](#) [CB-1022B-78](#)
[RM707012](#) [RP410012](#) [MMS42](#) [1-640426-8](#) [2EDL4CM](#) [DTS20W19-11PD-3028-LC](#) [RM202615](#) [NC6-P104-06](#) [MSPS103B](#) [DTS26F21-41HE-LC](#) [DTS26F21-41AE](#) [DTS26F21-41PE-LC](#) [DTS26F21-11SE-3028-LC](#) [30DCB6](#) [1932144-1](#) [293545-4](#) [LVR125S](#) [MS27466T25F4PB](#)
[CKB-38-78010](#) [TR04AI-TINELLOCKRING](#) [1206SFF150F/63-2](#) [D38999/20JB35HA](#) [TE1500A2R2J](#) [D38999/20WC8BB](#) [DTS24F19-11SC-3028-LC](#) [D38999/24WG11HA](#) [D38999/24WG11HN](#) [MS27467T21F11H](#) [DJT16E21-11HA](#) [MS27467T21F35J](#) [MS27467T21F11J](#)
[MS27467T21F16H-LC](#) [MS27467T21F35H](#) [MS27467T21F41H-LC](#) [1206SFH150F/24-2](#) [RP330024](#) [DJT16E21-11PA-LC](#) [DJT16E21-11HA-LC](#) [DJT16E21-11AA](#) [MS27467T21B11JA](#) [DJT16E21-11JA](#) [MS27467T21B11JA-LC](#)