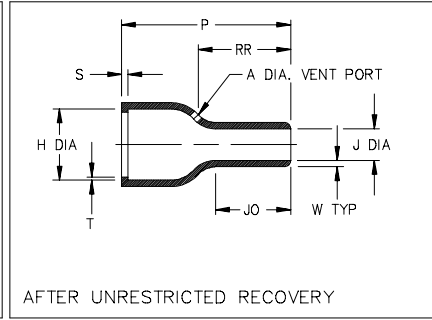
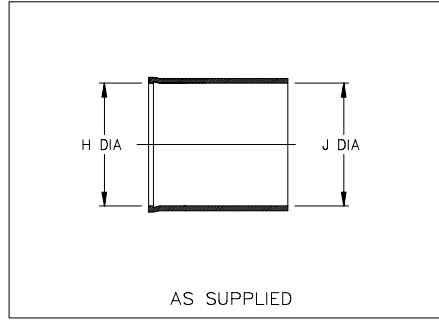


Thermofit<sup>®</sup> Molded Parts  
 Specification Control Drawing  
 Limited Distribution

Part Number : 202D1XX-X-50  
 Description : Boot, Straight With Lip

NOTES

- All dimensions are in  $\frac{\text{inches}}{\text{[millimeters]}}$
- Dimensions appearing in table are as follows:
  - a - As Supplied
  - b - After Unrestricted Recovery



PART NUMBER	H		J		P ±10% b	S REF b	T REF b	JO ±10% b	W ±20% b	RR ±10% b	A ±.01 b
	Min a	Max b	Min a	Max b							
202D142-X-50	1.08 [27,4]	.70 [17,8]	1.08 [27,4]	.28 [7,2]	1.83 [46,5]	.12 [3,05]	.04 [1,02]	.70 [17,8]	.08 [2,03]	.94 [23,9]	.12 [3,04]
202D153-X-50	1.26 [32,0]	.88 [22,4]	1.26 [32,0]	.33 [8,4]	2.35 [59,7]	.12 [3,05]	.04 [1,02]	.82 [20,8]	.08 [2,03]	1.16 [29,5]	.12 [3,04]
202D163-X-50	1.45 [36,8]	1.11 [28,2]	1.45 [36,8]	.39 [9,9]	2.48 [63,0]	.12 [3,05]	.065 [1,65]	.97 [24,6]	.09 [2,29]	1.43 [36,3]	.12 [3,04]
202D174-X-50	1.80 [45,7]	1.38 [35,1]	1.80 [45,7]	.62 [15,8]	3.53 [89,7]	.12 [3,05]	.065 [1,65]	1.56 [39,6]	.13 [3,30]	2.09 [53,1]	.12 [3,04]
202D185-X-50	1.90 [48,3]	1.75 [44,5]	1.90 [48,3]	.80 [20,4]	4.90 [124,5]	.12 [3,05]	.080 [2,03]	1.90 [48,3]	.16 [4,06]	2.55 [64,8]	.12 [3,04]

**Raychem**

RAYCHEM CORPORATION  
 300 CONSTITUTION DRIVE  
 MENLO PARK, CALIFORNIA 94025

Revision : D  
 Date : 11/10/94

Part Number : 202D1XX-X-50  
 Description : Boot, Straight With Lip

Thermofit<sup>®</sup> Molded Parts  
 Specification Control Drawing  
 Limited Distribution

Part Number : 202D1XX-X-50  
 Description : Boot, Straight with Lip

MATERIAL DASH NO.	MATERIAL DESCRIPTION	RT SPEC	COATING SLASH NO.	COATING S NO.	COATING DESCRIPTION
-12	*VITON, Flexible	RT-1312			

\*VITON is a Registered Trademark of Dupont

ORDERING INFORMATION			
	202D1XX	-X	-50 /XXX
Base part number	_____		
Material dash number (See Compatability Chart)	_____		
Modification number (If necessary, see front of scd binder for a complete list)	_____		
Adhesive slash number (If necessary, see Compatability Chart)	_____		

THIS DRAWING IS SUBJECT TO CHANGE WITHOUT NOTICE; CONSULT YOUR  
 NEAREST FIELD REPRESENTATIVE FOR CURRENT REVISION

**Raychem**

RAYCHEM CORPORATION  
 300 CONSTITUTION DRIVE  
 MENLO PARK, CALIFORNIA 94025

Revision : D  
 Date : 11/10/94

Part Number : 202D1XX-X-50  
 Description : Boot, Straight With Lip

CAD FILE MP94316

## X-ON Electronics

Largest Supplier of Electrical and Electronic Components

*Click to view similar products for [Heat Shrink Cable Boots & End Caps](#) category:*

*Click to view products by [TE Connectivity](#) manufacturer:*

Other Similar products are found below :

[577159N001](#) [645494-000](#) [CX4132-000](#) [687025-000](#) [705331-000](#) [718446-000](#) [725666N001](#) [729257-000](#) [F27131-000](#) [F85868-000](#) [770-003S106W2](#) [806542N001](#) [807507-000](#) [808059-000](#) [808362-000](#) [808618-000](#) [809125-000](#) [809130-000](#) [809218-000](#) [812014-000](#) [812047-000](#) [813166-000](#) [813767N002](#) [814741-000](#) [819117N001](#) [823026-000](#) [823070-000](#) [825002-000](#) [841189N001](#) [861471-000](#) [866647-000](#) [879515-000](#) [937577-000](#) [957073-000](#) [982033-2](#) [A77813-000](#) [R280576000](#) [D96192-000](#) [163549-000](#) [MTPSRBCL-C](#) [1954015-1](#) [200W531-3-0](#) [202A163-4-0-CS5067](#) [202A343-3-00-0](#) [202B221-13-0](#) [202B231-13-0](#) [202B563-25-07-0](#) [202C241-13-0](#) [202D121-4-01/86-0](#) [202D132-4-07/42-0](#)