



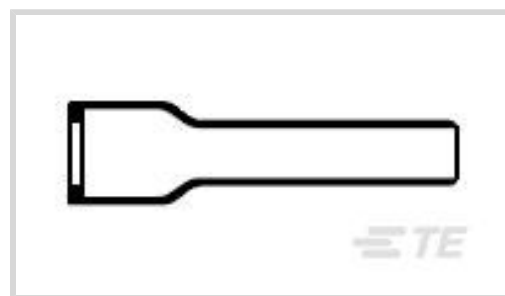
Raychem

TE Internal #: 811261-000

Heat Shrink Boots, 180 °, Size 202, Lipped, 12, 200, -55 – 200 °C [-67 – 392 °F], Long-Term Fluid Immersion at High Temperatures

[View on TE.com >](#)

Wire Protection & Management > Heat Shrink Molded Shapes > Heat Shrink Boots > Low Profile Heat Shrink Boots: Poly Molded, Lipped, Straight



Molded Part Angle: 180 °

Molded Part Shape Code: 202

Lipped: Yes

Material Code: 12

Heat Shrink Boot Material Systems Code: 200

[All Low Profile Heat Shrink Boots: Poly Molded, Lipped, Straight \(223\)](#)

## Features

### Product Type Features

Molded Part Angle	180 °
-------------------	-------

### Configuration Features

Lipped	Yes
--------	-----

### Body Features

Material Code	12
Heat Shrink Boot Material Systems Code	200
Adhesive Pre-Coat	No
Material	Modified Fluoro-Elastomer

### Dimensions

Wire/Cable Outside Diameter	.47 in, .55 in, .63 in, 12 mm, 14 mm, 16 mm
Cable Diameter Range	10.4 – 23.1 mm [.409 – .909 in]

### Usage Conditions

Operating Temperature Range	-55 – 200 °C [-67 – 392 °F]
-----------------------------	-----------------------------

### Operation/Application

Power Cable Accessory	No
-----------------------	----

### Industry Standards

Approved Standards	BS-G-198-5-DD, DEF Std 59-97 Issue 3
--------------------	--------------------------------------



	Type DD, SAE AS I 81765/4
Government Qualified	No
<b>Other</b>	
Molded Part Shape Code	202
Fluid & Chemical Resistance	Long-Term Fluid Immersion at High Temperatures
Adhesive Type	Adhesive Purchased Separately

## Product Compliance

[For compliance documentation, visit the product page on TE.com>](#)

EU RoHS Directive 2011/65/EU	Compliant
EU ELV Directive 2000/53/EC	Compliant
China RoHS 2 Directive MIIT Order No 32, 2016	No Restricted Materials Above Threshold
EU REACH Regulation (EC) No. 1907/2006	Current ECHA Candidate List: JUL 2021 (219) Candidate List Declared Against: JUL 2021 (219) Does not contain REACH SVHC
Halogen Content	Low Bromine/Chlorine - Br and Cl < 900 ppm per homogenous material. Also BFR /CFR/PVC Free
Solder Process Capability	Not applicable for solder process capability

### Product Compliance Disclaimer

This information is provided based on reasonable inquiry of our suppliers and represents our current actual knowledge based on the information they provided. This information is subject to change. The part numbers that TE has identified as EU RoHS compliant have a maximum concentration of 0.1% by weight in homogenous materials for lead, hexavalent chromium, mercury, PBB, PBDE, DBP, BBP, DEHP, DIBP, and 0.01% for cadmium, or qualify for an exemption to these limits as defined in the Annexes of Directive 2011/65/EU (RoHS2). Finished electrical and electronic equipment products will be CE marked as required by Directive 2011/65/EU. Components may not be CE marked. Additionally, the part numbers that TE has identified as EU ELV compliant have a maximum concentration of 0.1% by weight in homogenous materials for lead, hexavalent chromium, and mercury, and 0.01% for cadmium, or qualify for an exemption to these limits as defined in the Annexes of Directive 2000/53/EC (ELV). Regarding the REACH Regulation, the information TE provides on SVHC in articles for this part number is based on the latest European Chemicals Agency (ECHA) 'Guidance on requirements for substances in articles' posted at this URL: <https://echa.europa.eu/guidance-documents/guidance-on-reach>

## Compatible Parts

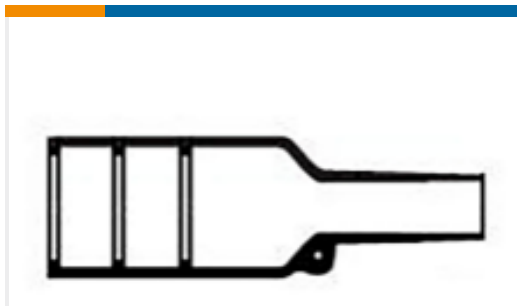


TE Part # CJ2087-000  
HL2010E-KIT-120V



TE Part # 195133-000  
S1255-04-3/4X100FT

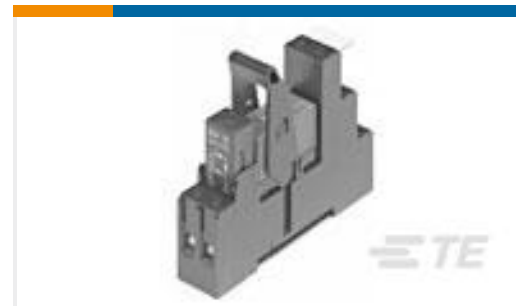
## Customers Also Bought



TE Part #566586-000  
Bulbous Heat Shrink Boots: Lipped,  
Straight



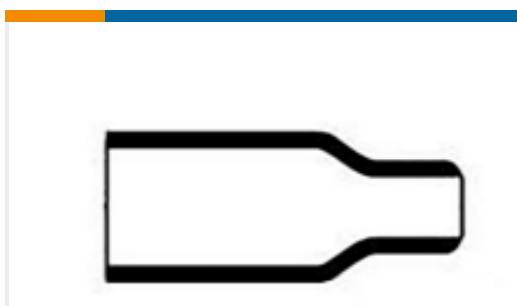
TE Part #36149  
PIDG R 22-16 COMM 22-18 MIL 6



TE Part #1-1415073-1  
RT4S4LC4



TE Part #0662-207-1631L  
CONT SOC ASSY



TE Part #806700-000  
Heat Shrink Boots: Non Lipped,  
Straight



TE Part #416947-000  
CWT-6-W122-5

## Documents

### Product Drawings

[202D253-12-0](#)

English

### Datasheets & Catalog Pages

[1654025\\_Sec4\\_-12](#)

English

### Raychem Molded Parts Visual Guide

English

### Product Specifications

[Product Specification](#)

English

### Product Environmental Compliance

[Safety Datasheet](#)

[Safety Datasheet](#)

English



[Safety Datasheet](#)

French

[Safety Datasheet](#)

German

[Safety Datasheet](#)

[Safety Datasheet](#)

[Safety Datasheet](#)

## X-ON Electronics

Largest Supplier of Electrical and Electronic Components

*Click to view similar products for [Heat Shrink Cable Boots & End Caps](#) category:*

*Click to view products by [TE Connectivity](#) manufacturer:*

Other Similar products are found below :

[577159N001](#) [645494-000](#) [CX4132-000](#) [687025-000](#) [705331-000](#) [718446-000](#) [725666N001](#) [729257-000](#) [F27131-000](#) [F85868-000](#) [770-003S106W2](#) [770-013210W1](#) [770-013311](#) [770-013312](#) [806542N001](#) [807507-000](#) [808059-000](#) [808362-000](#) [808618-000](#) [809125-000](#) [809130-000](#) [809218-000](#) [812014-000](#) [812047-000](#) [813166-000](#) [813767N002](#) [814741-000](#) [819117N001](#) [823026-000](#) [823070-000](#) [825002-000](#) [841189N001](#) [861471-000](#) [866647-000](#) [879515-000](#) [937577-000](#) [957073-000](#) [982033-2](#) [A77813-000](#) [R280576000](#) [D96192-000](#) [163549-000](#) [MTPSRBCL-C](#) [1954015-1](#) [200W531-3-0](#) [202A163-4-0-CS5067](#) [202A343-3-00-0](#) [202B221-13-0](#) [202B231-13-0](#) [202B563-25-07-0](#)