

REVISIONS

P	LTR	DESCRIPTION	DATE	DWN	APVD
	P1	REVISED PER ECO-21-004888	03/15/2021	PNT	LR

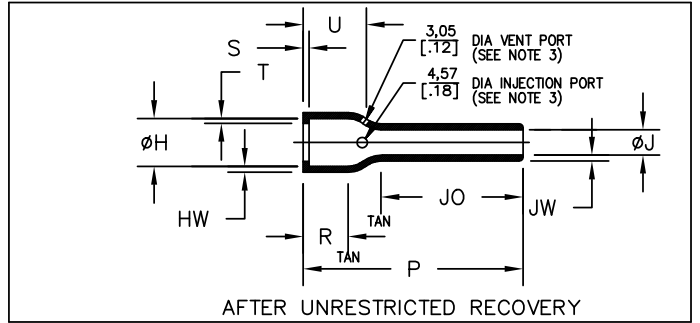
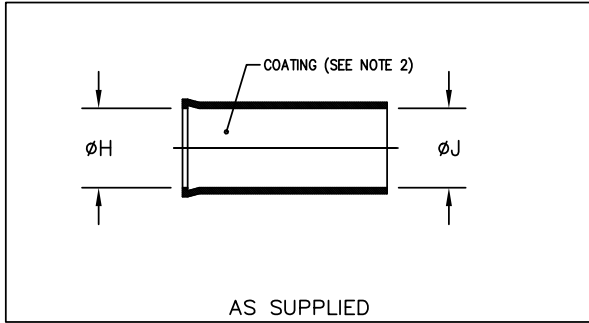


TABLE OF DIMENSIONS

PART NUMBER	H		J			P	JO	R	S	T	U	HW	JW
	Min a	Max b	Min -3,-4,-25 a	Min -12,-100 a	Max b	±10% b	±10% b	Ref b	Ref b	Ref b	±10% b	±20% b	±20% b
202D211	22.4 [.88]	11.4 [.45]	22.4 [.88]	14.0 [.55]	6.4 [.25]	105.9 [4.17]	86.4 [3.40]	11.7 [.46]	3.0 [.12]	1.0 [.04]	14.2 [.56]	1.52 [.06]	1.14 [.045]
202D221	25.7 [1.01]	15.0 [.59]	25.7 [1.01]	16.0 [.63]	7.4 [.29]	121.2 [4.77]	98.6 [3.88]	12.2 [.48]	3.0 [.12]	1.0 [.04]	15.0 [.59]	1.52 [.06]	1.14 [.045]
202D232	29.5 [1.16]	18.8 [.74]	29.5 [1.16]	18.3 [.72]	8.4 [.33]	138.7 [5.46]	112.8 [4.44]	12.2 [.48]	3.0 [.12]	1.0 [.04]	15.5 [.61]	1.78 [.07]	1.14 [.045]
202D242	34.0 [1.34]	22.9 [.90]	34.0 [1.34]	21.3 [.84]	9.7 [.38]	159.5 [5.28]	130.8 [5.15]	12.2 [.48]	3.0 [.12]	1.0 [.04]	15.7 [.62]	1.78 [.07]	1.14 [.045]
202D253	37.3 [1.47]	29.5 [1.16]	37.3 [1.47]	23.1 [.91]	10.4 [.41]	177.8 [7.00]	142.2 [5.60]	14.0 [.55]	3.0 [.12]	1.65 [.065]	18.0 [.71]	2.0 [.08]	1.14 [.045]
202D263	43.7 [1.72]	34.0 [1.34]	43.7 [1.72]	27.2 [1.07]	12.2 [.48]	203.2 [8.00]	163.1 [6.42]	15.2 [.60]	3.0 [.12]	1.65 [.065]	19.8 [.78]	2.0 [.08]	1.14 [.045]
202D274	50.0 [1.97]	41.2 [1.62]	50.0 [1.97]	31.5 [1.24]	14.2 [.56]	203.2 [8.00]	157.7 [6.21]	15.2 [.60]	3.0 [.12]	1.65 [.065]	20.8 [.82]	2.3 [.09]	1.40 [.055]
202D285	62.7 [2.47]	47.0 [1.85]	62.7 [2.47]	39.1 [1.54]	17.5 [.69]	203.2 [8.00]	153.2 [6.03]	16.0 [.63]	3.0 [.12]	2.0 [.08]	23.4 [.92]	2.5 [.10]	1.40 [.055]
202D296	69.3 [2.73]	59.7 [2.35]	69.3 [2.73]	43.2 [1.70]	19.6 [.77]	203.2 [8.00]	143.3 [5.64]	16.0 [.63]	3.0 [.12]	2.0 [.08]	23.6 [.93]	2.5 [.10]	1.40 [.055]
202D299	81.8 [3.22]	67.1 [2.64]	81.8 [3.22]	51.1 [2.01]	22.9 [.90]	203.2 [8.00]	138.4 [5.45]	16.0 [.63]	3.0 [.12]	2.0 [.08]	31.2 [1.23]	2.5 [.10]	1.40 [.055]

THIS DRAWING IS UNPUBLISHED. ALL RIGHTS RESERVED. © COPYRIGHT - TE Connectivity Ltd.

DIMENSIONS: mm [INCHES]	DWN	M MAZARIEGOS	03/15/2021	MATERIAL	SEE SHEET 2	FINISH	-
	TOLERANCES UNLESS OTHERWISE SPECIFIED:	CHK	M TAYLOR	03/16/2021	TE Connectivity Ltd.		
APVD		L RODRIGUEZ	03/16/2021				
0 PLC ± - 1 PLC ± 0.50[.1] 2 PLC ± 0.25[.01] 3 PLC ± 0.13[.005] 4 PLC ± - ANGLES ± 1°	PRODUCT SPEC		NAME				
	APPLICATION SPEC		BOOT, STRAIGHT, WITH LIP				
	WEIGHT	A4	00779	C=	202D211-XX-0THRU299-XX-0	RESTRICTED TO	
	CUSTOMER DRAWING		SCALE	DNS	SHEET	1 OF 2	REV

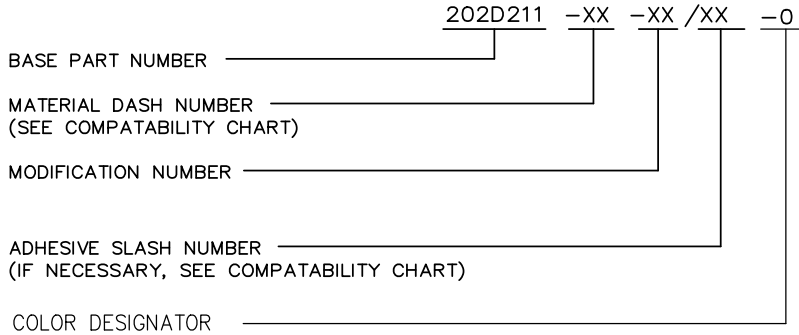
REVISIONS

P	LTR	DESCRIPTION	DATE	DWN	APVD
-	-	SEE SHEET 1	-	-	-

COMPATIBILITY CHART

MATERIAL DASH NO.	MATERIAL DESCRIPTION	RT SPEC	COATING SLASH NUMBER	COATING S NUMBER
-3	Polyolefin, Semi-rigid	RT-301	/42;/86;/180	S1017;S1048;S1030
-4	Polyolefin, Flexible	RT-1304	/42;/86;/180	S1017;S1048;S1030
-12	Fluoroelastomer,Flexible	RT-1312	N/A	N/A
-25	Elastomer, Fluid Resistant	RW-2070	/42;/86;/225	S1017;S1048;S1206
-100	Polyolefin, Semi-flexible ZEROHAL	RW-2082	/86;/180	S1048,S1030

ORDERING INFORMATION



NOTES:


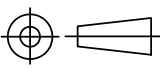
- DIMENSIONS APPEARING IN TABLE ARE AS FOLLOWS:
 - a - AS SUPPLIED
 - b - AFTER UNRESTRICTED RECOVERY
- COATING IS OPTIONAL. AS SUPPLIED DIMENSIONS APPEARING IN TABLE ARE FOR UNCOATED PARTS. WHEN COATING IS ADDED, ENTRY DIAMETERS WILL BE REDUCED BY 1.5mm[.06] MAX.
- MOLDING PORTS ARE OPTIONAL. WHEN -00 MODIFICATION NUMBER IS SPEDIFIED MOLDIG PORTS WILL BE LOCATED AS SHOWN.

RELEASED FOR PUBLICATION

ALL RIGHTS RESERVED.

© COPYRIGHT - TE Connectivity Ltd.

THIS DRAWING IS UNPUBLISHED.

DIMENSIONS: mm [INCHES]	DWN M MAZARIEGOS 03/15/2021	MATERIAL	-	FINISH	-
	CHK M TAYLOR 03/16/2021	 TE Connectivity Ltd.			
TOLERANCES UNLESS OTHERWISE SPECIFIED:	APVD L RODRIGUEZ 03/16/2021				
0 PLC ± -	PRODUCT SPEC	NAME BOOT, STRAIGHT, WITH LIP			
1 PLC ± 0.50[.1]	APPLICATION SPEC	SIZE	CAGE CODE	DRAWING NO	RESTRICTED TO
2 PLC ± 0.25[.01]	WEIGHT	A4	00779	202D211-XX-0THRU299-XX-0	-
3 PLC ± 0.13[.005]		CUSTOMER DRAWING			
4 PLC ± -		SCALE	DNS	SHEET	2 OF 2
ANGLES ± 1°					P1

X-ON Electronics

Largest Supplier of Electrical and Electronic Components

Click to view similar products for [Heat Shrink Cable Boots & End Caps](#) category:

Click to view products by [TE Connectivity](#) manufacturer:

Other Similar products are found below :

[577159N001](#) [645494-000](#) [CX4132-000](#) [687025-000](#) [705331-000](#) [718446-000](#) [725666N001](#) [729257-000](#) [F27131-000](#) [F85868-000](#) [770-003S106W2](#) [770-013210W1](#) [770-013311](#) [770-013312](#) [806542N001](#) [807507-000](#) [808362-000](#) [808618-000](#) [809125-000](#) [809130-000](#) [809218-000](#) [812014-000](#) [812047-000](#) [813166-000](#) [813767N002](#) [814741-000](#) [819117N001](#) [823026-000](#) [823070-000](#) [841189N001](#) [861471-000](#) [866647-000](#) [879515-000](#) [937577-000](#) [957073-000](#) [982033-2](#) [A77813-000](#) [R280576000](#) [D96192-000](#) [163549-000](#) [EN3BOOTLKIT](#) [MTPSRBCL-C](#) [1954015-1](#) [200W531-3-0](#) [202A163-4-0-CS5067](#) [202A343-3-00-0](#) [202B221-13-0](#) [202B231-13-0](#) [202B563-25-07-0](#) [202C241-13-0](#)