

REVISIONS				
P	LTR	DESCRIPTION	DATE	APVD
U		PRODUCTION ISSUE	18JAN2019	PNT MT

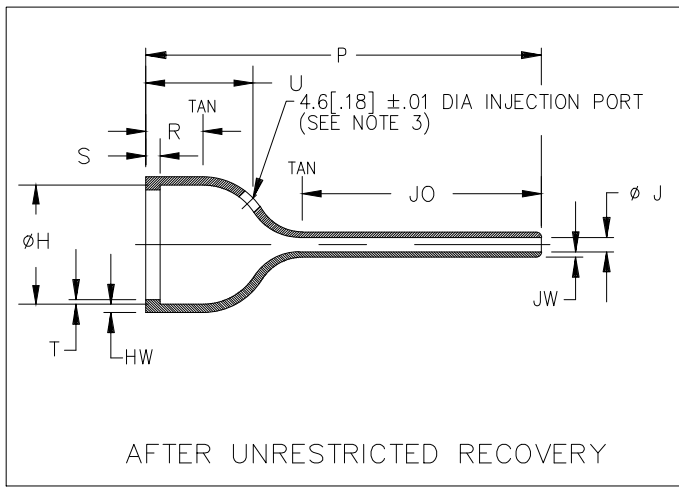
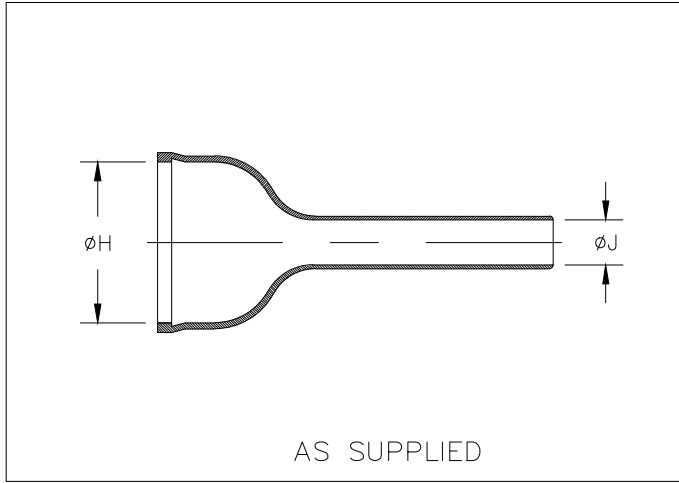


TABLE OF DIMENSIONS

PART NUMBER	H		J			P	R	S	T	U	JO	HW	JW
	Min	Max	Min	Min	Max	±10%	Ref	Ref	Ref	±10%	±10%	±20%	±20%
	a	b	-3, -4, -25 a	-12, -100 a	b	b	b	b	b	b	b	b	b
202D921	19.3 [.76]	13.0 [.51]	6.3 [.25]	4.5 [.18]	2.1 [.08]	60.2 [2.37]	11.7 [.46]	3.0 [.12]	1.0 [.04]	15.7 [.62]	37.6 [1.48]	1.5 [.06]	1.14 [.045]
202D932	26.1 [1.03]	19.1 [.75]	7.6 [.30]	5.5 [.22]	2.6 [.10]	74.2 [2.92]	12.2 [.48]	3.0 [.12]	1.0 [.04]	20.3 [.80]	45.0 [1.77]	1.8 [.07]	1.14 [.045]
202D953	34.2 [1.35]	26.0 [1.02]	9.6 [.38]	6.6 [.26]	3.1 [.12]	84.3 [3.32]	12.2 [.48]	3.0 [.12]	1.0 [.04]	20.9 [.90]	51.1 [2.01]	1.8 [.07]	1.14 [.045]
202D963	43.6 [1.72]	34.1 [1.34]	11.4 [.45]	7.8 [.31]	3.6 [.14]	99.6 [3.92]	12.2 [.48]	3.0 [.12]	1.65 [.065]	26.2 [1.03]	57.7 [2.27]	1.8 [.07]	1.14 [.045]

THIS DRAWING IS UNPUBLISHED. ALL RIGHTS RESERVED.

COPYRIGHT - TE Connectivity Ltd.

DIMENSIONS: mm [INCHES]	DWN	18JAN2019	MATERIAL	SEE SHEET 2	FINISH	-								
	CHK	18JAN2019	TE Connectivity Ltd.											
TOLERANCES UNLESS OTHERWISE SPECIFIED:	APVD	18JAN2019												
	PRODUCT SPEC	-	NAME	BOOT, STRAIGHT										
0 PLC ± - 1 PLC ± - 2 PLC ± - 3 PLC ± - 4 PLC ± - ANGLES ± -	APPLICATION SPEC	-	SIZE	A4	CAGE CODE	00779	DRAWING NO	202D921-XX-0THRU963-XX-0	RESTRICTED TO	-				
	WEIGHT	-	CUSTOMER DRAWING							SCALE	DNS	SHEET	1 OF 2	REV

REVISIONS					
P	LTR	DESCRIPTION	DATE	DWN	APVD
	-	SEE SHEET 1	-	-	-

COMPATABILITY CHART				
MATERIAL DASH NO.	MATERIAL DESCRIPTION	RT SPEC	COATING SLASH NO.	COATING S NO.
-3	Polyolefin, Semi-rigid	RT-301	/42;/86;/180	S1017;S1048;S1030
-4	Polyolefin, Flexible	RT-1304	/42;/86;/180	S1017;S1048;S1030
-12	Fluoroelastomer, Flexible	RT-1312	N/A	N/A
-25	Elastomer, Fluid Resistant	RW-2070	/42;/86;/225	S1017;S1048;S1206
-100	Polyolefin, Semi-flexible ZEROHAL	RW-2082	/86;/180	S1048,S1030

ORDERING INFORMATION

Base part number _____ 202D9XX -XX -XX /XX -0
 Material dash number _____
 (See Compatability Chart)
 Modification number _____
 Adhesive slash number _____
 (If necessary, see Compatability Chart)
 Color Designator _____


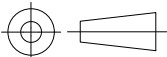
NOTES

- Dimensions appearing in table are as follows:
 - a - As Supplied
 - b - After Unrestricted Recovery
- Coating is optional. As supplied dimensions appearing in table are for uncoated parts. When coating is added, entry diameters will be reduced by 1.5mm[.06] max.
- Molding port is optional. When -00 modification number is specified molding port will be located as shown.

RELEASED FOR PUBLICATION

ALL RIGHTS RESERVED.

COPYRIGHT - TE Connectivity Ltd.

DIMENSIONS: mm [INCHES]	DWN PRAVEEN N T 18JAN2019	MATERIAL -	FINISH -						
	CHK N NAGAR 18JAN2019	 TE Connectivity Ltd.							
TOLERANCES UNLESS OTHERWISE SPECIFIED:	APVD M TAYLOR 18JAN2019			NAME BOOT, STRAIGHT					
0 PLC ± -	PRODUCT SPEC	SIZE	CAGE CODE	DRAWING NO	RESTRICTED TO				
1 PLC ± -	-	A4	00779	C-202D921-XX-0THRU963-XX-0	-				
2 PLC ± -	APPLICATION SPEC								
3 PLC ± -	-								
4 PLC ± -	WEIGHT								
ANGLES ± -									
		CUSTOMER DRAWING		SCALE	DNS	SHEET	2 OF 2	REV	U

X-ON Electronics

Largest Supplier of Electrical and Electronic Components

Click to view similar products for [Heat Shrink Cable Boots & End Caps](#) category:

Click to view products by [TE Connectivity](#) manufacturer:

Other Similar products are found below :

[577159N001](#) [645494-000](#) [CX4132-000](#) [687025-000](#) [705331-000](#) [718446-000](#) [725666N001](#) [729257-000](#) [F27131-000](#) [F85868-000](#) [770-003S106W2](#) [770-013210W1](#) [770-013311](#) [770-013312](#) [806542N001](#) [807507-000](#) [808059-000](#) [808362-000](#) [808618-000](#) [809125-000](#) [809130-000](#) [809218-000](#) [812014-000](#) [812047-000](#) [813166-000](#) [813767N002](#) [814741-000](#) [819117N001](#) [823026-000](#) [823070-000](#) [825002-000](#) [841189N001](#) [861471-000](#) [866647-000](#) [879515-000](#) [937577-000](#) [957073-000](#) [982033-2](#) [A77813-000](#) [R280576000](#) [D96192-000](#) [163549-000](#) [MTPSRBCL-C](#) [1954015-1](#) [200W531-3-0](#) [202A163-4-0-CS5067](#) [202A343-3-00-0](#) [202B221-13-0](#) [202B231-13-0](#) [202B563-25-07-0](#)