

REVISIONS				
P	LTR	DESCRIPTION	DATE	APVD
	M	PRODUCTION ISSUE	18JAN2019	PNT MT

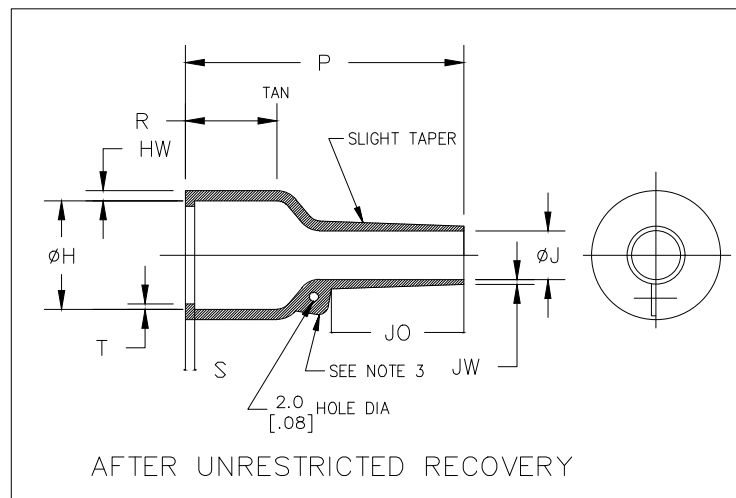
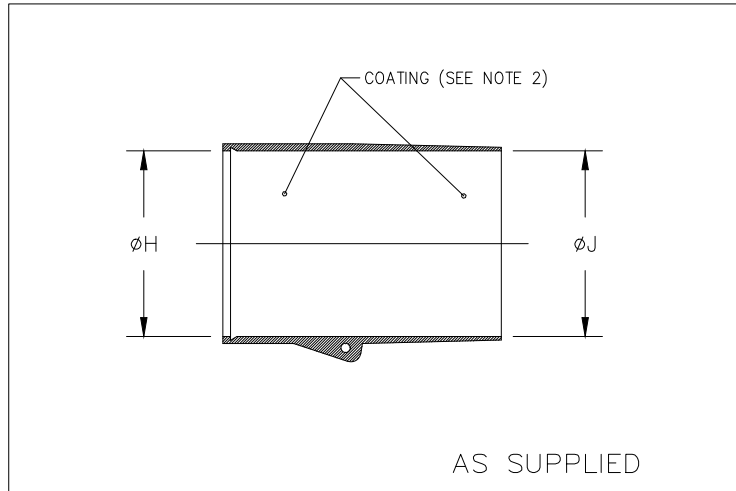


TABLE OF DIMENSIONS

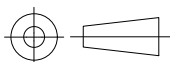
PART NUMBER	H		J				P	R	S	T	JO	HW	JW
	Min _a	Max _b	Min _a -3,-4,-25	Min _a -12	Min _a -100	Max _b	±10% b	±10% b	±10% b	±10% b	±10% b	±20% b	Min b
202K121-X-01	24.0 [.95]	10.4 [.41]	24.0 [.95]	13.0 [.51]	14.0 [.55]	5.6 [.22]	26.0 [1.02]	9.0 [.35]	3.0 [.12]	1.0 [.04]	8.5 [.33]	1.6 [.06]	0.41 [.016]
202K132-X-01	30.0 [1.18]	14.2 [.56]	30.0 [1.18]	14.0 [.55]	15.0 [.59]	5.9 [.23]	43.0 [1.69]	20.0 [.79]	3.0 [.12]	1.0 [.04]	11.5 [.45]	1.8 [.07]	0.81 [.032]
202K142-X-01	31.0 [1.22]	18.0 [.71]	31.0 [1.22]	16.0 [.63]	18.0 [.71]	7.1 [.28]	47.0 [1.85]	15.0 [.59]	3.0 [.12]	1.0 [.04]	17.0 [.67]	1.8 [.07]	0.81 [.032]
202K153-X-01	36.0 [1.42]	22.4 [.88]	36.0 [1.42]	19.0 [.75]	21.0 [.83]	8.4 [.33]	60.0 [2.36]	22.0 [.87]	3.0 [.12]	1.0 [.04]	19.5 [.76]	2.0 [.08]	0.81 [.032]

THIS DRAWING IS UNPUBLISHED.

ALL RIGHTS RESERVED.

TE Connectivity Ltd.

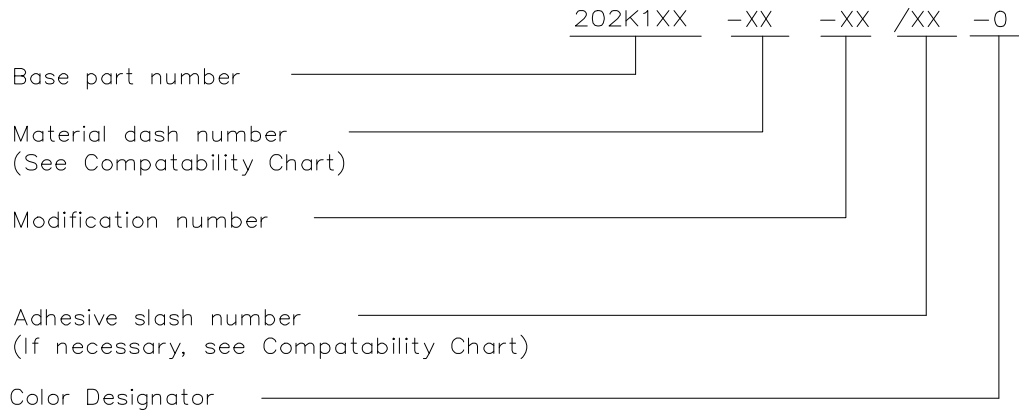
DIMENSIONS: mm [INCHES]	DWN PRAVEEN N T 18JAN2019	MATERIAL SEE SHEET 2	FINISH -
	CHK N NAGAR 18JAN2019	TE Connectivity Ltd.	
TOLERANCES UNLESS OTHERWISE SPECIFIED:	APVD M TAYLOR 18JAN2019		
0 PLC ± -	PRODUCT SPEC -	SIZE A4	CAGE CODE 00779
1 PLC ± -	APPLICATION SPEC -	DRAWING NO G-202K121-XX-01-0THRU153-XX-01-0	RESTRICTED TO -
2 PLC ± -	WEIGHT	SCALE DNS	
3 PLC ± -	CUSTOMER DRAWING	SHEET 1 OF 2	
4 PLC ± -		REV M	
ANGLES ± -			



REVISIONS				
P	LTR	DESCRIPTION	DATE	APVD
	-	SEE SHEET 1	-	-

COMPATABILITY CHART				
MATERIAL DASH NO.	MATERIAL DESCRIPTION	RT SPEC	COATING SLASH NO.	COATING S NO.
-3	Polyolefin, Semi-rigid	RT-301	/42,/86,/180	S1017,S1048,S1030
-4	Polyolefin, Flexible	RT-1304	/42,/86,/180	S1017,S1048,S1030
-12	Fluoroelastomer, Flexible	RT-1312	N/A	N/A
-25	Elastomer, Fluid Resistant	RW-2070	/42,/86,/225	S1017,S1048,S1206
-100	Polyolefin, Semi-flexible ZEROHAL	RW-2082	/86,/180	S1048,S1030

ORDERING INFORMATION



NOTES


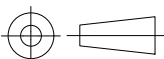
- Dimensions appearing in table are as follows:
 - a - As Supplied
 - b - After Unrestricted Recovery
- Coating is optional. As supplied dimensions appearing in table are for uncoated parts. When coating is added, entry diameters will be reduced by 1.5mm[.06] max.
- Parts made from -12 material will not have eyelet feature.
- If eyelet clip (000W212) is required with part then add CS-1858 to description (i.e. 202K121-3-0-CS-1858).

RELEASED FOR PUBLICATION

ALL RIGHTS RESERVED.

© COPYRIGHT - TE Connectivity Ltd.

THIS DRAWING IS UNPUBLISHED.

DIMENSIONS: mm [INCHES]	DWN PRAVEEN N T 18JAN2019	MATERIAL -	FINISH -
	CHK N NAGAR 18JAN2019	 TE Connectivity Ltd.	
TOLERANCES UNLESS OTHERWISE SPECIFIED:	APVD M TAYLOR 18JAN2019		
0 PLC ± -	PRODUCT SPEC	SIZE	CAGE CODE
1 PLC ± -	-	A4	00779
2 PLC ± -	APPLICATION SPEC	DRAWING NO	RESTRICTED TO
3 PLC ± -	-	C-202K121-XX-01-0THRU153-XX-01-0	-
4 PLC ± -	-	CUSTOMER DRAWING	
ANGLES ± -	WEIGHT	SCALE	SHEET
	-	DNS	2 OF 2
			REV M

X-ON Electronics

Largest Supplier of Electrical and Electronic Components

Click to view similar products for [Heat Shrink Cable Boots & End Caps](#) category:

Click to view products by [TE Connectivity](#) manufacturer:

Other Similar products are found below :

[577159N001](#) [645494-000](#) [CX4132-000](#) [687025-000](#) [705331-000](#) [718446-000](#) [725666N001](#) [729257-000](#) [F27131-000](#) [F85868-000](#) [770-003S106W2](#) [770-013210W1](#) [770-013311](#) [770-013312](#) [806542N001](#) [807507-000](#) [808059-000](#) [808362-000](#) [808618-000](#) [809125-000](#) [809130-000](#) [809218-000](#) [812014-000](#) [812047-000](#) [813166-000](#) [813767N002](#) [814741-000](#) [819117N001](#) [823026-000](#) [823070-000](#) [825002-000](#) [841189N001](#) [861471-000](#) [866647-000](#) [879515-000](#) [937577-000](#) [957073-000](#) [982033-2](#) [A77813-000](#) [R280576000](#) [D96192-000](#) [163549-000](#) [MTPSRBCL-C](#) [1954015-1](#) [200W531-3-0](#) [202A163-4-0-CS5067](#) [202A343-3-00-0](#) [202B221-13-0](#) [202B231-13-0](#) [202B563-25-07-0](#)