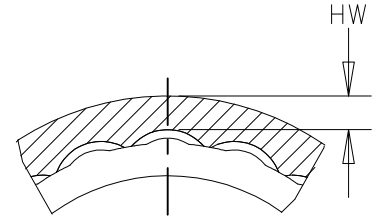
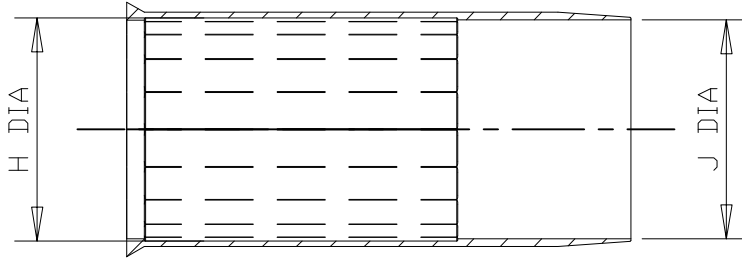


REVISIONS

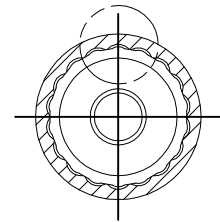
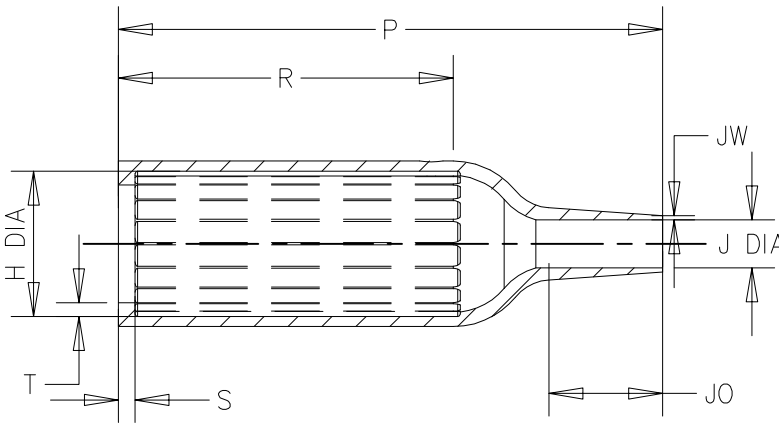
P	LTR	DESCRIPTION	DATE	DWN	APVD
A		ECO-17-009760	04JUL2017	PV	AP

a) Part as supplied.



DETAIL VIEW

b) Part after unrestricted recovery.



Part No.	H		J		P	R	S	T	JO	HW	JW
	Min a	Max b	Min a	Max b	±10% b	±10% b	±10% b	±10% b	±10% b	±20% b	±20% b
202K121-25L-0	24 [.94]	10.4 [.41]	24 [.94]	5.6 [.22]	38 [1.50]	21 [.83]	3.0 [.12]	1.0 [.04]	8.5 [.33]	1.3 [.05]	0.9 [.04]
202K132-25L-0	30 [1.18]	14.2 [.56]	30 [1.18]	5.9 [.23]	55 [2.17]	32 [1.26]	3.0 [.12]	1.0 [.04]	11.5 [.45]	1.3 [.05]	1.0 [.04]
202K142-25L-0	31 [1.22]	18.0 [.71]	31 [1.22]	7.1 [.28]	67 [2.64]	35 [1.38]	3.0 [.12]	1.0 [.04]	17.0 [.67]	1.2 [.04]	1.0 [.04]
202K153-25L-0	36 [1.42]	22.4 [.88]	36 [1.42]	8.4 [.33]	80 [3.15]	42 [1.65]	3.0 [.12]	1.0 [.04]	19.5 [.77]	1.5 [.06]	1.0 [.04]
202K163-25L-0	43 [1.69]	28.2 [1.11]	43 [1.69]	9.9 [.39]	99 [3.90]	61 [2.40]	3.0 [.12]	1.7 [.07]	21.0 [.83]	2.0 [.08]	1.2 [.05]
202K174-25L-0	60 [2.36]	35.1 [1.38]	60 [2.36]	15.7 [.62]	130 [5.12]	72 [2.83]	3.0 [.12]	1.7 [.07]	39.0 [1.54]	2.3 [.09]	1.5 [.06]
202K185-25L-0	66 [2.60]	44.5 [1.75]	66 [2.60]	16.8 [.66]	170 [6.69]	90 [3.54]	3.0 [.12]	2.0 [.08]	51.5 [2.03]	1.8 [.07]	2.0 [.08]

RELEASED FOR PUBLICATION

ALL RIGHTS RESERVED.

THIS DRAWING IS UNPUBLISHED.

© COPYRIGHT 2017 TE Connectivity

DIMENSIONS: mm [INCHES]	DWN	P. VU	04JUL2017	MATERIAL	-25L	FINISH	-	
	CHK	N. NAGAR	04JUL2017					
TOLERANCES UNLESS OTHERWISE SPECIFIED:	APVD	A. POOLE	04JUL2017					
0 PLC ± - 1 PLC ± - 2 PLC ± - 3 PLC ± - 4 PLC ± - ANGLES ± -	PRODUCT SPEC	NAME						
	APPLICATION SPEC	BOOT, STRAIGHT WITH LIP						
	WEIGHT	A4	00779	C=	202K1XX-25L-0	RESTRICTED TO	-	
	CUSTOMER DRAWING				SCALE	DNS	SHEET	1 of 2
							REV	A

REVISIONS				
P	LTR	DESCRIPTION	DATE	APVD
-	-	SEE SHEET 1	-	-

COMPATIBILITY CHART			
Material Dash No.	Material Description	SPEC No.	Coating Slash No.
-25L	LIGHT WEIGHT POLYMER, FLUID RESISTANT	RW-3040	/225

ORDERING INFORMATION




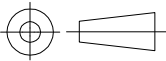
NOTES

- As supplied dimensions are for parts without adhesive, when an adhesive layer is added entry diameters will reduce by 1.5mm Max.
- Parts will have a bump or depression on the inner surface at the material injection point.
- Dimensions appearing in table are as follows -
 a - As supplied
 b - After unrestricted Recovery

RELEASED FOR PUBLICATION

ALL RIGHTS RESERVED.

© COPYRIGHT 2017 TE Connectivity

DIMENSIONS: mm [INCHES]	DWN P. VU	04JUL2017	MATERIAL -25L	FINISH -
	CHK N. NAGAR	04JUL2017	 TE Connectivity	
TOLERANCES UNLESS OTHERWISE SPECIFIED:	APVD A. POOLE	04JUL2017		
0 PLC ± -	PRODUCT SPEC	NAME BOOT, STRAIGHT WITH LIP		
1 PLC ± -	APPLICATION SPEC	SIZE	CAGE CODE	DRAWING NO
2 PLC ± -	WEIGHT	A4	00779	202K1XX-25L-0
3 PLC ± -		RESTRICTED TO		
4 PLC ± -		-		
ANGLES ± -		CUSTOMER DRAWING		
		SCALE	DNS	SHEET 2 OF 2
				REV A

X-ON Electronics

Largest Supplier of Electrical and Electronic Components

Click to view similar products for [Heat Shrink Cable Boots & End Caps](#) category:

Click to view products by [TE Connectivity](#) manufacturer:

Other Similar products are found below :

[577159N001](#) [645494-000](#) [CX4132-000](#) [687025-000](#) [705331-000](#) [718446-000](#) [725666N001](#) [729257-000](#) [F27131-000](#) [F85868-000](#) [770-003S106W2](#) [770-013210W1](#) [770-013311](#) [770-013312](#) [806542N001](#) [807507-000](#) [808362-000](#) [808618-000](#) [809125-000](#) [809130-000](#) [809218-000](#) [812014-000](#) [812047-000](#) [813166-000](#) [813767N002](#) [814741-000](#) [819117N001](#) [823026-000](#) [823070-000](#) [841189N001](#) [861471-000](#) [866647-000](#) [879515-000](#) [937577-000](#) [957073-000](#) [982033-2](#) [A77813-000](#) [R280576000](#) [D96192-000](#) [163549-000](#) [EN3BOOTLKIT](#) [MTPSRBCL-C](#) [1954015-1](#) [200W531-3-0](#) [202A163-4-0-CS5067](#) [202A343-3-00-0](#) [202B221-13-0](#) [202B231-13-0](#) [202B563-25-07-0](#) [202C241-13-0](#)