

Thermofit[®] Molded Parts Specification Control Drawing Limited Distribution

Part Number : 202K163-25-02/225

Description : Boot, Straight With Lip

NOTES

- All dimensions are in $\frac{\text{inches}}{\text{[millimeters]}}$
- Dimensions appearing in table are as follows:
a - As Supplied
b - After Unrestricted Recovery
- Coating is optional. As supplied dimensions appearing in table are for uncoated parts. When coating is added, entry diameters will be reduced by .06 max.
- Eyelet Clip (000WZ12) is included with each part except those of -12. Clip is cadmium plated and olive drab color to Spec. Q0-P-416 Type II Class 3.

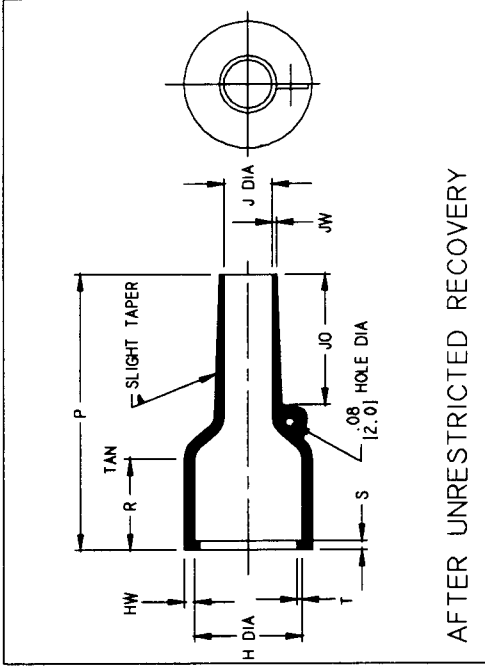
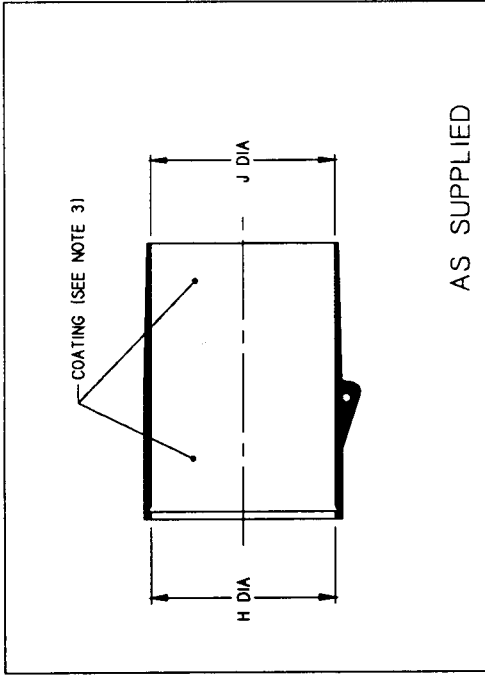


TABLE OF DIMENSIONS

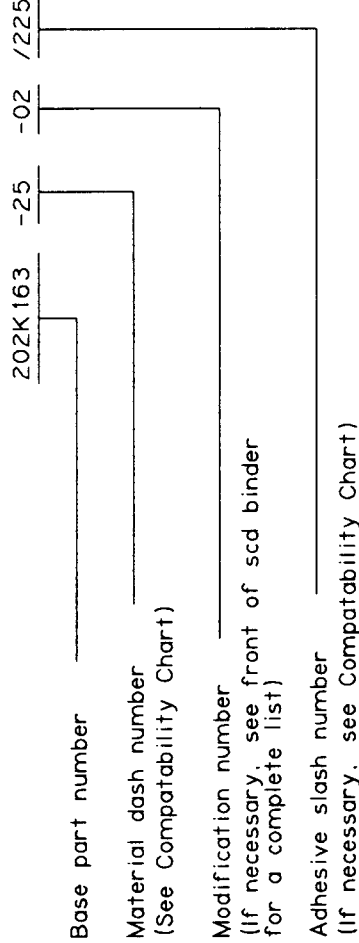
PART NUMBER	H		J		P	R	S	T	JO	HW	JW
	Min a	Max b	Min a	Max b							
202K163-25-02/225	1.69 [43.0]	1.11 [28.2]	1.69 [43.0]	.39 [9.9]	2.32 [59.0]	.83 [21.0]	.12 [3.0]	.07 [1.7]	.82 [21.0]	.08 [2.2]	.032 [0.81]
					± 10%	± 10%	± 10%	± 10%	± 10%	± 20%	Min
					b	b	b	b	b	b	b

Thermofit[®] Molded Parts Specification Control Drawing Limited Distribution

Part Number : 202K163-25-02/225
Description : Boot, Straight with Lip

COMPATABILITY CHART					
MATERIAL DASH NO.	MATERIAL DESCRIPTION	RT SPEC	COATING SLASH NO.	COATING S NO.	COATING DESCRIPTION
-25	Elastomer, Fluid Resistant	RT-1325	/225	S-1206	Adhesive

ORDERING INFORMATION



THIS DRAWING IS SUBJECT TO CHANGE WITHOUT NOTICE: CONSULT YOUR
NEAREST FIELD REPRESENTATIVE FOR CURRENT REVISION

Raychem
RAYCHEM CORPORATION
300 CONSTITUTION DRIVE
MENLO PARK, CALIFORNIA 94025
(415) 361-6055

Revision : C
Date : 7/30/92

Part Number : 202K163-25-02/225
Description : Boot, Straight With Lip
CAD FILE MP9235

X-ON Electronics

Largest Supplier of Electrical and Electronic Components

Click to view similar products for [Heat Shrink Cable Boots & End Caps](#) category:

Click to view products by [TE Connectivity](#) manufacturer:

Other Similar products are found below :

[577159N001](#) [645494-000](#) [CX4132-000](#) [687025-000](#) [705331-000](#) [718446-000](#) [725666N001](#) [729257-000](#) [F27131-000](#) [F85868-000](#) [770-003S106W2](#) [770-013210W1](#) [770-013311](#) [770-013312](#) [806542N001](#) [807507-000](#) [808362-000](#) [808618-000](#) [809125-000](#) [809130-000](#) [809218-000](#) [812014-000](#) [812047-000](#) [813166-000](#) [813767N002](#) [814741-000](#) [819117N001](#) [823026-000](#) [823070-000](#) [841189N001](#) [861471-000](#) [866647-000](#) [879515-000](#) [937577-000](#) [957073-000](#) [982033-2](#) [A77813-000](#) [R280576000](#) [D96192-000](#) [163549-000](#) [EN3BOOTLKIT](#) [MTPSRBCL-C](#) [1954015-1](#) [200W531-3-0](#) [202A163-4-0-CS5067](#) [202A343-3-00-0](#) [202B221-13-0](#) [202B231-13-0](#) [202B563-25-07-0](#) [202C241-13-0](#)