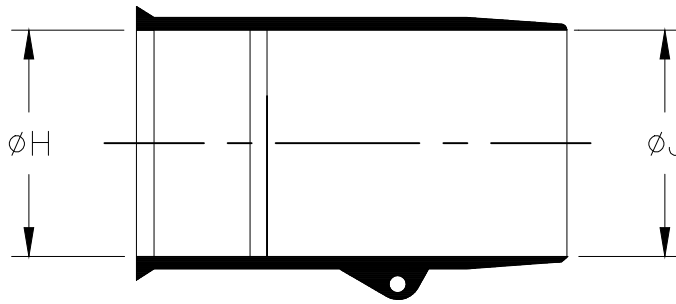


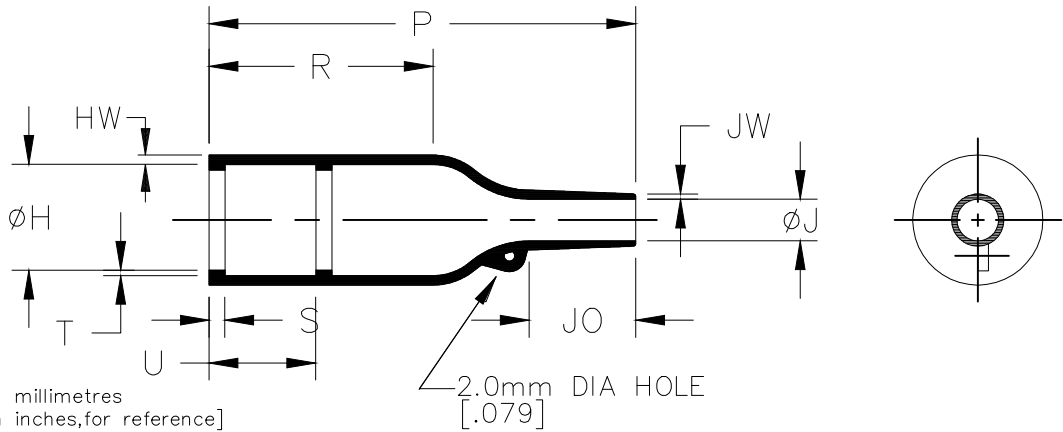
REVISIONS

| P | LTR | DESCRIPTION | DATE | DWN | APVD |
|---|-----|------------------|-----------|-----|------|
| | 6 | PRODUCTION ISSUE | 07JUN2018 | KH | NN |

a) Part as supplied.



b) Part after unrestricted recovery.



DIMENSIONS in millimetres
[in inches, for reference]

| Part No. | H | | J | | P | R | S | T | U | JO | HW | JW |
|-----------------|--------------|----------------|--------------|---------------|---------------|--------------|--------------|--------------|-------------|----------------|--------------|--------------|
| | Min a | Max b | Min a | Max b | ±10% b | ±10% b | ±10% b | ±10% b | ±10% b | ±10% b | ±20% b | ±20% b |
| 202K121-XX-01-0 | 24 [.94] | 10.4 [.41] | 24 [.94] | 5.6 [.22] | 26 [1.02] | 9 [.35] | 3.0 [.12] | 1.0 [.04] | ① | 8.5 [.33] | 1.6 [.06] | 0.9 [.04] |
| 202K132-XX-01-0 | 30 [1.18] | 14.2 [.56] | 30 [1.18] | 5.9 [.23] | 43 [1.69] | 20 [.79] | 3.0 [.12] | 1.0 [.04] | ① | 11.5 [.45] | 1.8 [.07] | 1.0 [.04] |
| 202K142-XX-01-0 | 31 [1.22] | 18.0 [.71] | 31 [1.22] | 7.1 [.28] | 47 [1.85] | 15 [.59] | 3.0 [.12] | 1.0 [.04] | ① | 17.0 [.67] | 1.8 [.07] | 1.0 [.04] |
| 202K153-XX-01-0 | 36 [1.42] | 22.4 [.88] | 36 [1.42] | 8.4 [.33] | 60 [2.36] | 22 [.87] | 3.0 [.12] | 1.0 [.04] | ① | 19.5 [.77] | 2.0 [.08] | 1.0 [.04] |
| 202K163-XX-01-0 | 43 [1.69] | 28.2 [1.11] | 43 [1.69] | 9.9 [.39] | 79 [3.11] | 41 [1.61] | 3.0 [.12] | 1.7 [.07] | 20 [.79] | 21.0 [.83] | 2.2 [.09] | 1.0 [.04] |
| 202K174-XX-01-0 | 60 [2.36] | 35.1 [1.38] | 60 [2.36] | 15.7 [.62] | 110 [4.33] | 52 [2.05] | 3.0 [.12] | 1.7 [.07] | 20 [.79] | 39.0 [1.54] | 3.2 [.13] | 1.5 [.06] |
| 202K185-XX-01-0 | 66 [2.60] | 44.5 [1.75] | 66 [2.60] | 16.8 [.66] | 150 [5.91] | 70 [2.76] | 3.0 [.12] | 2.0 [.08] | 20 [.79] | 51.5 [2.03] | 3.8 [.15] | 2.0 [.08] |

#

This is a trimmed variant Modified dimensions: - #

RELEASED FOR PUBLICATION

ALL RIGHTS RESERVED.

TE Connectivity Ltd.



THIS DRAWING IS UNPUBLISHED.

| | | | | | | |
|--|------------------|------------|---------------------------------|-------------|-----------------|---------------|
| DIMENSIONS: mm [INCHES] | DWN A.LILLEY. | April 2007 | MATERIAL | SEE SHEET 2 | FINISH | - |
| | CHK | - | TE Connectivity Ltd. | | | |
| TOLERANCES UNLESS OTHERWISE SPECIFIED: | APVD | - | | | | |
| 0 PLC ± - | PRODUCT SPEC | - | NAME BOOT, STRAIGHT WITH LIP | | | |
| 1 PLC ± - | - | - | | | | |
| 2 PLC ± - | APPLICATION SPEC | - | SIZE | CAGE CODE | DRAWING NO | RESTRICTED TO |
| 3 PLC ± - | - | - | A4 | 00779 | 202K1XX-XX-01-0 | - |
| 4 PLC ± - | WEIGHT | - | SCALE DNS SHEET 1 OF 2 REV 6 | | | |
| ANGLES ± - | - | - | | | | |
| | | | CUSTOMER DRAWING | | | |

| REVISIONS | | | | |
|-----------|-----|-------------|------|------|
| P | LTR | DESCRIPTION | DATE | APVD |
| | - | SEE SHEET 1 | - | - |

COMPATIBILITY CHART

| Material Dash Number | Material Description | SPEC Number | Coating Slash Number |
|----------------------|----------------------------|-------------|----------------------|
| -3 | POLYOLEFIN, SEMI-RIGID | RT-301 | /42, /86, /180 |
| -4 | POLYOLEFIN, FLEXIBLE | RT-1304 | /42, /86, /180 |
| -25 | ELASTOMER, FLUID RESISTANT | RW-2070 | /42, /86, /225 |
| | | | |
| | | | |
| | | | |

Ordering Information

202K1**-* -01/**-0

- ↑ COLOR DESIGNATOR
- ↑ Adhesive Slash Number (if required see compatibility chart)
- ↑ Modification number
- ↑ Material Dash Number (see compatibility chart)
- ↑ Base Part Number

NOTES

- 1) Dimension U does not apply on sizes 202K121 thru 202K153.
- 2) If eyelet clip (000W212) is required with part then add CS-1858 to description (i.e. 202K132-3-01-CS-1858-0).
- 3) As supplied dimensions are for uncoated parts, when coating is added entry diameters will reduce by 1.5mm[.06] Max.

RELEASED FOR PUBLICATION

ALL RIGHTS RESERVED.

© COPYRIGHT - TE Connectivity Ltd.

THIS DRAWING IS UNPUBLISHED.

| | | | | |
|---|--|---------------------------------|--------------------|-------------------------------|
| DIMENSIONS: mm [INCHES] | DWN A.LILLEY. | April 2007 | MATERIAL - | FINISH - |
| | TOLERANCES UNLESS OTHERWISE SPECIFIED: | CHK - | APVD - | TE Connectivity Ltd. |
| 0 PLC ± - 1 PLC ± - 2 PLC ± - 3 PLC ± - 4 PLC ± - ANGLES ± - | PRODUCT SPEC - | NAME BOOT, STRAIGHT WITH LIP | | |
| | APPLICATION SPEC - | SIZE A4 | CAGE CODE 00779 | DRAWING NO 202K1XX-XX-01-0 |
| WEIGHT - | | RESTRICTED TO - | | |
| CUSTOMER DRAWING | | | SCALE DNS | SHEET 2 OF 2 |
| | | | REV 6 | |

X-ON Electronics

Largest Supplier of Electrical and Electronic Components

Click to view similar products for [Heat Shrink Cable Boots & End Caps](#) category:

Click to view products by [TE Connectivity](#) manufacturer:

Other Similar products are found below :

[577159N001](#) [645494-000](#) [CX4132-000](#) [687025-000](#) [705331-000](#) [718446-000](#) [725666N001](#) [729257-000](#) [F27131-000](#) [F85868-000](#) [770-003S106W2](#) [806542N001](#) [807507-000](#) [808059-000](#) [808362-000](#) [808618-000](#) [809125-000](#) [809130-000](#) [809218-000](#) [812014-000](#) [812047-000](#) [813166-000](#) [813767N002](#) [814741-000](#) [819117N001](#) [823026-000](#) [823070-000](#) [825002-000](#) [841189N001](#) [861471-000](#) [866647-000](#) [879515-000](#) [937577-000](#) [957073-000](#) [982033-2](#) [A77813-000](#) [R280576000](#) [D96192-000](#) [163549-000](#) [MTPSRBCL-C](#) [1954015-1](#) [200W531-3-0](#) [202A163-4-0-CS5067](#) [202A343-3-00-0](#) [202B221-13-0](#) [202B231-13-0](#) [202B563-25-07-0](#) [202C241-13-0](#) [202D121-4-01/86-0](#) [202D132-4-07/42-0](#)