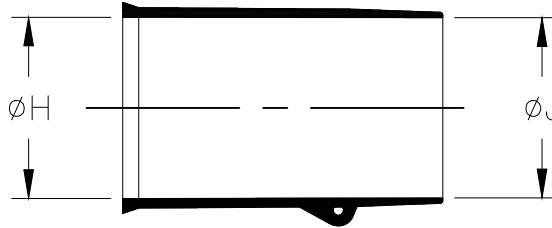
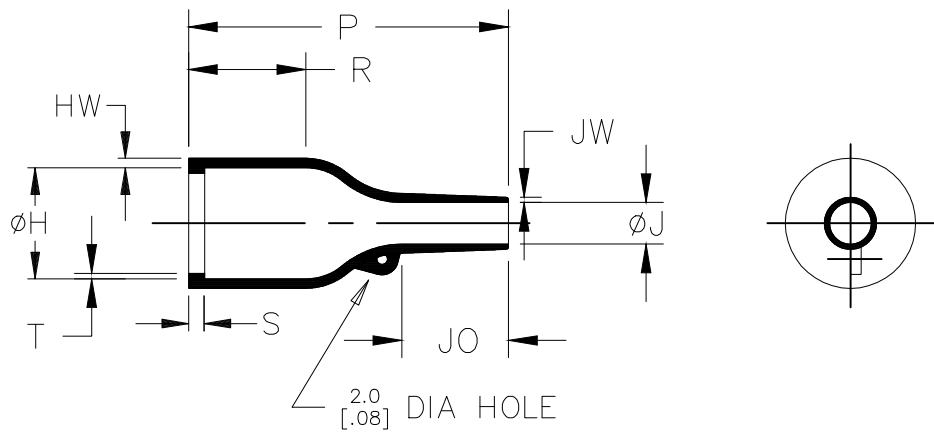


REVISIONS					
P	LTR	DESCRIPTION	DATE	DWN	APVD
	5	PRODUCTION ISSUE	31JAN2019	PNT	MT

a) Part as supplied.



b) Part after unrestricted recovery.



DIMENSIONS in millimetres  
[in inches, for reference]

Part No.	H		J		P	R	S	T	JO	HW	JW
	Min a	Max b	Min a	Max b	$\pm 10\%$ b	$\pm 10\%$ b	$\pm 10\%$ b	$\pm 10\%$ b	$\pm 10\%$ b	$\pm 10\%$ b	$\pm 20\%$ b
202K163-*--02	43 [1.69]	28.2 [1.11]	43 [1.69]	9.9 [.39]	59 [2.32]	21 [.83]	3.0 [.12]	1.7 [.07]	21.0 [.83]	2.2 [.09]	1.0 [.04]
202K174-*--02	60 [2.36]	35.1 [1.38]	60 [2.36]	15.7 [.62]	90 [3.54]	32 [1.26]	3.0 [.12]	1.7 [.07]	39.0 [1.54]	3.2 [.13]	1.5 [.06]
202K185-*--02	66 [2.60]	44.5 [1.75]	66 [2.60]	16.8 [.66]	130 [5.12]	50 [1.97]	3.0 [.12]	2.0 [.08]	51.5 [2.03]	3.8 [.15]	2.0 [.08]

# #


This is a trimmed variant Modified dimensions: - #

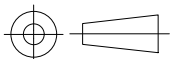
RELEASED FOR PUBLICATION

ALL RIGHTS RESERVED.

THIS DRAWING IS UNPUBLISHED.

TE Connectivity Ltd. COPYRIGHT -

DIMENSIONS: mm [INCHES]	DWN PRAVEEN N T	31JAN2019	MATERIAL	SEE SHEET 2	FINISH	-
	CHK N NAGAR	31JAN2019	 TE Connectivity Ltd.			
TOLERANCES UNLESS OTHERWISE SPECIFIED:	APVD M TAYLOR	31JAN2019				
0 PLC $\pm -$	PRODUCT SPEC	-	NAME MOULDED BOOT, STRAIGHT, WITH LIP			
1 PLC $\pm -$	APPLICATION SPEC	-	SIZE	CAGE CODE	DRAWING NO	RESTRICTED TO
2 PLC $\pm -$	-	-	A4	00779	C-202K1XX-XX-02-0	-
3 PLC $\pm -$	WEIGHT	-	CUSTOMER DRAWING			
4 PLC $\pm -$	-	-	SCALE	DNS	SHEET	1 OF 2
ANGLES $\pm -$	-	-	REV 5			



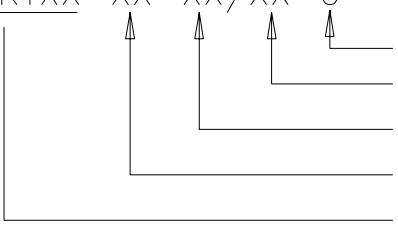
REVISIONS				
P	LTR	DESCRIPTION	DATE	APVD
	-	SEE SHEET 1	-	-

## COMPATIBILITY CHART

Material Dash Number	Material Description	RT Spec	Coating Slash No.	Coating S No.
-3	POLYOLEFIN, SEMI-RIGID	RT-301	/42, /86, /180	S1017; S1048; S1030
-4	POLYOLEFIN, FLEXIBLE	RT-1304	/42, /86, /180	S1017; S1048; S1030
-25	ELASTOMER, FLUID RESISTANT	RW-2070	/42, /86, /225	S1017; S1048; S1206

## Ordering Information

202K1XX-XX-XX/XX-0



- Color designator
- Adhesive Slash Number (if required see compatibility chart)
- Modification number
- Material Dash Number (see compatibility chart)
- Base Part Number

### NOTES

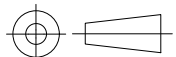
- As supplied dimensions are for uncoated parts, when coating is added, entry diameters will reduce by 1.5mm[.06] Max.

RELEASED FOR PUBLICATION

ALL RIGHTS RESERVED.

© COPYRIGHT - TE Connectivity Ltd.

THIS DRAWING IS UNPUBLISHED.

DIMENSIONS: mm [INCHES]	DWN PRAVEEN N T 31JAN2019	MATERIAL -	FINISH -			
	CHK N NAGAR 31JAN2019	TE Connectivity Ltd.				
TOLERANCES UNLESS OTHERWISE SPECIFIED:  0 PLC ± - 1 PLC ± - 2 PLC ± - 3 PLC ± - 4 PLC ± - ANGLES ± -	APVD M TAYLOR 31JAN2019			NAME MOULDED BOOT, STRAIGHT, WITH LIP		
	PRODUCT SPEC -	SIZE A4	CAGE CODE 00779			DRAWING NO G-202K1XX-XX-02-0
WEIGHT 		CUSTOMER DRAWING		SCALE DNS	SHEET 2 OF 2	REV 5

## X-ON Electronics

Largest Supplier of Electrical and Electronic Components

*Click to view similar products for [Heat Shrink Cable Boots & End Caps](#) category:*

*Click to view products by [TE Connectivity](#) manufacturer:*

Other Similar products are found below :

[577159N001](#) [645494-000](#) [CX4132-000](#) [687025-000](#) [705331-000](#) [718446-000](#) [725666N001](#) [729257-000](#) [F27131-000](#) [F85868-000](#) [770-003S106W2](#) [770-013210W1](#) [770-013311](#) [770-013312](#) [806542N001](#) [807507-000](#) [808059-000](#) [808362-000](#) [808618-000](#) [809125-000](#) [809130-000](#) [809218-000](#) [812014-000](#) [812047-000](#) [813166-000](#) [813767N002](#) [814741-000](#) [819117N001](#) [823026-000](#) [823070-000](#) [825002-000](#) [841189N001](#) [861471-000](#) [866647-000](#) [879515-000](#) [937577-000](#) [957073-000](#) [982033-2](#) [A77813-000](#) [R280576000](#) [D96192-000](#) [163549-000](#) [MTPSRBCL-C](#) [1954015-1](#) [200W531-3-0](#) [202A163-4-0-CS5067](#) [202A343-3-00-0](#) [202B221-13-0](#) [202B231-13-0](#) [202B563-25-07-0](#)