

Thermofit[®] Molded Parts Specification Control Drawing

Part Number : 202S121 thru 174-XXS
Description : Boot, Straight, with Lip, Shielded

NOTES

- All dimensions are in $\frac{\text{inches}}{\text{[millimeters]}}$
- Dimensions appearing in table are as follows:
 - a - As Supplied
 - b - After Unrestricted Recovery

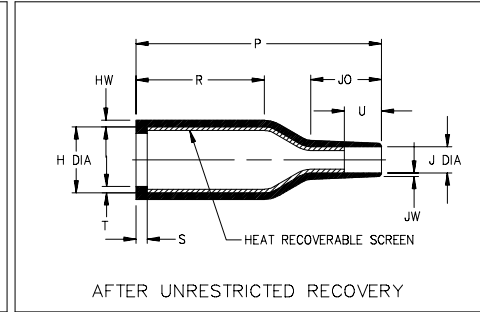
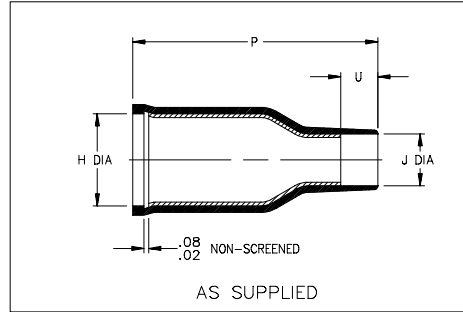


TABLE OF DIMENSIONS

PART NUMBER	H		J		P		R Ref b	S Ref b	T Ref b	U		JO Ref b	HW ±30% b	JW ±30% b
	Min	Max	Min	Max	±5%	±10%				Min	±20%			
	a	b	a	b	a	b				a	b			
202S121-XXS	.79 [20,0]	.41 [10,4]	.43 [11,0]	.20 [5,0]	1.77 [45,0]	1.77 [45,0]	.67 [17,0]	.12 [3,0]	.04 [1,0]	.24 [6,0]	.39 [10,0]	.59 [15,0]	.08 [2,0]	.04 [1,0]
202S132-XXS	.94 [24,0]	.56 [14,2]	.59 [15,0]	.24 [6,0]	2.36 [60,0]	2.36 [60,0]	1.10 [28,0]	.12 [3,0]	.04 [1,0]	.24 [6,0]	.39 [10,0]	.67 [17,0]	.08 [2,0]	.04 [1,0]
202S142-XXS	1.22 [31,0]	.71 [18,0]	.71 [18,0]	.28 [7,2]	2.83 [72,0]	2.83 [72,0]	1.26 [32,0]	.12 [3,0]	.04 [1,0]	.24 [6,0]	.39 [10,0]	.79 [20,0]	.08 [2,0]	.04 [1,0]
202S152-XXS	1.42 [36,0]	.88 [22,4]	.87 [22,0]	.33 [8,5]	3.35 [85,0]	3.35 [85,0]	1.22 [31,0]	.12 [3,0]	.04 [1,0]	.35 [9,0]	.59 [15,0]	.98 [25,0]	.08 [2,0]	.04 [1,0]
202S163-XXS	1.69 [43,0]	1.11 [28,2]	1.02 [26,0]	.39 [10,0]	4.33 [110,0]	4.33 [110,0]	1.97 [50,0]	.12 [3,0]	.07 [1,7]	.47 [12,0]	.79 [20,0]	1.18 [30,0]	.09 [2,2]	.05 [1,2]
202S174-XXS	1.85 [47,0]	1.38 [35,1]	1.42 [36,0]	.62 [15,8]	5.20 [132,0]	5.32 [135,0]	2.76 [70,0]	.12 [3,0]	.07 [1,7]	.47 [12,0]	.79 [20,0]	1.18 [30,0]	.12 [3,0]	.06 [1,5]



RAYCHEM CORPORATION
300 CONSTITUTION DRIVE
MENLO PARK, CALIFORNIA 94025
(415) 361-6055

Revision : D
Date : 7/23/92

Part Number : 202S121 thru 174-XXS
Description : Boot, Straight, with Lip, Shielded

Thermofit[®] Molded Parts Specification Control Drawing

Part Number : 202S121 thru 174-XXS
Description : Boot, Straight, with Lip, Shielded

MATERIAL DASH NO.	MATERIAL DESCRIPTION	RT SPEC	COATING SLASH NO.	COATING S NO.	COATING DESCRIPTION
-3S	Polyolefin/Copper Composite	RT-1370			
-25S	Elastomer/Copper Composite	RT-1371			

ORDERING INFORMATION

202S1XX -XXS -XX /XXX

Base part number _____

Material dash number _____
(See Compatability Chart)

Modification number _____
(If necessary, see front of scd binder for a complete list)

Adhesive slash number _____
(If necessary, see Compatability Chart)

THIS DRAWING IS SUBJECT TO CHANGE WITHOUT NOTICE; CONSULT YOUR NEAREST FIELD REPRESENTATIVE FOR CURRENT REVISION



RAYCHEM CORPORATION
300 CONSTITUTION DRIVE
MENLO PARK, CALIFORNIA 94025
(415) 361-6055

Revision : D
Date : 7/23/92

Part Number : 202S121 thru 174-XXS
Description : Boot, Straight, with Lip, Shielded

CAD FILE MP92349

X-ON Electronics

Largest Supplier of Electrical and Electronic Components

Click to view similar products for [Cable Boots](#) category:

Click to view products by [TE Connectivity](#) manufacturer:

Other Similar products are found below :

[618235-000](#) [622A014-3-0](#) [CX4132-000](#) [879103-4](#) [879515-000](#) [889092](#) [982033-2](#) [R280576000](#) [1300830729](#) [MTPSRBCL-C](#) [1811481-1](#)
[200W531-3-0](#) [202A121-386-0](#) [202A142-4-00/42-0](#) [202A163-4-0-CS5067](#) [202B221-13-0](#) [202B231-13-0](#) [202B563-25-07-0](#)
[202C621710CS5361](#) [202D132-4-07/42-0](#) [202D221-4-0-CS5349](#) [202D221-4-26-0](#) [202D263-25-08-0](#) [202D263-4-22/42-0](#) [202D263-4-88-0](#)
[202D921-2542-0](#) [202E336-71-0](#) [202F211-50-22-0-CS8474](#) [202F242-50-05-0](#) [202F242-51-04/164-0](#) [202K121-25-CS-1858-0](#) [202K121-25-](#)
[CS-2062-0](#) [202K132-25-01/225-0CS8387](#) [202K153-3-0186-0](#) [202S132-25-UP-0](#) [203W301-3/42-0](#) [207W613-100/184-0-CS5657](#) [207W623-](#)
[100-01/184-0](#) [207W634-100/184-0-CS5657](#) [207W656-100-01/184-0](#) [207W667-100-01/184-0](#) [207W667-100/184-0](#) [208A011-3-0](#) [208A021-3-](#)
[0](#) [221A011-51164-0-CS7133](#) [222A121-2586](#) [222A152-342-0](#) [222A213-25-0-CS5613](#) [222D221-25-13/86-0](#) [222D232-4-61-0-CS5078](#)