



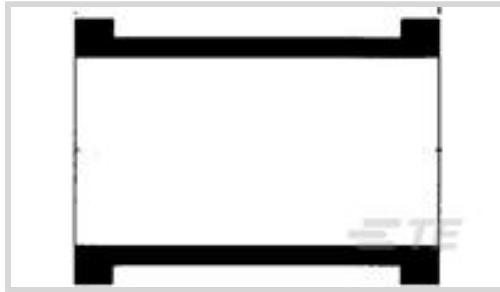
Raychem

TE Internal #: 307569-000

Bushings & Bobbins, Molded Part, 200, Black, Heat Shrink
 Component Accessory Width 25 mm [.98 in], Bobbins, Modified
 Fluoro-Elastomer, Flexible

[View on TE.com >](#)

Wire Protection & Management > Heat Shrink Molded Shapes > Bushings & Bobbins



Heat Shrink Component Product Type: **Molded Part**

Heat Shrink Component Accessory Material Systems Code: **200**

Heat Shrink Component Accessory Color: **Black**

Heat Shrink Component Accessory Width: **25 mm [.98 in]**

Molded Part Type: **Bobbins**

Features

Product Type Features

Size Code	02
Heat Shrink Component Product Type	Molded Part
Molded Part Type	Bobbins

Body Features

Material Code	12
Heat Shrink Component Accessory Material Systems Code	200
Heat Shrink Component Accessory Color	Black
Heat Shrink Component Accessory Material	Modified Fluoro-Elastomer
Pliancy	Flexible
Adhesive Pre-Coat	No

Dimensions

Heat Shrink Component Accessory Width	25 mm [.98 in]
Heat Shrink Component Accessory Expanded Inside Diameter (Min)	29 mm [1.14 in]
Heat Shrink Component Accessory Recovered Inside Diameter (Max)	9.5 mm [.37 in]

Usage Conditions

Operating Temperature Range	-55 – 200 °C
-----------------------------	--------------

Industry Standards



Government Qualified	No
----------------------	----

Other

Adhesive Code	S1255-04
---------------	----------

Heat Shrink Component Adhesive Type	Adhesive Purchased Separately
-------------------------------------	-------------------------------

Product Compliance

[For compliance documentation, visit the product page on TE.com>](#)

EU RoHS Directive 2011/65/EU	Compliant
------------------------------	-----------

EU ELV Directive 2000/53/EC	Compliant
-----------------------------	-----------

China RoHS 2 Directive MIIT Order No 32, 2016	No Restricted Materials Above Threshold
---	---

EU REACH Regulation (EC) No. 1907/2006	Current ECHA Candidate List: JAN 2021 (211) Candidate List Declared Against: JAN 2021 (211) Does not contain REACH SVHC
--	---

Halogen Content	Low Bromine/Chlorine - Br and Cl < 900 ppm per homogenous material. Also BFR /CFR/PVC Free
-----------------	--

Solder Process Capability	Not applicable for solder process capability
---------------------------	--

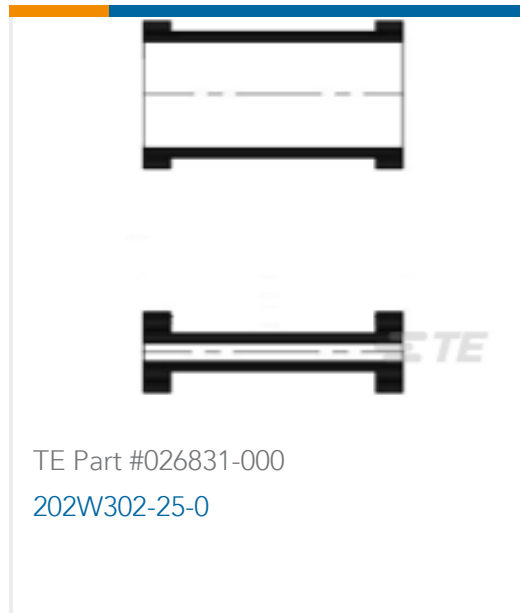
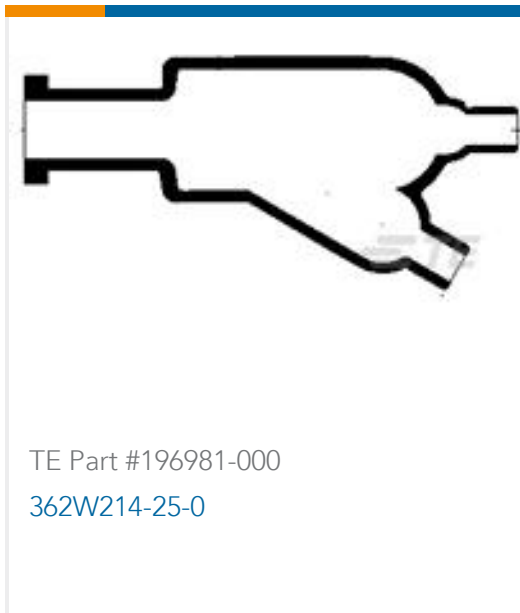
Product Compliance Disclaimer

This information is provided based on reasonable inquiry of our suppliers and represents our current actual knowledge based on the information they provided. This information is subject to change. The part numbers that TE has identified as EU RoHS compliant have a maximum concentration of 0.1% by weight in homogenous materials for lead, hexavalent chromium, mercury, PBB, PBDE, DBP, BBP, DEHP, DIBP, and 0.01% for cadmium, or qualify for an exemption to these limits as defined in the Annexes of Directive 2011/65/EU (RoHS2). Finished electrical and electronic equipment products will be CE marked as required by Directive 2011/65/EU. Components may not be CE marked. Additionally, the part numbers that TE has identified as EU ELV compliant have a maximum concentration of 0.1% by weight in homogenous materials for lead, hexavalent chromium, and mercury, and 0.01% for cadmium, or qualify for an exemption to these limits as defined in the Annexes of Directive 2000/53/EC (ELV). Regarding the REACH Regulation, the information TE provides on SVHC in articles for this part number is based on the latest European Chemicals Agency (ECHA) 'Guidance on requirements for substances in articles' posted at this URL: <https://echa.europa.eu/guidance-documents/guidance-on-reach>

Compatible Parts



Customers Also Bought



Documents

Product Drawings

[202W302-12-0](#)

English

Datasheets & Catalog Pages

[1654025_Sec4_-12](#)

English

Raychem Molded Parts Visual Guide

English

Product Environmental Compliance

[Safety Datasheet](#)

[Safety Datasheet](#)

English

[Safety Datasheet](#)

French

[Safety Datasheet](#)

German

[Safety Datasheet](#)

[Safety Datasheet](#)

[Safety Datasheet](#)

X-ON Electronics

Largest Supplier of Electrical and Electronic Components

Click to view similar products for [Heat Shrink Cable Boots & End Caps](#) category:

Click to view products by [TE Connectivity](#) manufacturer:

Other Similar products are found below :

[577159N001](#) [645494-000](#) [CX4132-000](#) [687025-000](#) [705331-000](#) [718446-000](#) [725666N001](#) [729257-000](#) [F27131-000](#) [F85868-000](#) [770-003S106W2](#) [770-013210W1](#) [770-013311](#) [770-013312](#) [806542N001](#) [807507-000](#) [808362-000](#) [808618-000](#) [809125-000](#) [809130-000](#) [809218-000](#) [812014-000](#) [812047-000](#) [813166-000](#) [813767N002](#) [814741-000](#) [819117N001](#) [823026-000](#) [823070-000](#) [841189N001](#) [861471-000](#) [866647-000](#) [879515-000](#) [937577-000](#) [957073-000](#) [982033-2](#) [A77813-000](#) [R280576000](#) [D96192-000](#) [163549-000](#) [EN3BOOTLKIT](#) [MTPSRBCL-C](#) [1954015-1](#) [200W531-3-0](#) [202A163-4-0-CS5067](#) [202A343-3-00-0](#) [202B221-13-0](#) [202B231-13-0](#) [202B563-25-07-0](#) [202C241-13-0](#)