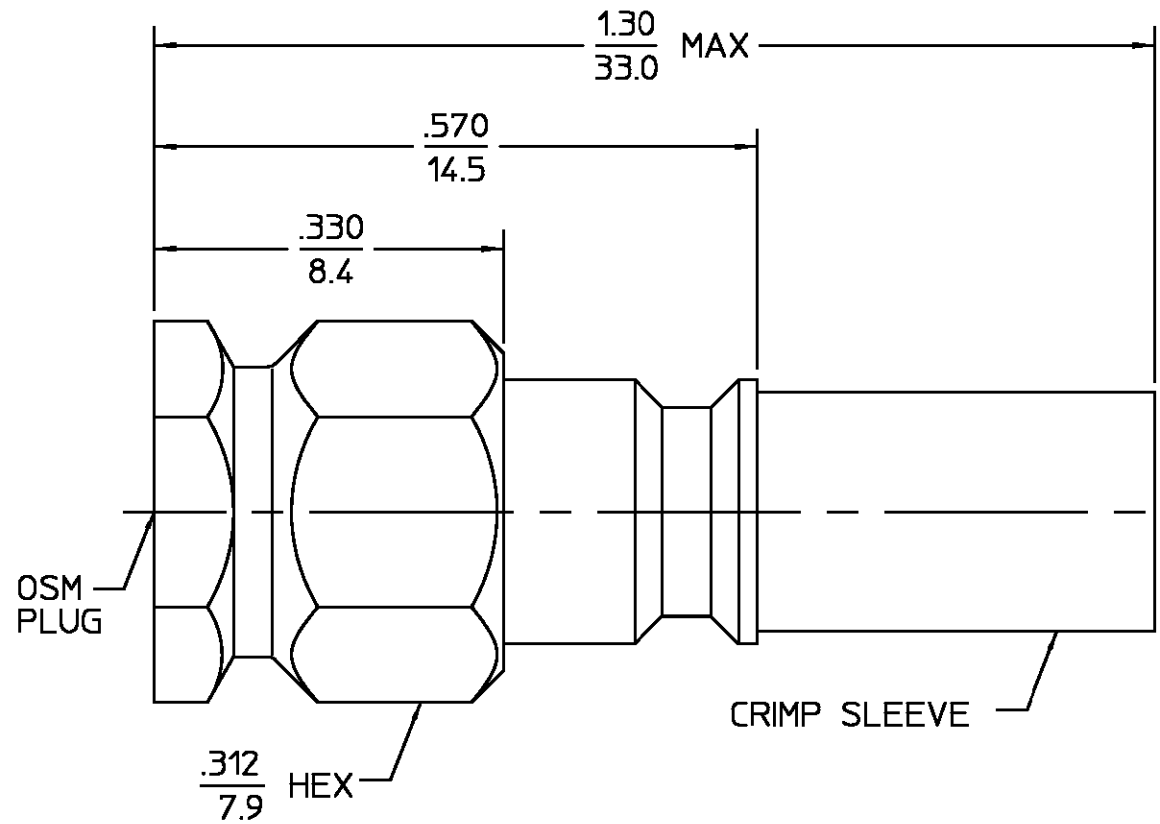


|                       |                       |
|-----------------------|-----------------------|
| DESIGNED FOR USE WITH | RG142/U OR EQUIVALENT |
| CABLE ENTRY DIAMETER  | MINIMUM               |
| CONTACT               | .040                  |
| HOUSING               | .121                  |
| FERRULE               | .216                  |

| REVISIONS       |             |        |           |
|-----------------|-------------|--------|-----------|
| REV             | DESCRIPTION | DATE   | APPROVED  |
| 01 <sub>0</sub> | RELEASED    | 7/7/94 | <i>PA</i> |



| COMPONENT            | MATERIAL   | FINISH                     |
|----------------------|--|----------------------------|
| COUPLING NUT HOUSING | STAINLESS STEEL PER ASTM-A484 AND ASTM-A582, TYPE 303      | PASSIVATE PER ASTM-A380    |
| DIELECTRIC           | TFE FLUOROCARBON PER ASTM-D-1457                           | N/A                        |
| CENTER CONTACT       | BERYLLIUM COPPER PER ASTM B 196, ALLOY C17300, CONDITION H | GOLD PLATE PER MIL-G-45204 |
| RETAINING RING       | BERYLLIUM COPPER PER ASTM B 194, ALLOY C17200, CONDITION H | N/A                        |
| GASKET               | SILICONE RUBBER PER ZZ-R-765                               | N/A                        |
| FERRULE              | COPPER OR BRASS ALLOY ROCKWELL F65 MAXIMUM                 | GOLD PLATE PER MIL-G-45204 |

| ELECTRICAL  | MECHANICAL   | ENVIRONMENTAL   |
|---|--|---|
| Nominal Impedance (Ohms) <u>50</u>                                  | Interface Dimensions MIL-STD-348A, Fig. <u>310.1</u>   | Temperature Rating <u>-65°C to +165°C</u>                                   |
| Frequency Range (GHz) DC to <u>12.4</u>                             | Recommended Mating Torque <u>7 - 10 in-lbs</u>         | Vibration MIL-STD-202, Method 204, Condition D.                             |
| Volt Rating (VRMS MAX) @ Sea Level <u>335</u>                       | Mating Characteristics: Insertion (MAX Lbs) <u>N/A</u> | Shock MIL-STD-202, Method 213, Condition I.                                 |
| VSWR <u>1.15 + .01 f(GHz)</u>                                       | Withdrawal (MIN Oz) <u>N/A</u>                         | Thermal Shock MIL-STD-202, Method 107, Condition B, Except High Temp +200°C |
| Insertion Loss (dB MAX) <u>.06 √f(GHz)</u>                          | Force to Engage and Disengage (In-Lbs MAX) <u>2.0</u>  | Moisture Resistance MIL-STD-202, Method 106                                 |
| RF Leakage (dB MIN) <u>-60 @ 2-3 GHz</u>                            | Center Contact Captivation Axial (Lbs) <u>6.0</u>      | Corrosion - MIL-STD-202, Method 101, Condition B, 5% salt spray             |
| Corona, 70,000 Ft (VRMS MIN) <u>250</u>                             | Cable Retention Axial Force (Lbs MIN) <u>40</u>        |   |
| Dielectric Withstanding Voltage (VRMS MIN) @ Sea Level <u>1,000</u> | Torque (In-Oz) <u>N/A</u>                              |   |
| Contact Resistance (Milliohms MAX) Center Contact <u>3.0</u>        | Weight (Grams) <u>TBD</u>                              |   |
| Outer Contact <u>2.0</u>  |  |   |
| Cable to Housing <u>0.5</u>   |  |   |
| RF High Potential @ Sea Level (VRMS MIN @ 5 MHz) <u>670</u>         |  |   |
| I.R.(Megohms MIN) <u>5,000</u>                                      |  |   |

UNLESS OTHERWISE SPECIFIED DIMENSIONS ARE IN INCHES TOLERANCE ON

|        |       |        |
|--------|-------|--------|
| FRAC.  | DEC.  | ANGLES |
| ± 1/64 | ±.005 | ± °    |

These drawings and specifications are the property of Omni Spectra Incorporated and shall not be reproduced or copied or used in whole or in part as the basis for the manufacture or sale of item(s) without written permission.

DRAWN BY *PA* DATE 7/7/94  
 CHECKED BY *PA*  
 APP'D BY *PA* DATE 7/7/94

USE ASS'Y PROCEDURE

NO. AP. 408-04935 (20-514)

AMP Incorporated  
 140 Fourth Avenue  
 Waltham, MA 02451-7599

**AMP**

TITLE OSM STRAIGHT CABLE PLUG CRIMP ATTACHMENT M39012/55-3028 CAT. C

|        |                      |              |                     |
|--------|----------------------|--------------|---------------------|
| SIZE B | CODE IDENT NO. 26805 | 2031-8028-92 | REV 01 <sub>0</sub> |
|--------|----------------------|--------------|---------------------|

SCALE 10 : 1 SHEET 1 OF 1

.XXX = in  
 XX.X = mm

## X-ON Electronics

Largest Supplier of Electrical and Electronic Components

*Click to view similar products for [RF Connectors / Coaxial Connectors](#) category:*

*Click to view products by [TE Connectivity](#) manufacturer:*

Other Similar products are found below :

[8915-1511-000](#) [89674-0827](#) [6001-7071-019](#) [6002-7051-003](#) [6002-7551-202](#) [6059674-1](#) [619550-1](#) [630059-000](#) [M39030/3-01N](#) [6500-7071-046](#) [6769](#) [CX050L2AQ](#) [7002-1541-010](#) [7002-1542-011](#) [7004-1512-000](#) [7009-1511-004](#) [7010-1511-000](#) [7029-1511-060](#) [7101-1541-010](#) [7101-1571-002](#) [7145-1521-002](#) [7203-1571-003](#) [7209-1511-011](#) [7210-1511-015](#) [7210-1511-019](#) [73137-5015](#) [73216-2241](#) [73404-2300](#) [7405-1521-005](#) [7405-1521-802](#) [8527](#) [8547](#) [FS11V](#) [877931](#) [8808-1511-001](#) [9074-9513-000](#) [9101-9573-002](#) [910A205F](#) [9130-9573-002](#) [PL11SC-026](#) [PL375-33](#) [PL40-5](#) [PL74C-221](#) [PL75MC-217](#) [PL803-7](#) [1200690078](#) [1-201144-1](#) [R107003010W](#) [R110A172100](#) [R112186000](#)