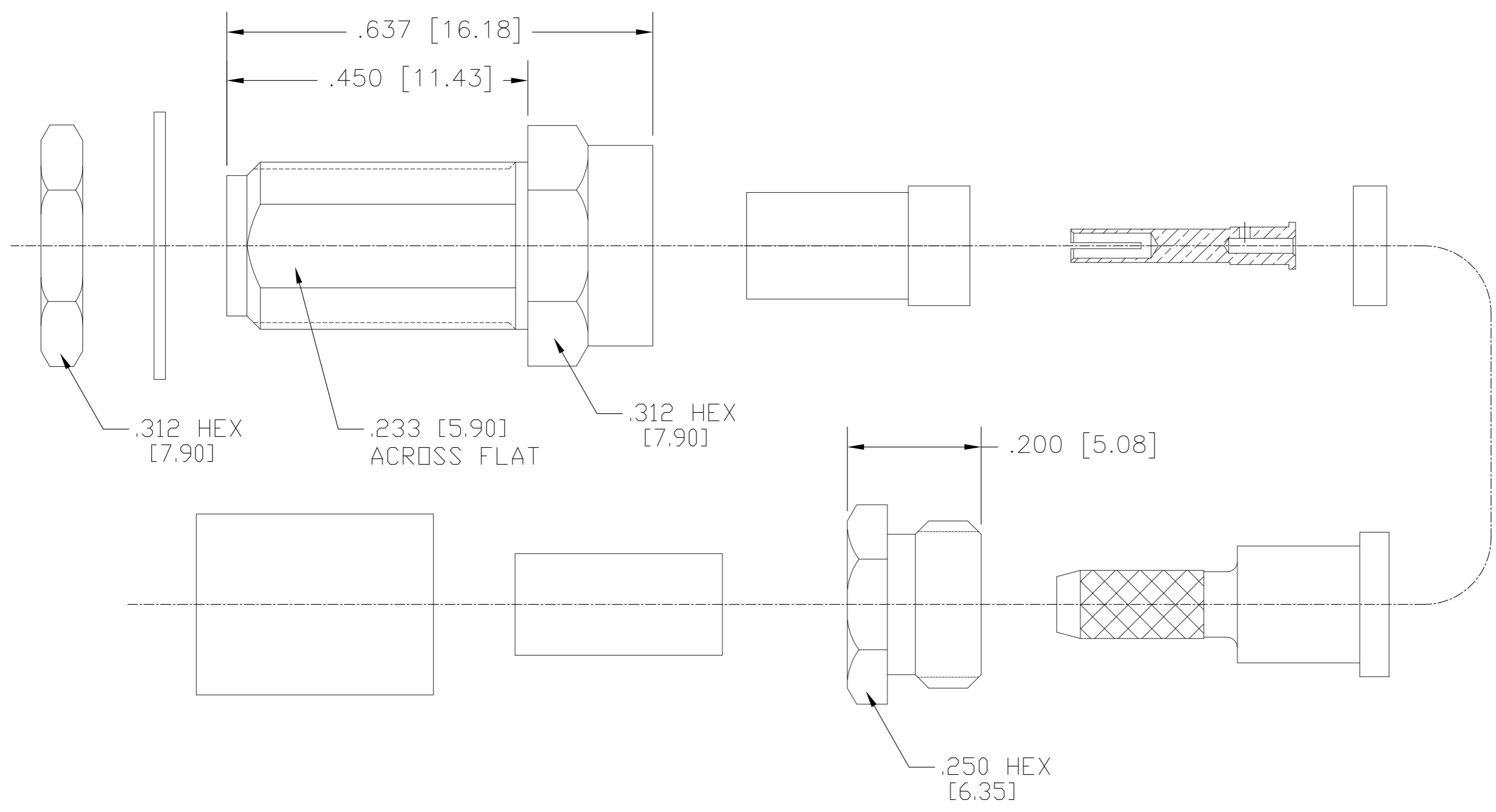


THIS DRAWING IS UNPUBLISHED. RELEASED FOR PUBLICATION
 © COPYRIGHT BY TYCO ELECTRONICS CORPORATION. ALL RIGHTS RESERVED.

LOC	DIST	REVISIONS					
AJ	00	P	LTR	DESCRIPTION	DATE	DWN	APVD
		C		REV PER ECO-09-027745	17DEC2009	AM	BOB



NOTES:
 1. DESIGNED FOR RG174/U,179,187,188,316 CABLE

- ① BRASS
- ② STAINLESS STEEL
- ③ BERYLLIUM COPPER
- ④ PHOSPHOR BRONZE
- ⑤ PTFE
- ⑥ SILICONE RUBBER
- ⑦ GOLD PLATE
- ⑧ NICKEL PLATE
- ⑨ PASSIVATE
- ⑩ POLYOLEFIN COMPOUND

ELECTRICAL	MECHANICAL	ENVIRONMENTAL
Nominal Impedance (Ohms) <u>50</u>	Interface Dimensions MIL-STD-348A, Fig. 310.1	TEMPERATURE RATING -40° TO +95° DURABILITY:500 CYCLES
Frequency Range (GHz) DC to 6	Recommended Mating Torque <u>7-10 In-Lbs</u>	
Volt Rating (VRMS MAX) @ Sea Level <u>250</u>	Mating Characteristics:	$\frac{.XXX}{X.XX} = \frac{\text{in}}{\text{mm}}$
VSWR <u>1.18 + .02f(GHz)</u>	Insertion (MAX Lbs) N/A	
Insertion Loss (dB MAX) <u>.07 √f GHz</u>	Withdrawal (MIN Oz) N/A	
Dielectric Withstanding Voltage (VRMS MIN) @ Sea Level <u>750</u>	Force to Engage and Disengage (In-Lbs MAX) <u>2</u>	
Contact Resistance (Milliohms MAX) Center Contact <u>5.0</u> Outer Contact <u>3.0</u> Cable to Housing <u>0.5</u>	Center Contact Captivation Axial (Lbs) <u>6 Min</u> Radial (In-Oz) N/A	
RF High Potential @ Sea Level (VRMS MIN @ 5 MHz) <u>500</u>	Cable Retention Axial Force (Lbs) <u>20 MIN</u> Torque (In-Oz) N/A	
I.R.(Megohms MIN) <u>5,000</u>	Weight (Grams) <u>TBD</u>	

---	① ⑧	① ⑧	③ ⑦	⑤	⑥	① ⑧	④ ⑧	① ⑧	1051933-3
⑩	① ⑦	② ⑦	③ ⑦	⑤	⑥	② ⑦	④ ⑦	② ⑦	1051933-1
SHRINK TUBING	FERRULE	CLAMP NUT	CENTER CONTACT	DIELE-CTRIC	GASKET	HOUSING & SLEEVE	LOCK WASHER	MOUNTING NUT	TE PN.

THIS DRAWING IS A CONTROLLED DOCUMENT.

DWN ANSON MA 2Jul09	Tyco Electronics Corporation Kunshan, Jiangsu, RPC 215312				
CHK RITA ZUO 2Jul09					
APVD BOB_ZHAO 2Jul09					
PRODUCT SPEC 108-112002					
APPLICATION SPEC 408-4804	NAME SMA STRAIGHT CABLE JACK CLAMP ATTACHMENT				
MATERIAL -	FINISH -	SIZE A2	CAGE CODE 00779	DRAWING NO C=1051933	RESTRICTED TO -
CUSTOMER DRAWING		SCALE 5:1	SHEET 1 of 1	REV C	

1051933

X-ON Electronics

Largest Supplier of Electrical and Electronic Components

Click to view similar products for [RF Connectors](#) / [Coaxial Connectors](#) category:

Click to view products by [TE Connectivity](#) manufacturer:

Other Similar products are found below :

[8915-1511-000](#) [89674-0827](#) [6001-7071-019](#) [6002-7051-003](#) [6002-7551-202](#) [6059674-1](#) [619550-1](#) [630059-000](#) [M39030/3-01N](#) [6500-7071-046](#) [6769](#) [CX050L2AQ](#) [7002-1541-010](#) [7002-1542-011](#) [7004-1512-000](#) [7009-1511-004](#) [7010-1511-000](#) [7029-1511-060](#) [7101-1541-010](#) [7101-1571-002](#) [7145-1521-002](#) [7203-1571-003](#) [7209-1511-011](#) [7210-1511-015](#) [7210-1511-019](#) [73137-5015](#) [73216-2241](#) [73404-2300](#) [7405-1521-005](#) [7405-1521-802](#) [8527](#) [8547](#) [FS11V](#) [877931](#) [8808-1511-001](#) [9074-9513-000](#) [9101-9573-002](#) [910A205F](#) [9130-9573-002](#) [PL11SC-026](#) [PL375-33](#) [PL40-5](#) [PL74C-221](#) [PL75MC-217](#) [PL803-7](#) [1200690078](#) [1-201144-1](#) [R107003010W](#) [R110A172100](#) [R112186000](#)