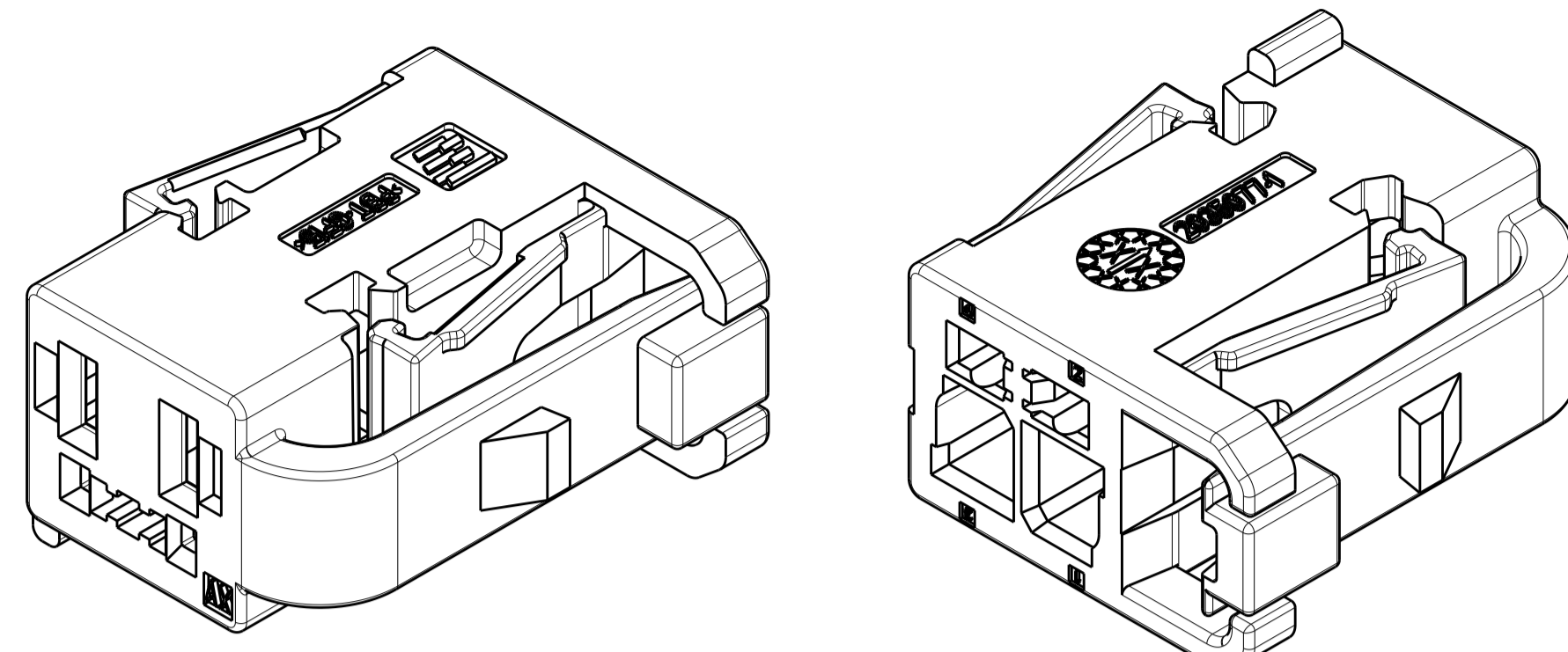
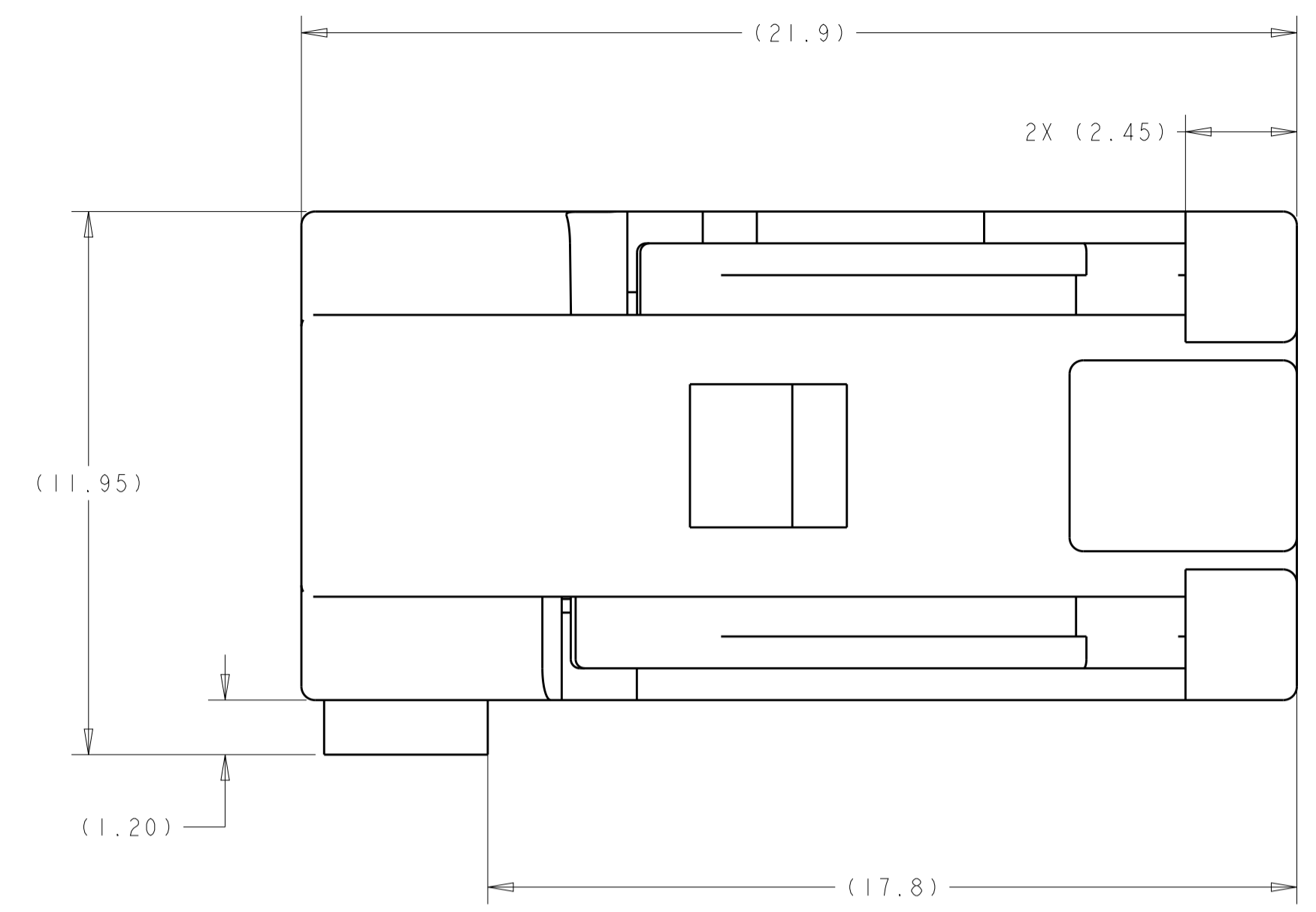


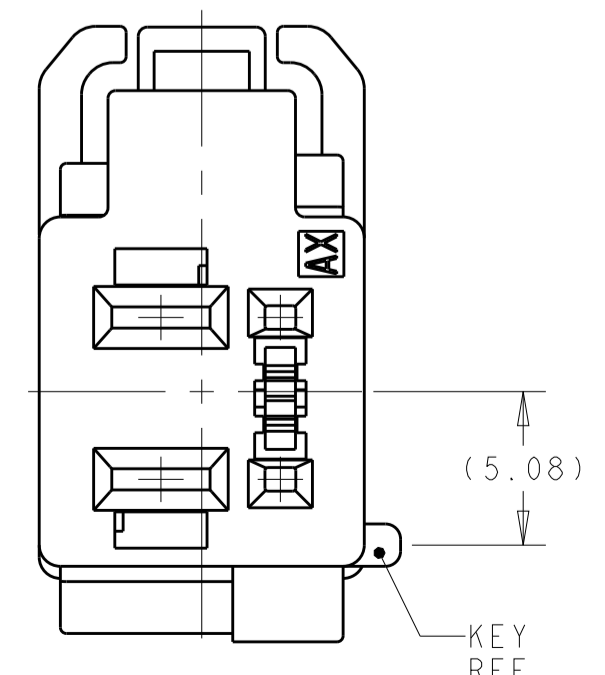
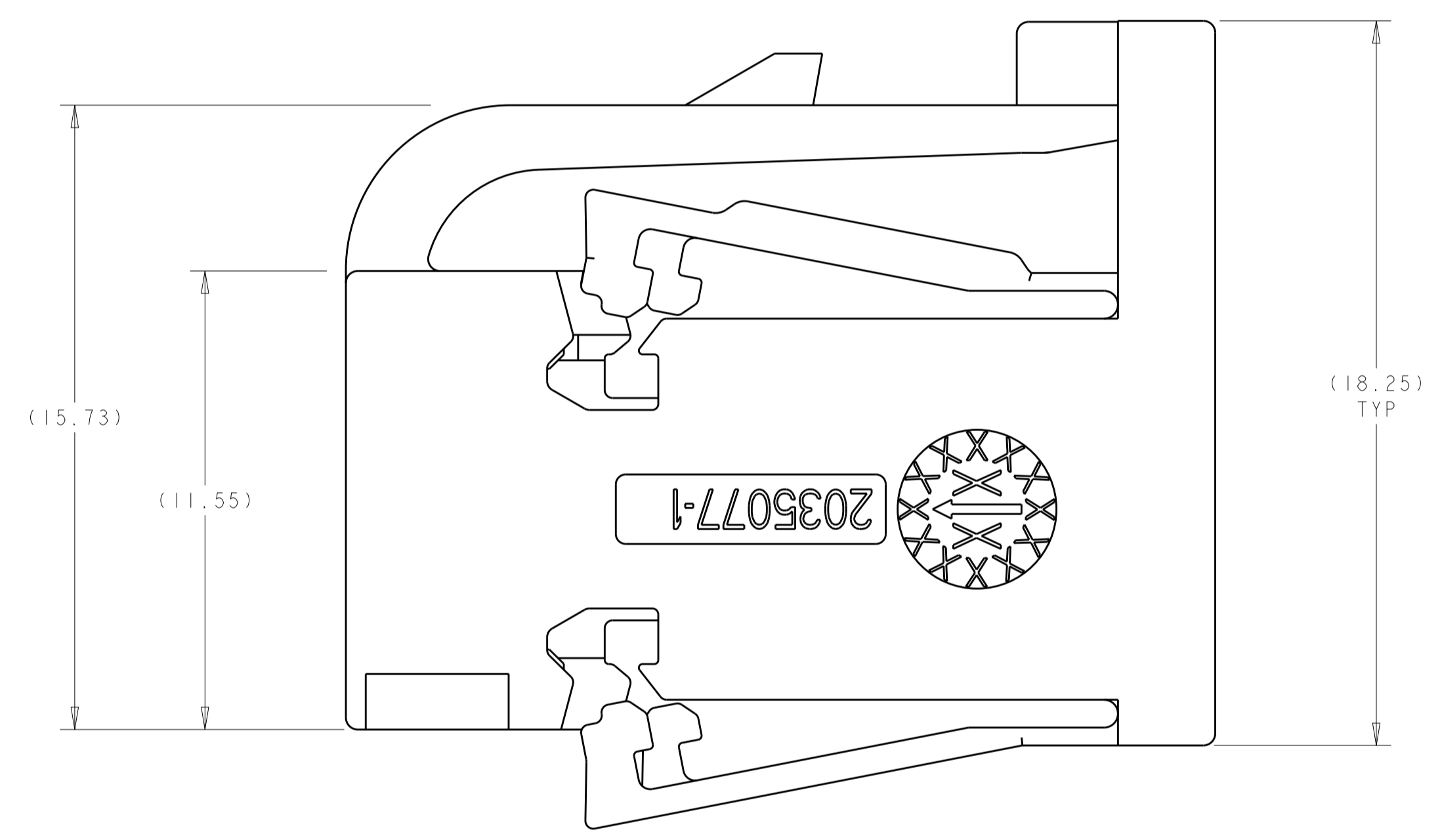
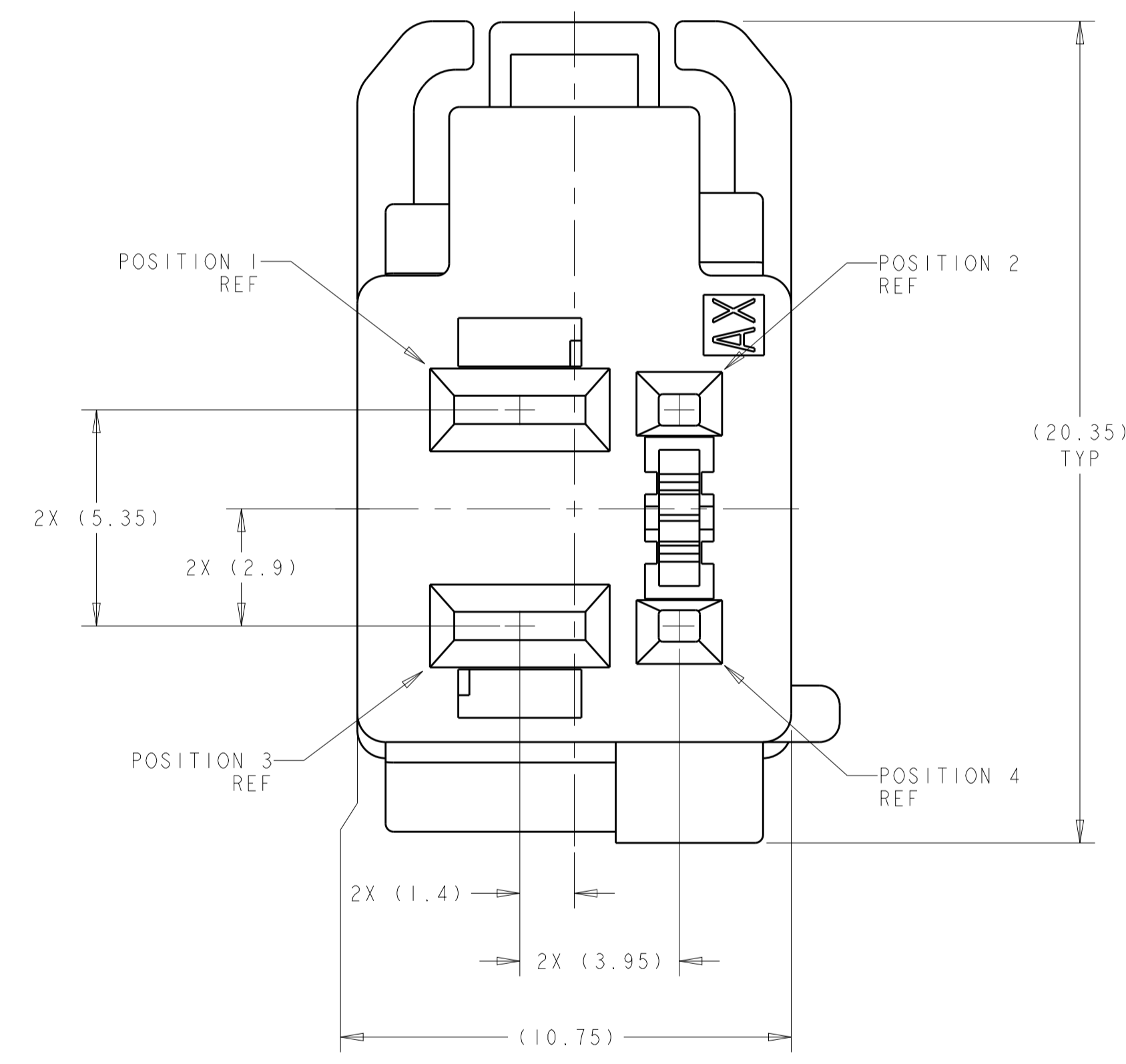
REVISIONS					
P.	LTN	DESCRIPTION	DATE	DMN	APVD
A		RELEASED PER ECO-11-007933	14APR2011	DLD	DLD
B		REVISED PER ECO-12-008641	10MAY2012	MBH	RH
B1		REVISED PER ECO-12-022332	27DEC2012	DLD	CJS
B2		REVISED PER ECO-20-009235	05AUG2020	JMS	CS



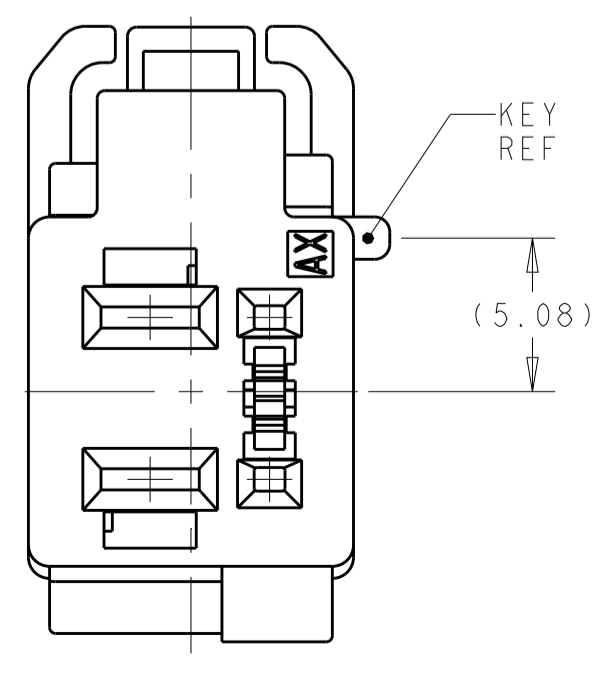
ISOMETRIC VIEWS
SCALE 4:1



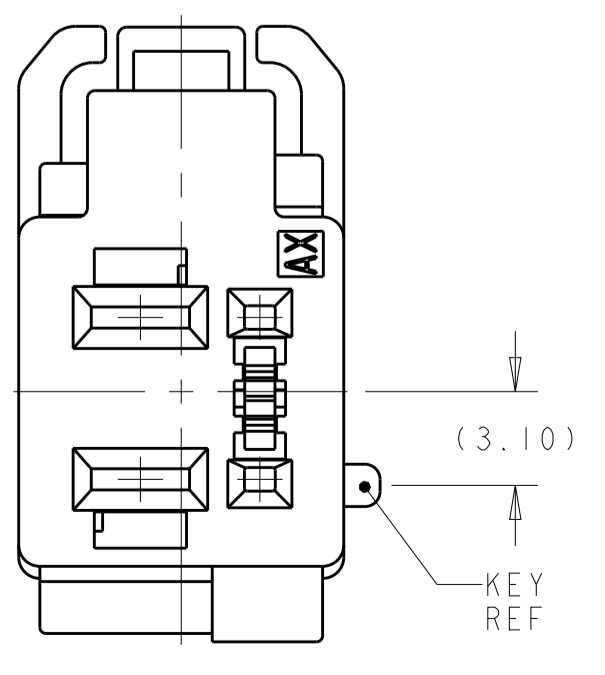
- △ POLYESTER PBT, 15% GLASS FILLED.
- 2. -PLUG HOUSING POSITIONS 1 AND 3 WILL ACCEPT TE MPO RECEPTACLE PART NUMBER 968074-2, 968075-2, 968678-2.
- PLUG HOUSING POSITIONS 2 AND 4 WILL ACCEPT TE FEMALE CONTACT PART NUMBER 1924955-X.
- 3. SEE 2035077-MXCU FOR INTERFACE DETAILS.
- △ PENDING OBSOLESCENCE. REPLACED BY THE 1-2035077-X VERSION. SEE SHEET 2



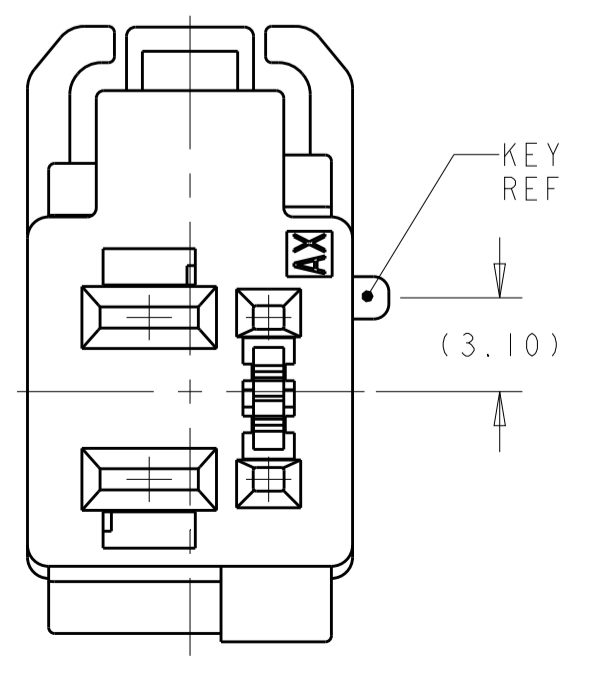
DETAIL F
SCALE 4:1



DETAIL A
SCALE 4:1



DETAIL E
SCALE 4:1

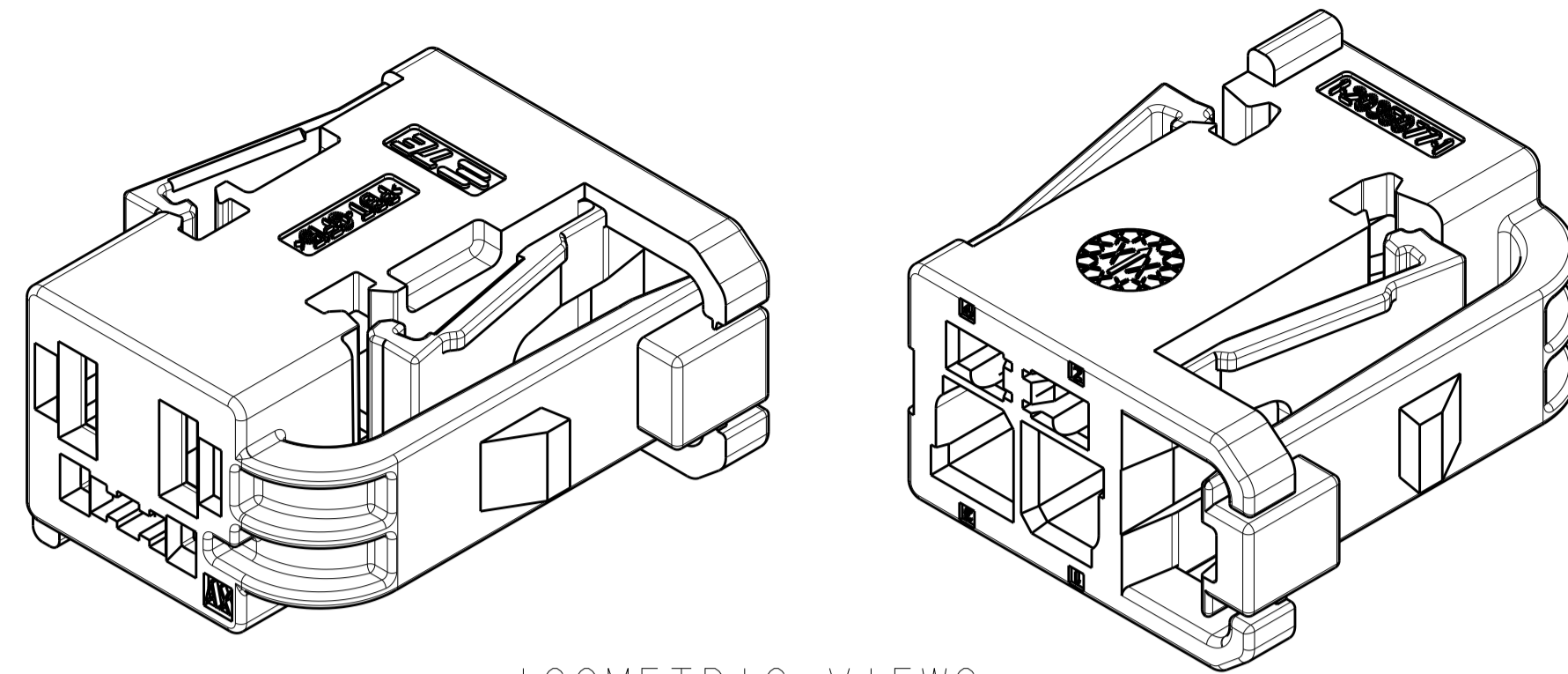


DETAIL B
SCALE 4:1

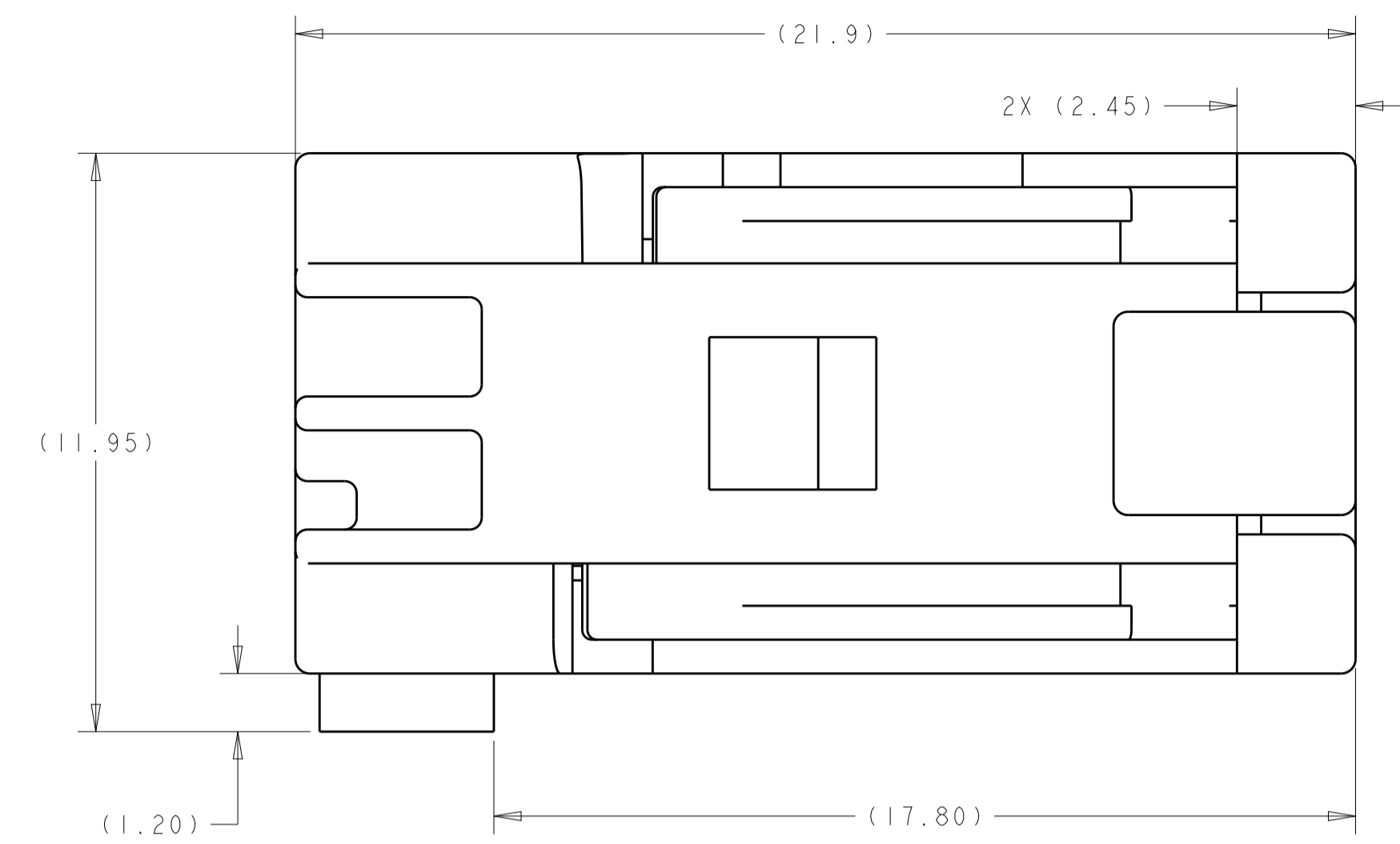
KEYING	KEY CODE	COLOR	PART NUMBER
△	B	BROWN	2035077-4
△	E	DARK GRAY	2035077-3
△	A	LIGHT GRAY	2035077-2
△	F	BLACK	2035077-1

THIS DRAWING IS A CONTROLLED DOCUMENT.		DMN: D.J. HARDY 18FEB2008	
DIMENSIONS: mm		CHK: R.D. HETRICK 07MAY2008	
TOLERANCES UNLESS OTHERWISE SPECIFIED:		APVD: R.D. HETRICK 07MAY2008	PLUG HOUSING, 4 POSITION (2x0.64mm - 2x2.8mm), UNSEALED, GENERATION Y/2.8 HYBRID
0 PLC ±		PRODUCT SPEC	
1 PLC ±		APPLICATION SPEC	SIZE: A 00779 C=2035077
2 PLC ±		WEIGHT	CUSTOMER DRAWING
3 PLC ±		FINISH	SCALE: 8:1
4 PLC ±		ANGLES	SHEET 1 OF 2
MATERIAL: △			REV: B2

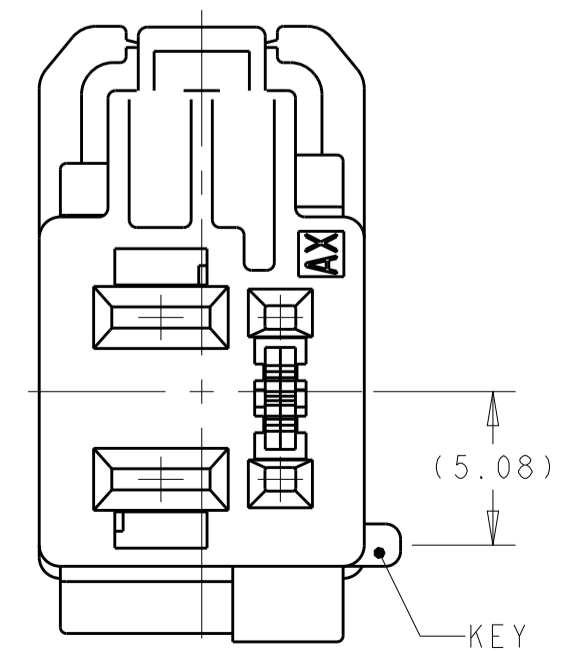
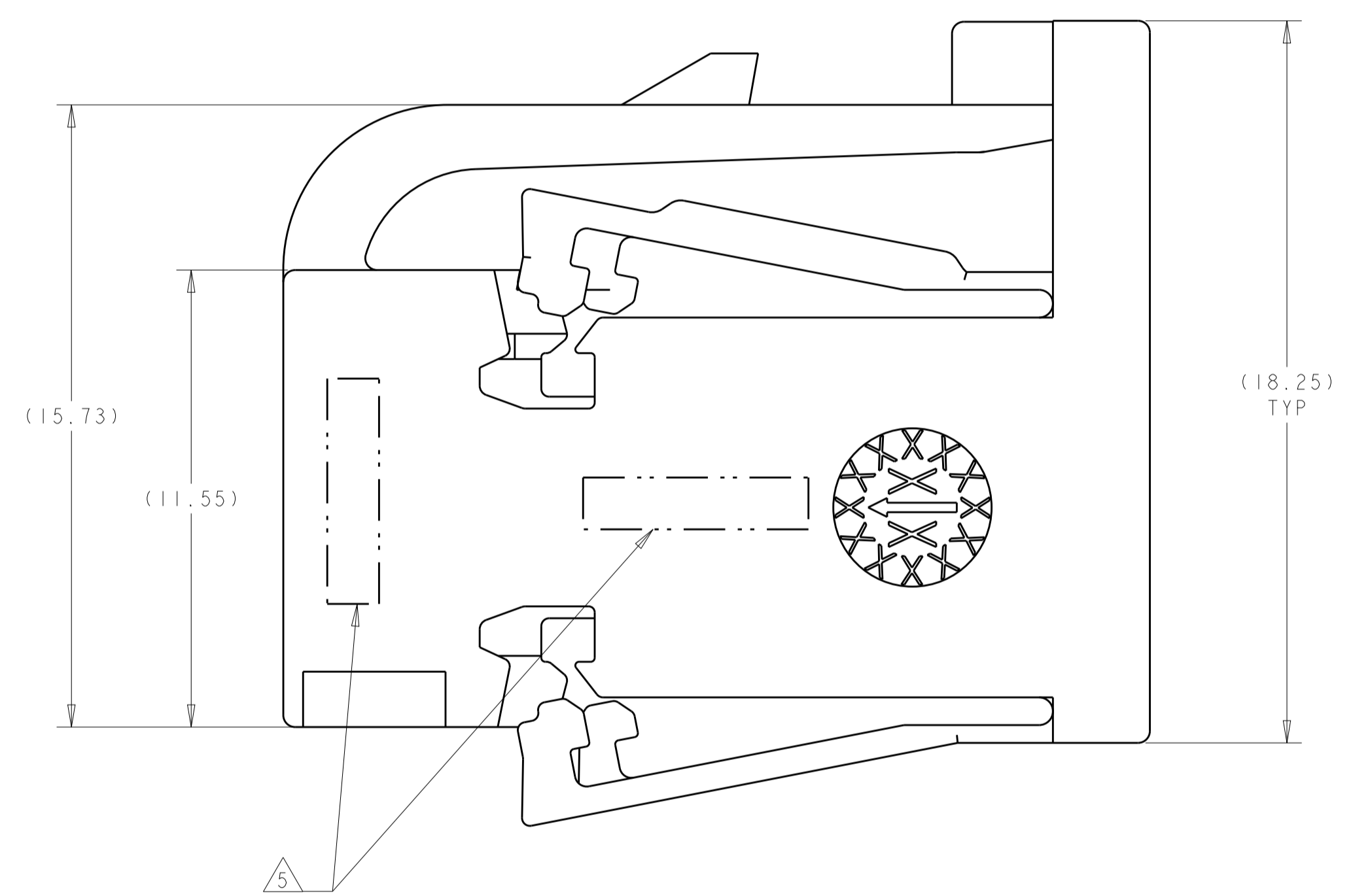
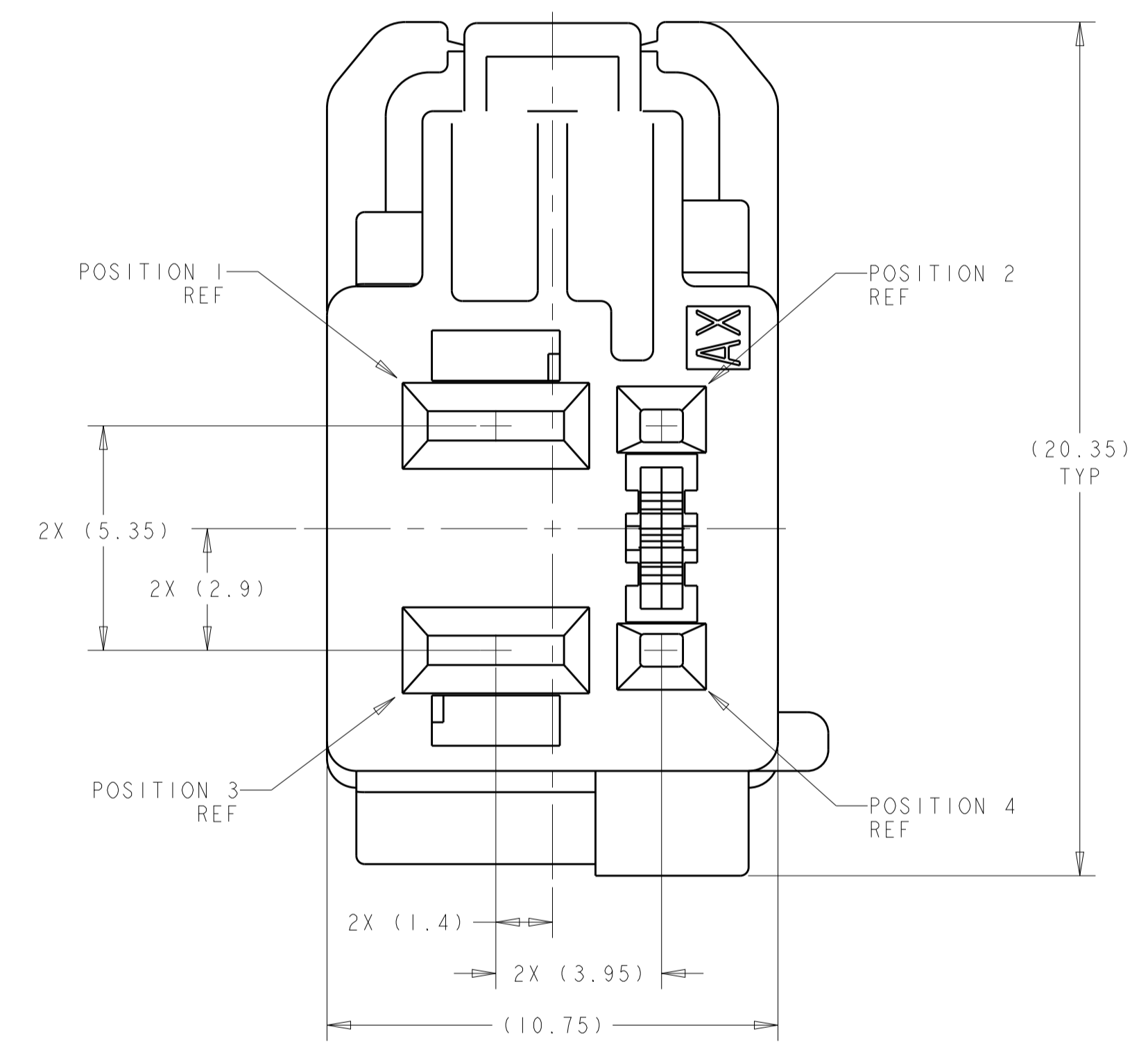
REVISIONS					
P.	LTN	DESCRIPTION	DATE	DWN	APVD
A		RELEASED PER ECO-11-007933	14APR2011	DLD	DLD
B		REVISED PER ECO-12-008641	10MAY2012	MBH	RH
B1		REVISED PER ECO-12-022332	27DEC2012	DLD	CJS
B2		REVISED PER ECO-20-009235	05AUG2020	JMS	CS



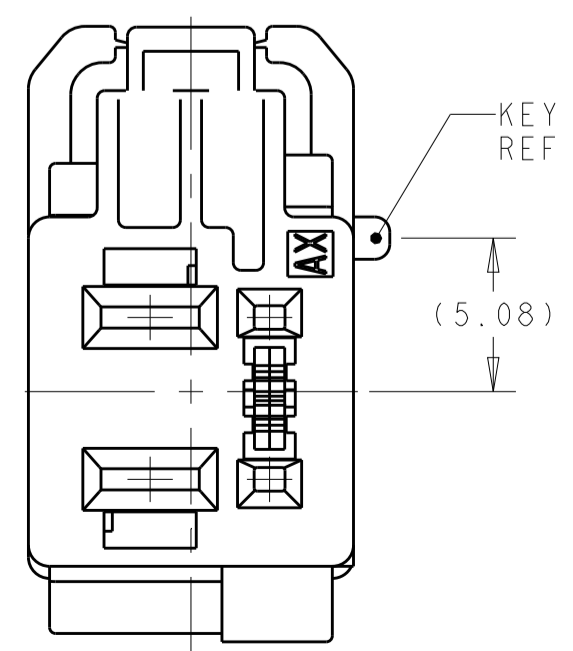
ISOMETRIC VIEWS
SCALE 4:1



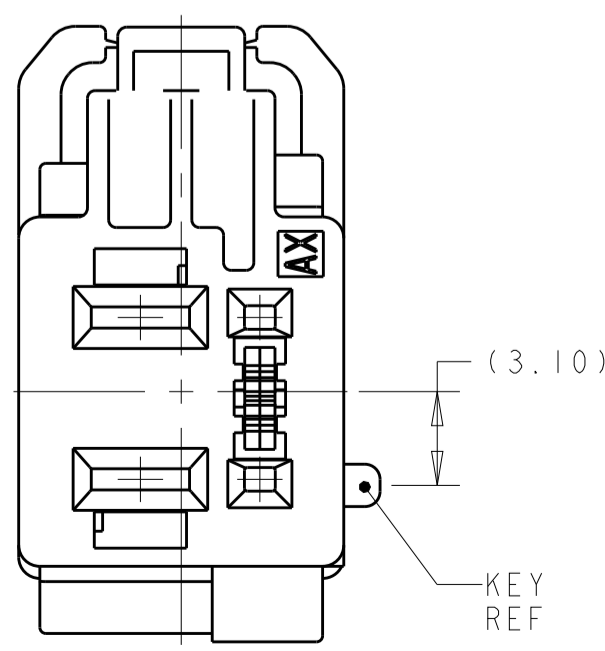
- △ POLYESTER PBT, 15% GLASS FILLED.
- 2. -PLUG HOUSING POSITIONS 1 AND 3 WILL ACCEPT TE MPQ RECEPTACLE PART NUMBER 968074-2, 968075-2, 968678-2.
- PLUG HOUSING POSITIONS 2 AND 4 WILL ACCEPT TE FEMALE CONTACT PART NUMBER 1924955-X.
- 3. SEE 2035077-MXCU FOR INTERFACE DETAILS.
- 4. PART NUMBER 1-2035077-1 SHOWN ON THIS SHEET.
- △ PART NUMBER MARKING IN THIS GENERAL AREA.



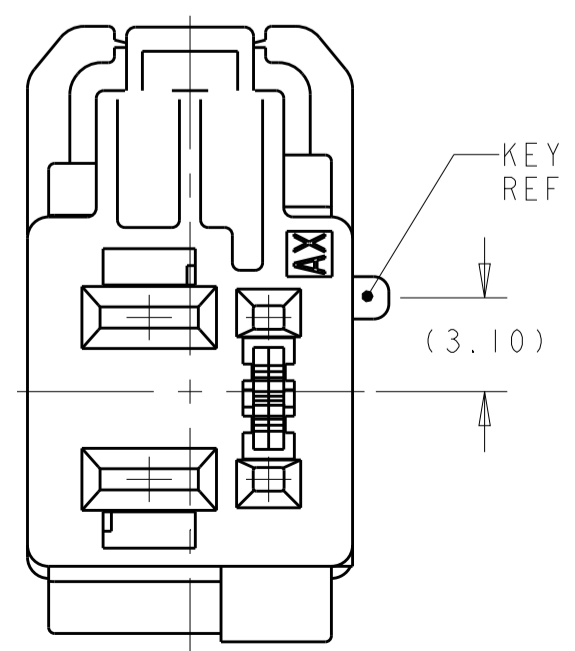
DETAIL F
SCALE 4:1



DETAIL A
SCALE 4:1



DETAIL E
SCALE 4:1



DETAIL B
SCALE 4:1

KEYING	KEY CODE	COLOR	PART NUMBER
PER DETAIL B	B	BROWN	1-2035077-4
PER DETAIL E	E	DARK GRAY	1-2035077-3
PER DETAIL A	A	LIGHT GRAY	1-2035077-2
PER DETAIL F	F	BLACK	1-2035077-1

THIS DRAWING IS A CONTROLLED DOCUMENT.		DWN: D.J. HARDY 18FEB2008	
DIMENSIONS: mm		CHK: R.D. HETRICK 07MAY2008	
TOLERANCES UNLESS OTHERWISE SPECIFIED:		APVD: R.D. HETRICK 07MAY2008	NAME: PLUG HOUSING, 4 POSITION (2x0.64mm - 2x2.8mm), UNSEALED, GENERATION Y/2.8 HYBRID SIZE: CAGE CODE DRAWING NO: A100779C=2035077 RESTRICTED TO:
0 PLC ± 1 PLC ± 2 PLC ± 3 PLC ± 4 PLC ± ANGLES ±		PRODUCT SPEC: APPLICATION SPEC: WEIGHT: CUSTOMER DRAWING	
MATERIAL: △		FINISH:	SCALE: 8:1 SHEET 2 OF 2 REV: B2

X-ON Electronics

Largest Supplier of Electrical and Electronic Components

Click to view similar products for [Automotive Connectors](#) category:

Click to view products by [TE Connectivity](#) manufacturer:

Other Similar products are found below :

[003-018-000](#) [60403001](#) [60993906-B](#) [M902-2131](#) [M902-2161](#) [72.330.1035.1](#) [73.353.4028.0](#) [F119300-B](#) [F166900](#) [F258300-B](#) [F358300-B](#)
[F407400](#) [F444110](#) [F487000](#) [F509500B-B](#) [827153-1](#) [8N1515-32-24P](#) [9-1326729-8](#) [925474-1](#) [928905-1](#) [964562-4](#) [968782-1](#) [GT17SA-8DS-](#)
[HU](#) [98891-1012](#) [98947-1016](#) [12004147](#) [12004475-L](#) [12010290](#) [12010309-B](#) [12015454](#) [12020219-B](#) [12020308](#) [12041318-B](#) [12052225-L](#)
[12052466](#) [12059125](#) [12064869](#) [12004327-B](#) [12010503-B](#) [12015308](#) [12015384](#) [12015909](#) [1-21030-1](#) [12041254](#) [12041318](#) [12047946-B](#)
[12047957](#) [12047957-L](#) [12059473](#) [12066261](#)