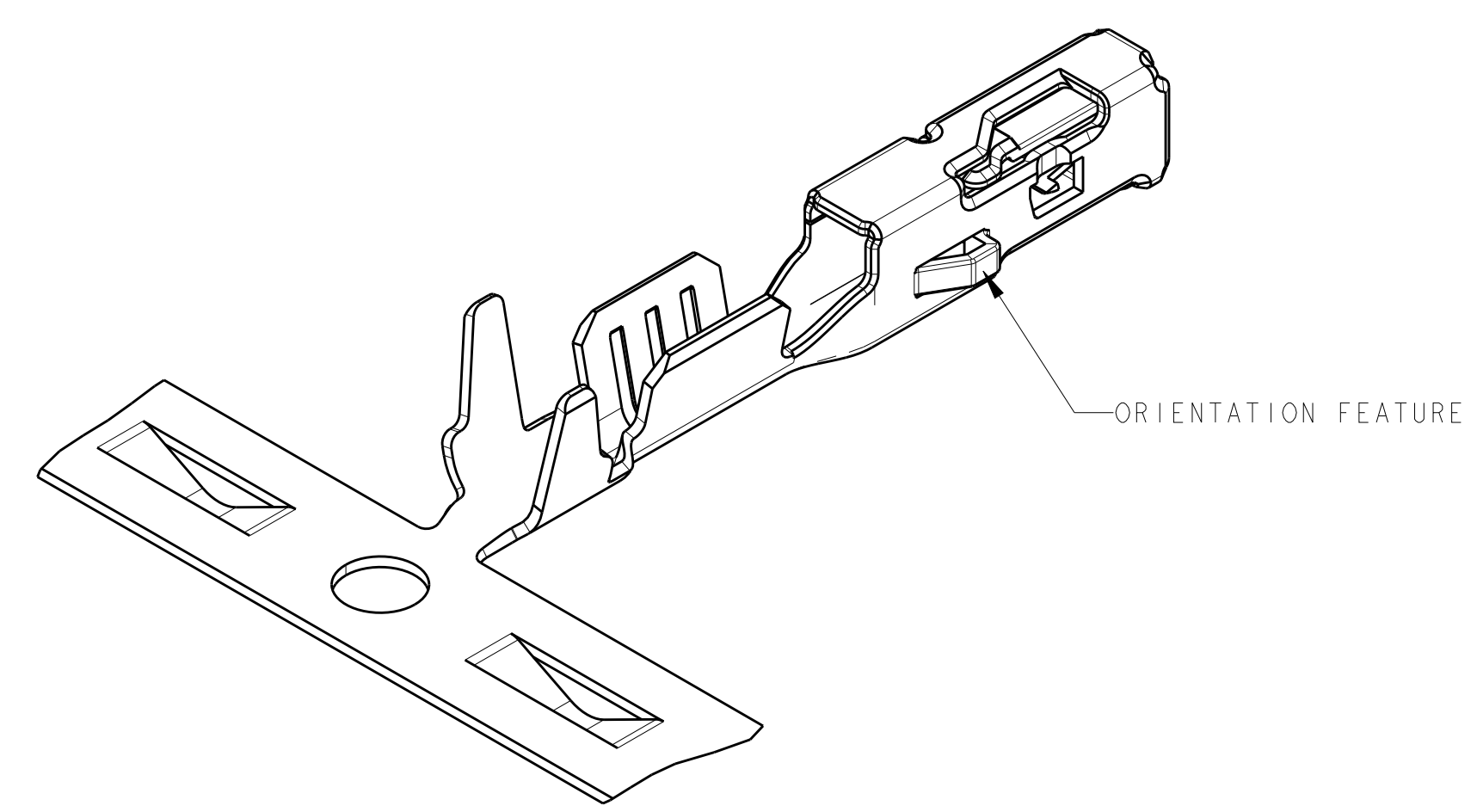
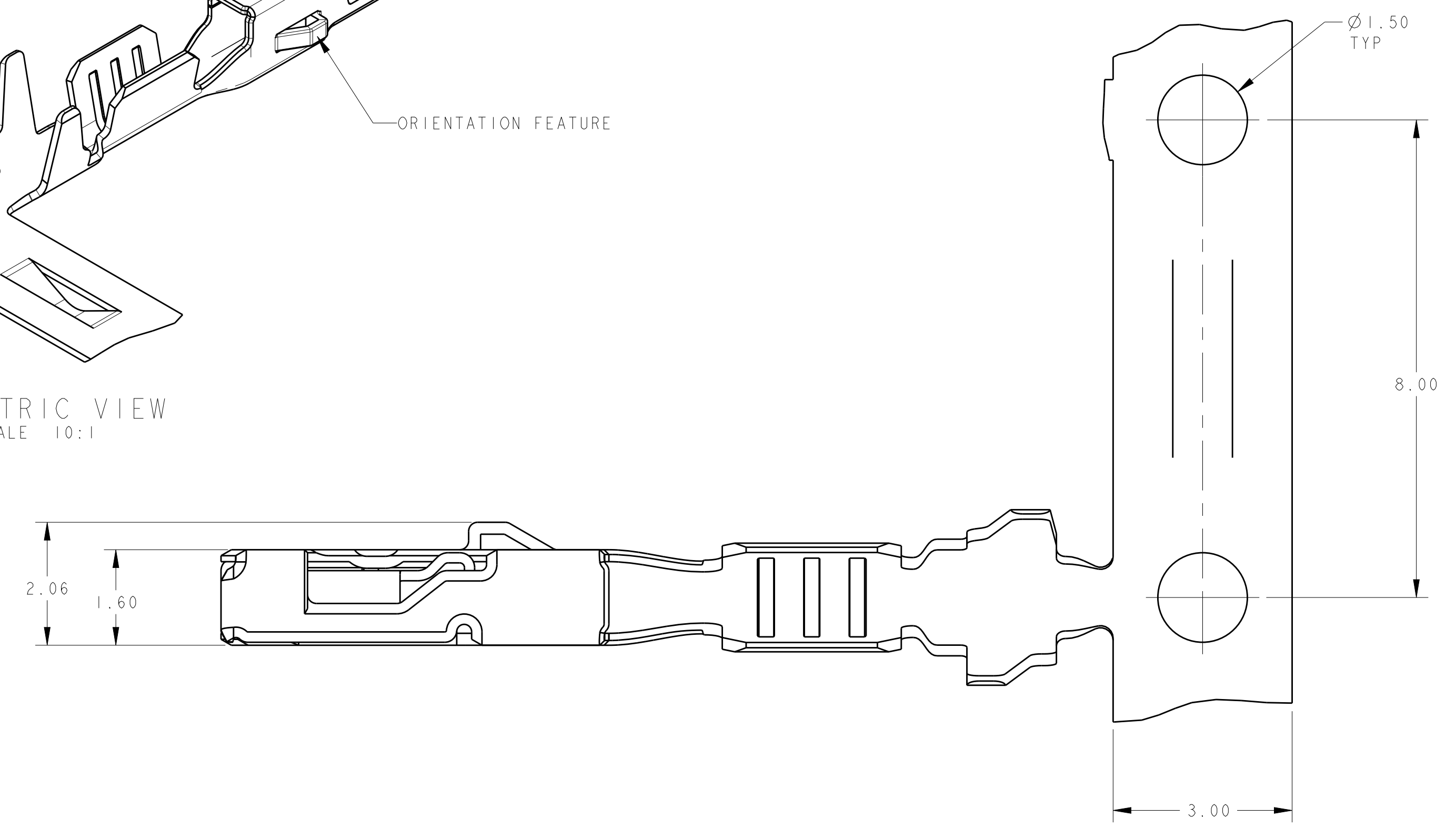


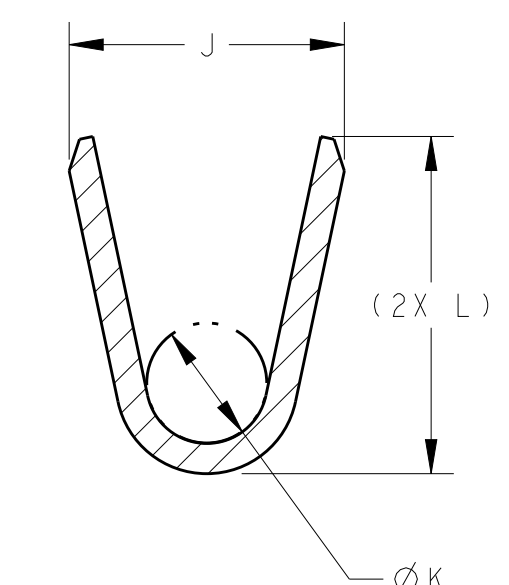
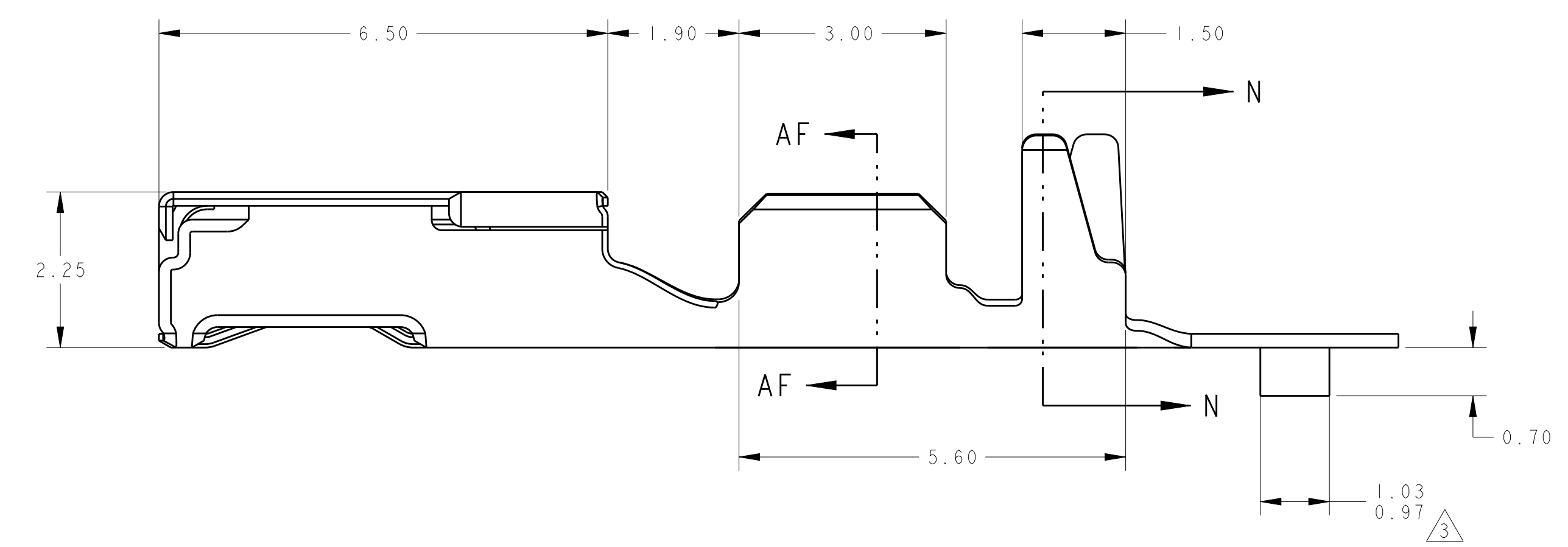
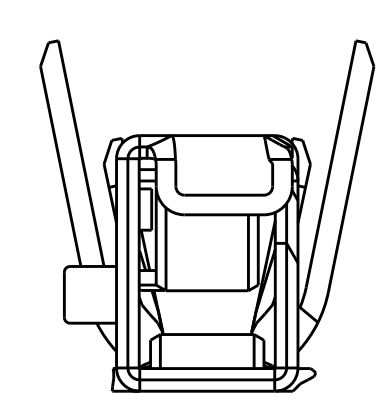
REVISIONS				
P.	LTN.	DESCRIPTION	DATE	APVD.
C		REVISED PER ECR-16-007232	18MAY2016	DLD CJS



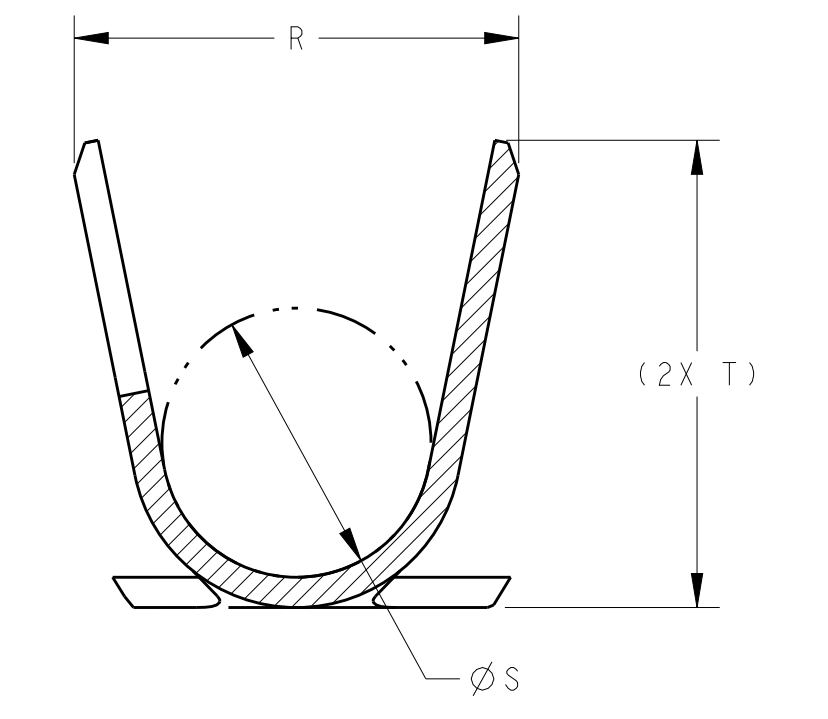
ISOMETRIC VIEW
SCALE 10:1



- △ MATERIAL: 0.2mm THICK CuNiSi ALLOY
- △ FINISH: PRE-PLATED WITH 1.00µm MIN BRIGHT TIN
- △ MATERIAL ID FEATURE IN "DOWN" POSITION
- 4. THIS PRODUCT TO BE VALIDATED TO GMW3191, TEMP CLASS T3 AND VIBRATION CLASS VI
- 5. THIS PRODUCT IS DESIGNED TO BE COMPATIBLE WITH SEALED APPLICATIONS
- 6. NOTE DELETED
- 7. NORMAL FORCE 240 GRAMS REFERENCE.
- 8. BULGE PERMISSIBLE UNDER ORIENTATION FEATURE.
- 9. TERMINAL HAS NYE LUBRICANTS NYETACT 568J-50-UV PERFORMANCE LUBE/GREASE APPLIED. THIS IS A WHITISH COLORED LUBE. AMOUNT AND VISIBILITY MAY VARY.
- △10 NOT INTENDED FOR SEALED APPLICATIONS.
- △11 SEALING CAPABILITY MUST BE EVALUATED ON AN APPLICATION BASIS.



SECTION AF-AF
SCALE 20:1



SECTION N-N
SCALE 20:1

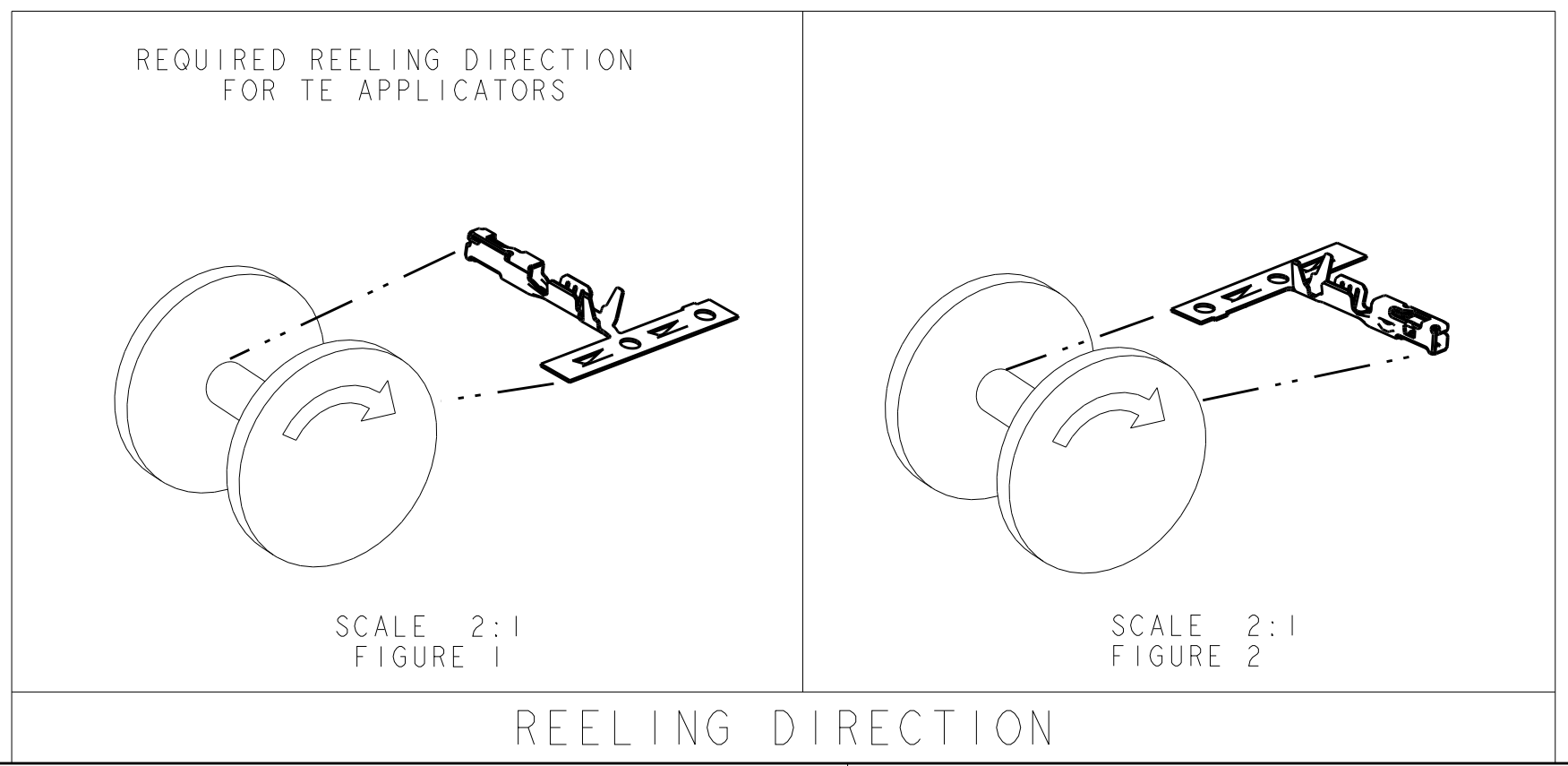


FIGURE	INSULATION DIAMETER	T	S	R	L	K	J	FINISH	mm ²	AWG	PART NUMBER
FIGURE 2	1.10-1.40	2.38	1.40	2.40	1.70	0.80	1.85	△2	0.35	22	2035170-8 △11
FIGURE 2	0.85-1.05	2.09	0.85	1.82	1.46	0.65	1.50	△2	0.13	26	2035170-7 △10
FIGURE 2	2.06 MAX	3.09	1.78	2.94	2.43	1.00	1.96	△2	0.75	18	2035170-6
FIGURE 2	1.50-1.85	3.09	1.78	2.94	2.23	0.80	1.82	△2	0.35-0.50	20-22	2035170-5
FIGURE 1	1.10-1.40	2.38	1.40	2.40	1.70	0.80	1.85	△2	0.35	22	2035170-4 △11
FIGURE 1	0.85-1.05	2.09	0.85	1.82	1.46	0.65	1.50	△2	0.13	26	2035170-3 △10
FIGURE 1	2.06 MAX	3.09	1.78	2.94	2.43	1.00	1.96	△2	0.75	18	2035170-2
FIGURE 1	1.50-1.85	3.09	1.78	2.94	2.23	0.80	1.82	△2	0.35-0.50	20-22	2035170-1
REELING DIRECTION	INSULATION DIAMETER	DIMENSION						FINISH	mm ²	AWG	PART NUMBER

THIS DRAWING IS A CONTROLLED DOCUMENT.

CHK: H. MOLL 12MAR2008
 CHK: F. KINSEY 12MAR2008
 APVD: C. SCHMID 27AUG2009

DIMENSIONS: mm
 TOLERANCES UNLESS OTHERWISE SPECIFIED:
 0 PLC ±
 1 PLC ±0.15
 2 PLC ±
 3 PLC ±
 4 PLC ±
 ANGLES ±

MATERIAL: △
 FINISH: △

TE Connectivity
 CONTACT, FEMALE, 0.64mm, CuNiSi, SIDE ORIENTATION, Sn PLATE

SIZE: 114-13183
 WEIGHT: 0.23g
 CUSTOMER DRAWING

SCALE 15:1 SHEET 1 OF 1 REV C

X-ON Electronics

Largest Supplier of Electrical and Electronic Components

Click to view similar products for [Automotive Connectors](#) category:

Click to view products by [TE Connectivity](#) manufacturer:

Other Similar products are found below :

[003-018-000](#) [60403001](#) [60993906-B](#) [M902-2131](#) [M902-2161](#) [M902-2344](#) [72.330.1035.1](#) [73.353.4028.0](#) [F119300-B](#) [F166900](#) [F258300-B](#)
[F358300-B](#) [F407400](#) [F444110](#) [F487000](#) [F509500B-B](#) [827153-1](#) [8N1515-32-24P](#) [9-1326729-8](#) [925474-1](#) [928905-1](#) [964562-4](#) [968782-1](#)
[GT17SA-8DS-HU](#) [98891-1012](#) [98947-1016](#) [12004147](#) [12004475-L](#) [12010290](#) [12010309-B](#) [12015454](#) [12020219-B](#) [12041318-B](#) [12052225-](#)
[L](#) [12052466](#) [12064869](#) [12004327-B](#) [12015308](#) [12015384](#) [12015909](#) [1-21030-1](#) [12041254](#) [12041318](#) [12047946-B](#) [12047957](#) [12047957-L](#)
[12059473](#) [12066261](#) [12110546](#) [12110546-B](#)