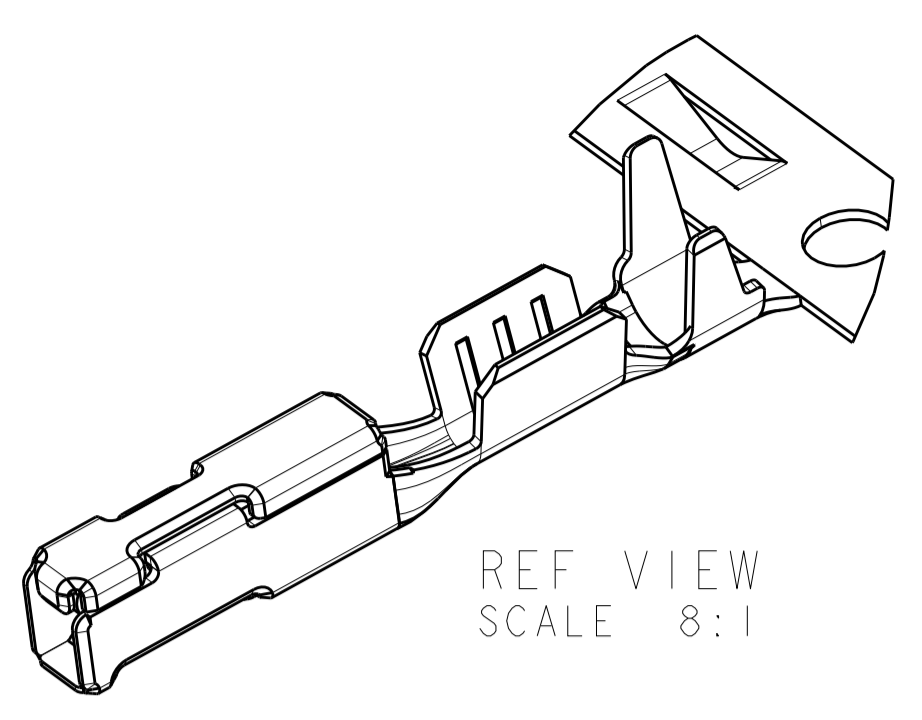
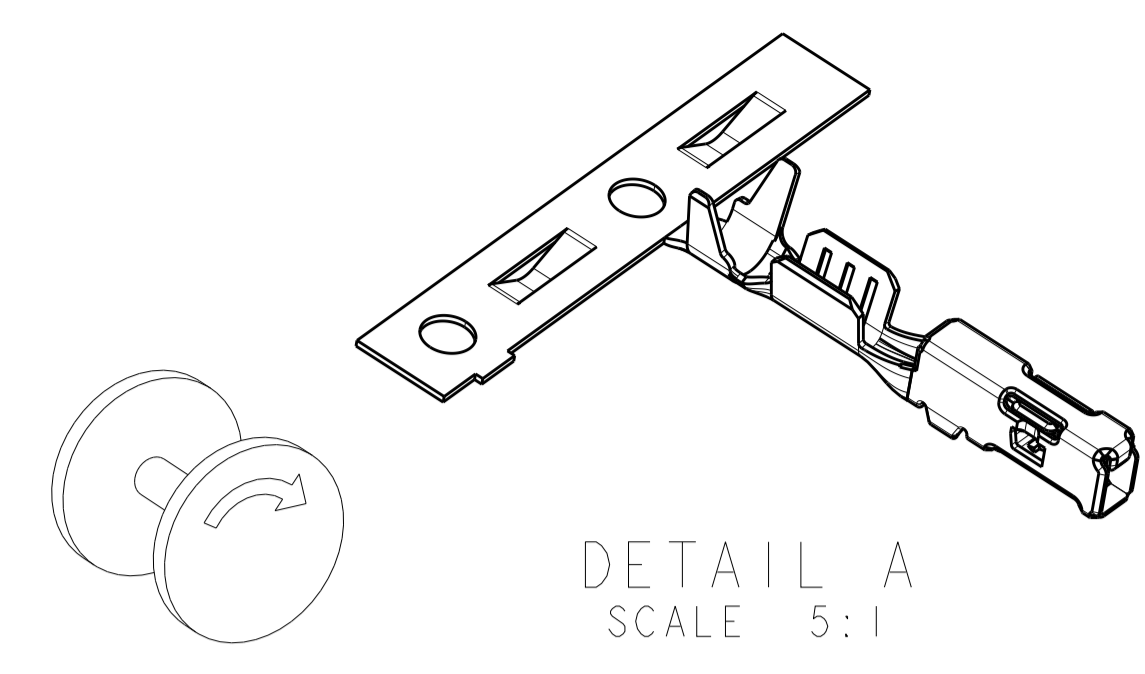
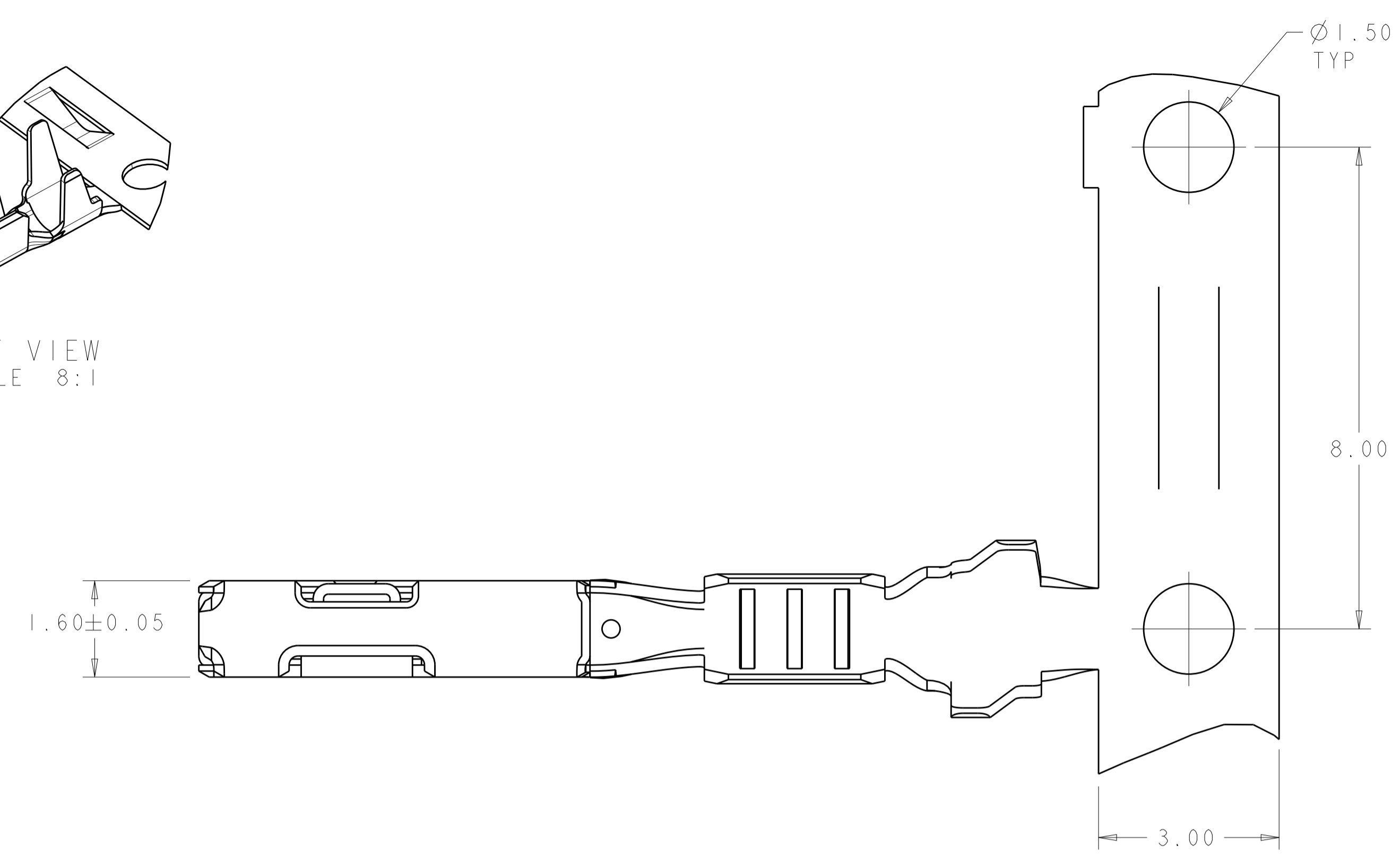


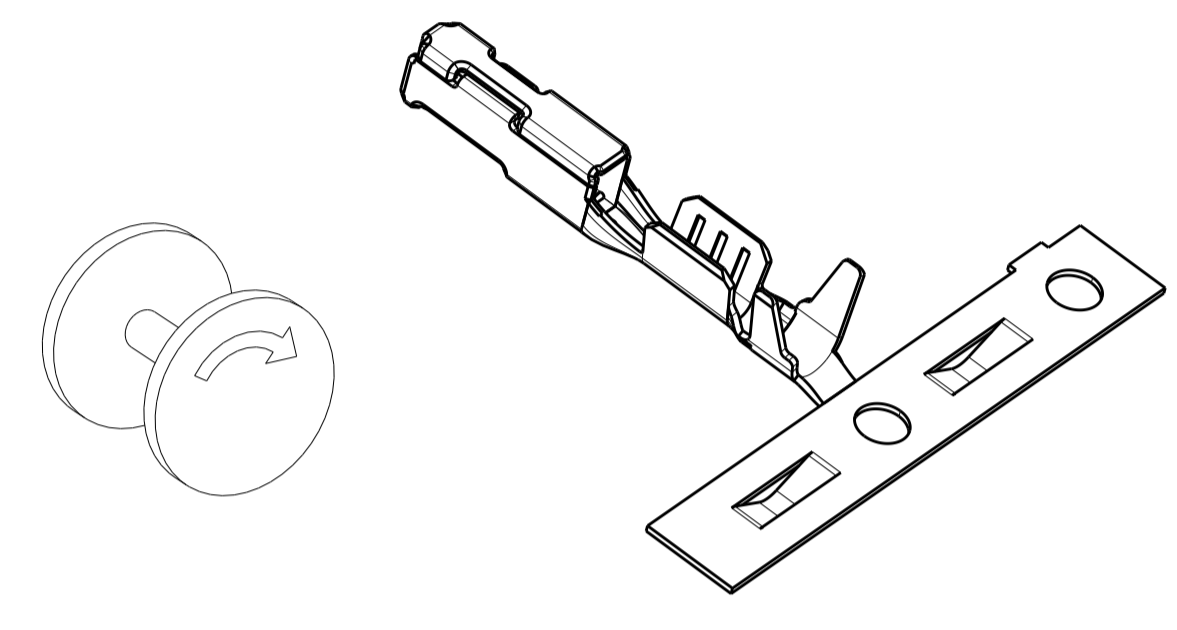
REVISIONS				
P.	LTN	DESCRIPTION	DATE	APVD
C		REVISED PER ECR-16-005516	25APR2016	DLD CJS



REF VIEW
SCALE 8:1

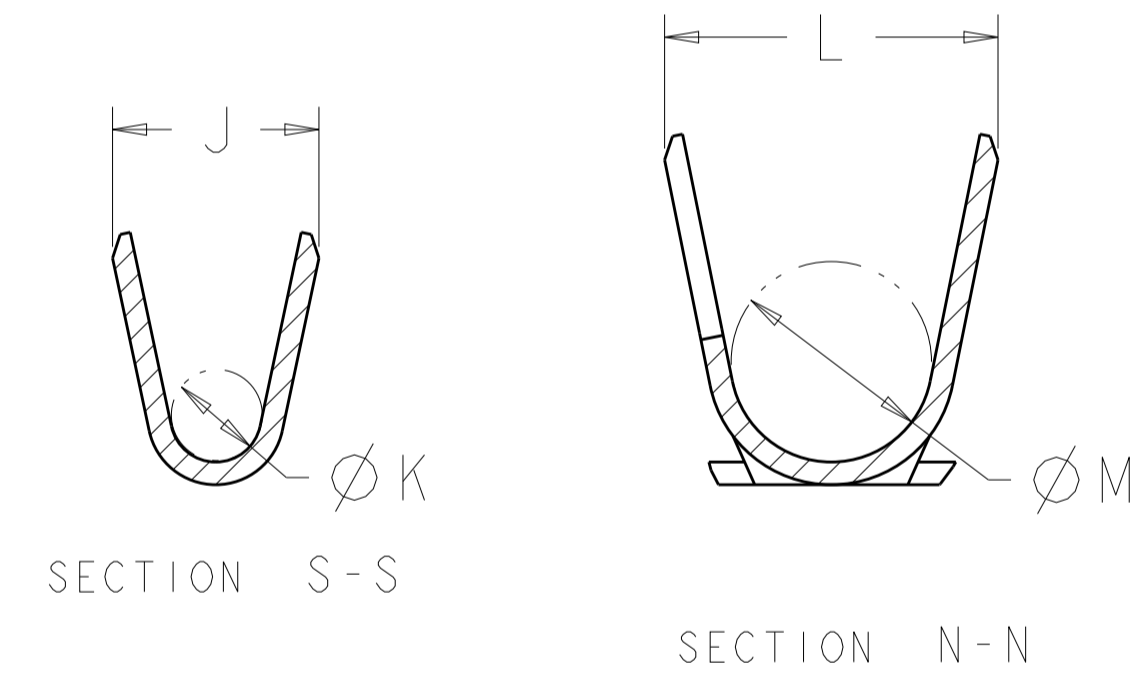
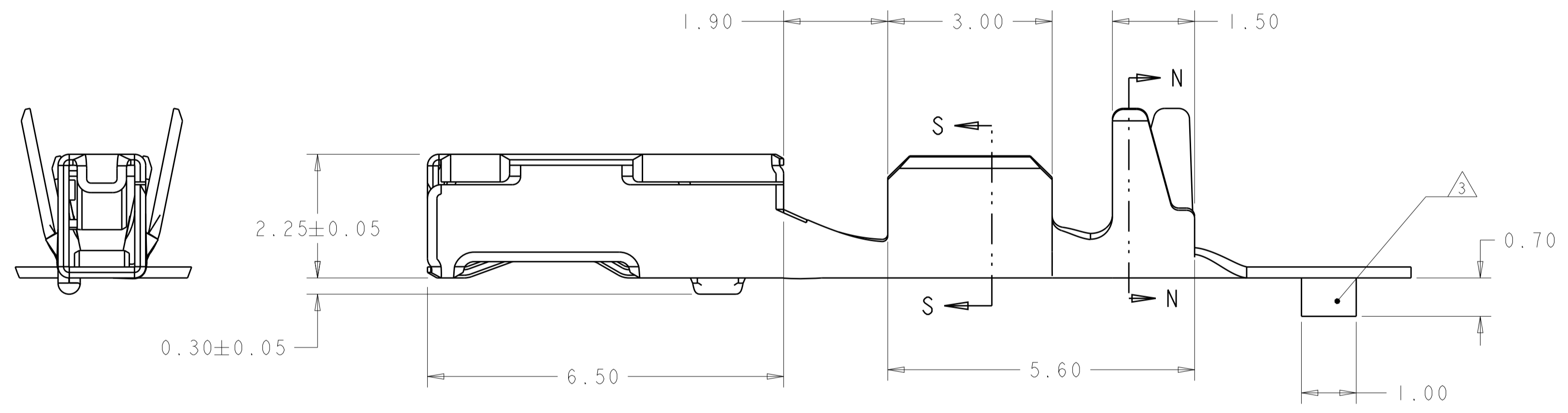


DETAIL A
SCALE 5:1



DETAIL B
REQUIRED REELING DIRECTION
FOR TE APPLICATORS
SCALE 5:1

- △ MATERIAL: COPPER ALLOY.
- △ FINISH: PRE-PLATED WITH 1.00µm MIN BRIGHT TIN.
- △ MATERIAL ID FEATURE IN "DOWN" POSITION.
- 4. THE INTENDED TEMPERATURE RANGE FOR THIS TERMINAL IS -40°C TO +100°C.
- 5. TERMINAL HAS NYE LUBRICANTS NYETACT 568J-50-UV PERFORMANCE LUBE/GREASE APPLIED. THIS IS A WHITISH COLORED LUBE. AMOUNT AND VISIBILITY MAY VARY.
- △ NOT FOR SEALED APPLICATIONS.
- △ SEALING CAPABILITY MUST BE VALIDATED ON AN APPLICATION BASIS.



0.13mm ² = 0.85-1.05	DETAIL B	1.40	2.40	0.80	1.85	△ 2 △ 3	2X 0.13mm ² △ 6	2035334-8
0.35mm ² = 1.10-1.40							0.35mm ² △ 7	
0.85-1.05	DETAIL B	0.85	1.82	0.65	1.50	△ 2 △ 3	26 [0.13mm ²]	2035334-7 △ 6
0.13mm ² = 0.85-1.05	DETAIL A	1.40	2.40	0.80	1.85	△ 2 △ 3	2X 0.13mm ² △ 6	2035334-6
0.35mm ² = 1.10-1.40							0.35mm ² △ 7	
0.85-1.05	DETAIL A	0.85	1.82	0.65	1.50	△ 2 △ 3	26 [0.13mm ²]	2035334-5 △ 6
2.06 MAX	DETAIL B	1.78	2.94	1.00	1.96	△ 2 △ 3	18 [0.75mm ²]	2035334-4
1.50-1.85	DETAIL B	1.78	2.94	0.80	1.82	△ 2 △ 3	20-22 [0.5-0.35mm ²]	2035334-3
2.06 MAX	DETAIL A	1.78	2.94	1.00	1.96	△ 2 △ 3	18 [0.75mm ²]	2035334-2
1.50-1.85	DETAIL A	1.78	2.94	0.80	1.82	△ 2 △ 3	20-22 [0.5-0.35mm ²]	2035334-1
INSULATION DIAMETER	REELING	M	L	K	J	FINISH	WIRE SIZE	PART NUMBER

THIS DRAWING IS A CONTROLLED DOCUMENT.

DWN: R. VESTAL 01JUL2008
 CHK: C. SCHMID 01JUL2008
 APVD: C. SCHMID 01JUL2008

DIMENSIONS: mm
 TOLERANCES UNLESS OTHERWISE SPECIFIED:
 0 PLC ±0.15
 2 PLC ±0.15
 3 PLC ±0.15
 4 PLC ±0.15
 ANGLES ±0.5°
 FINISH: -

MATERIAL: -
 FINISH: -

PRODUCT SPEC: 108-2296
 APPLICATION SPEC: 114-13183
 WEIGHT: -
 CUSTOMER DRAWING: -

STE TE Connectivity
 NAME: CONTACT, FEMALE, 0.64, GENERATION Y SEALED APPLICATIONS
 SIZE: A1
 CAGE CODE: 00779
 DRAWING NO: 2035334
 SCALE: 15:1
 SHEET: 1 OF 1
 REV: C

X-ON Electronics

Largest Supplier of Electrical and Electronic Components

Click to view similar products for [Automotive Connectors](#) category:

Click to view products by [TE Connectivity](#) manufacturer:

Other Similar products are found below :

[003-018-000](#) [60403001](#) [60993906-B](#) [M902-2131](#) [M902-2161](#) [M902-2344](#) [72.330.1035.1](#) [73.353.4028.0](#) [F119300-B](#) [F166900](#) [F258300-B](#)
[F358300-B](#) [F407400](#) [F444110](#) [F487000](#) [F509500B-B](#) [827153-1](#) [8N1515-32-24P](#) [9-1326729-8](#) [925474-1](#) [928905-1](#) [964562-4](#) [968782-1](#)
[GT17SA-8DS-HU](#) [98891-1012](#) [98947-1016](#) [12004147](#) [12004475-L](#) [12010290](#) [12010309-B](#) [12015454](#) [12020219-B](#) [12041318-B](#) [12052225-](#)
[L](#) [12052466](#) [12064869](#) [12004327-B](#) [12015308](#) [12015384](#) [12015909](#) [1-21030-1](#) [12041254](#) [12041318](#) [12047946-B](#) [12047957](#) [12047957-L](#)
[12059473](#) [12066261](#) [12110546](#) [12110546-B](#)