

THIS DRAWING IS UNPUBLISHED.

RELEASED FOR PUBLICATION

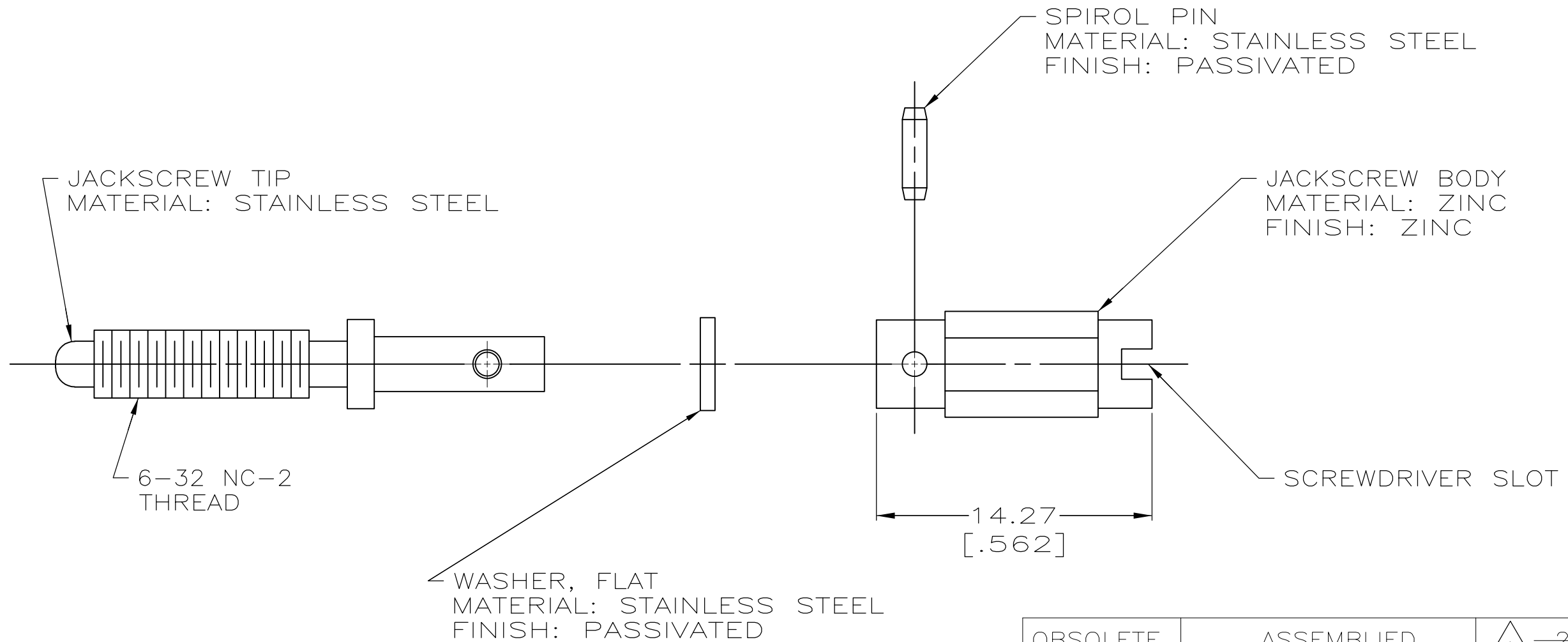
ALL RIGHTS RESERVED.

© COPYRIGHT - By -

REVISIONS

P	LTR	DESCRIPTION	DATE	DWN	APVD
G1		REVISED PER ECO-16-004000	08OCT2016	NK	MZ

△ 1 PRELIMINARY PART NUMBER



OBSOLETE	ASSEMBLED	△ 1-203535-3
	BULK	203535-2
	PACKAGING TYPE	PART NUMBER

THIS DRAWING IS A CONTROLLED DOCUMENT.		DWN C.DORWART 25 SEP 95	<b>STE</b> TE Connectivity														
DIMENSIONS: mm [INCHES]		CHK R.STONE 28 SEP 95															
TOLERANCES UNLESS OTHERWISE SPECIFIED:		APVD G.STEINHAUER 04 OCT 95	NAME														
<table border="0"> <tr><td>0 PLC</td><td>± -</td></tr> <tr><td>1 PLC</td><td>± -</td></tr> <tr><td>2 PLC</td><td>± 0.38 [.015]</td></tr> <tr><td>3 PLC</td><td>± -</td></tr> <tr><td>4 PLC</td><td>± -</td></tr> <tr><td>ANGLES</td><td>± -</td></tr> </table>		0 PLC	± -	1 PLC	± -	2 PLC	± 0.38 [.015]	3 PLC	± -	4 PLC	± -	ANGLES	± -	PRODUCT SPEC	MALE JACKSCREW ASSY FOR GROUNDING CONNECTOR SHORT-SHORT, UNASSEMBLED, M SERIES		
0 PLC	± -																
1 PLC	± -																
2 PLC	± 0.38 [.015]																
3 PLC	± -																
4 PLC	± -																
ANGLES	± -																
MATERIAL SEE CALLOUTS		FINISH SEE CALLOUTS	APPLICATION SPEC	SIZE	RESTRICTED TO												
			WEIGHT	CAGE CODE	DRAWING NO												
				A3 00779	G-203535												
CUSTOMER DRAWING			SCALE	SHEET	REV												
			4:1	1 OF 1	G1												

## X-ON Electronics

Largest Supplier of Electrical and Electronic Components

*Click to view similar products for [Rack & Panel Connectors](#) category:*

*Click to view products by [TE Connectivity](#) manufacturer:*

Other Similar products are found below :

[00171410002](#) [00171420202](#) [00171440002](#) [02-014-013-5200-000](#) [613467-000](#) [CTJ112E01E-513](#) [CTJ116E03A-513](#) [66020-2](#) [CW8958-000](#)  
[699886-000](#) [D250-50632](#) [70.400.3240.0](#) [70.955.2453.3](#) [733753-000](#) [F22831-000](#) [780-522-DPX34RG8-02](#) [8660-501](#) [87.060.0053.0](#)  
[900709N001](#) [928358-1](#) [D-659-0061](#) [1-445717-6](#) [1484469-2](#) [1604997-2](#) [MTC100-BF1-P31CS015](#) [MTC100-KT2-0083](#) [MTC100-KT2-0123-](#)  
[003](#) [MTC100-YA1-005](#) [MTCQKT1R2PGCA](#) [MTCR-103-04S](#) [MTCX1X-100-100CS025](#) [1738331-1](#) [1757667-1](#) [1811481-1](#) [1883433-1](#)  
[201046-7](#) [202648-4](#) [213364-1](#) [226503-000](#) [937028-164](#) [1663130-2](#) [172305-4](#) [AC-660022-701BP](#) [F36711-000](#) [202355-2](#) [202356-2](#) [G16S-A](#)  
[G20S-AB](#) [CHA-0017-003](#) [CHA-0296](#)