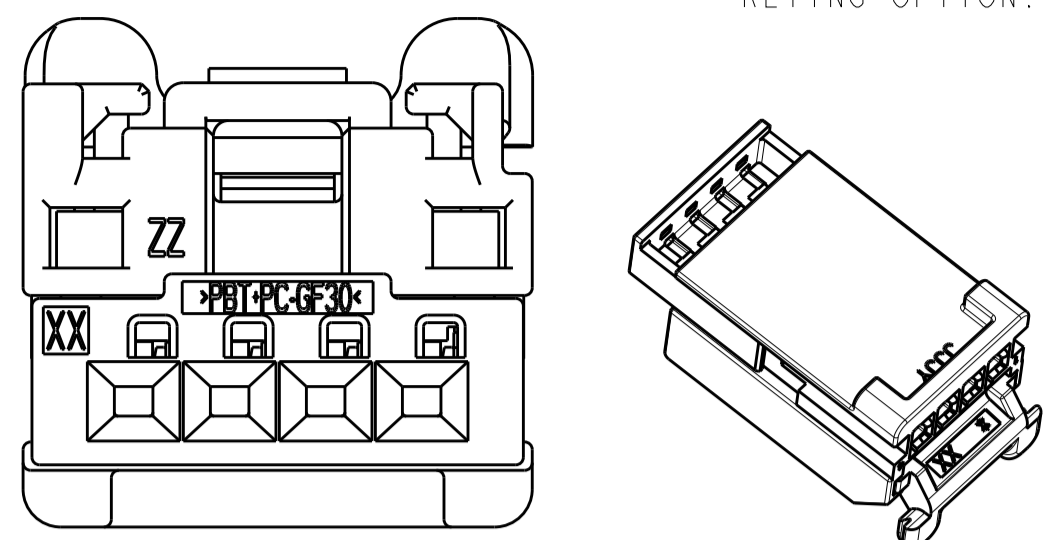


REVISIONS				
REV	LTN	DESCRIPTION	DATE	APP'D
A1		REVISED PER ECO-12-013011	16 JUL 2012	DLD DCM
A2		REVISED PER ECO-15-011565	21 AUG 2015	DLD DCM
A3		REVISED PER ECO-17-009179	23 JUN 2017	DLD DCM
A4		REVISED PER ECO-19-000631	29 JAN 2019	JMS CM

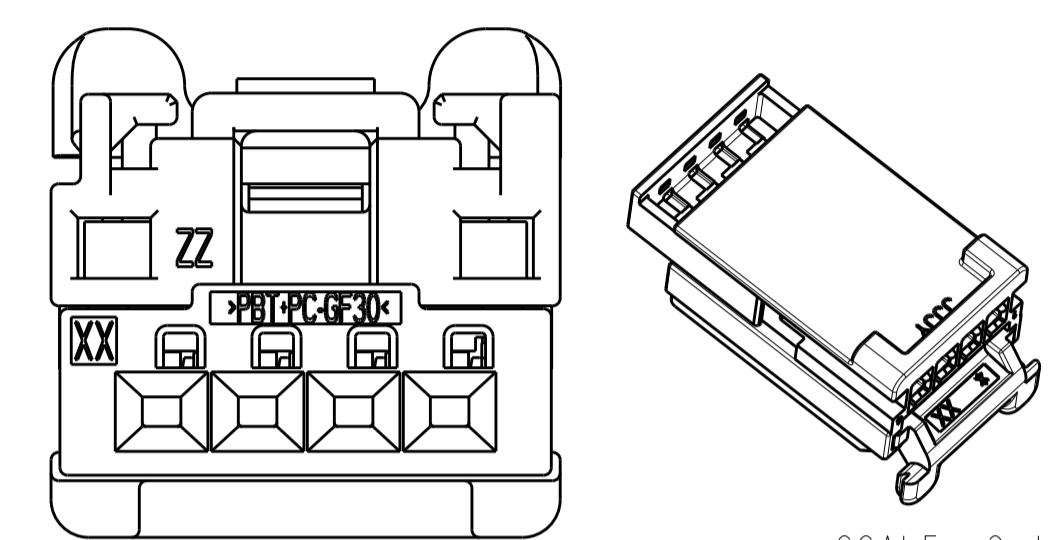
KEYING OPTIONS (SHOWN WITH CPA)

KEYING OPTION: A



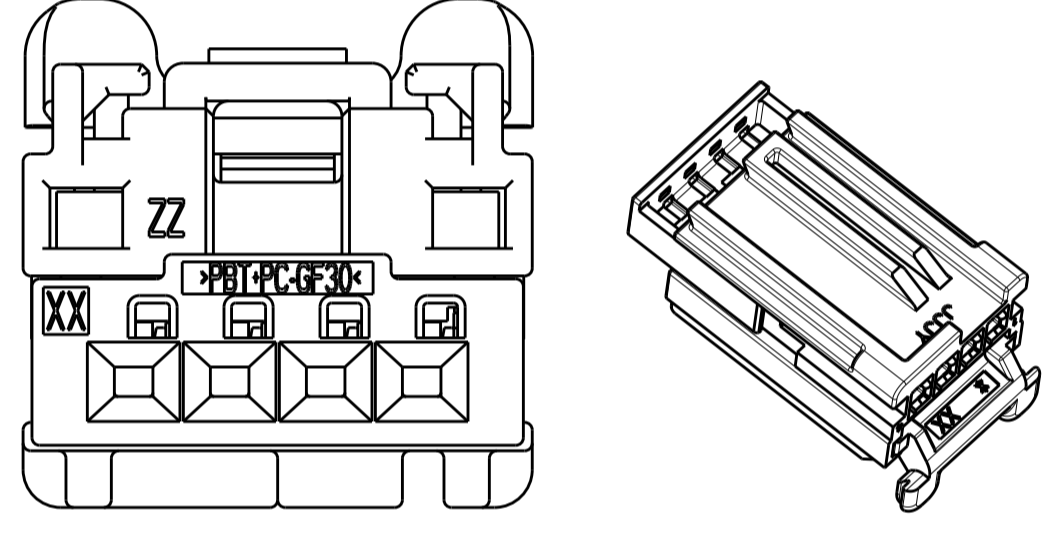
SCALE 2:1

KEYING OPTION: B



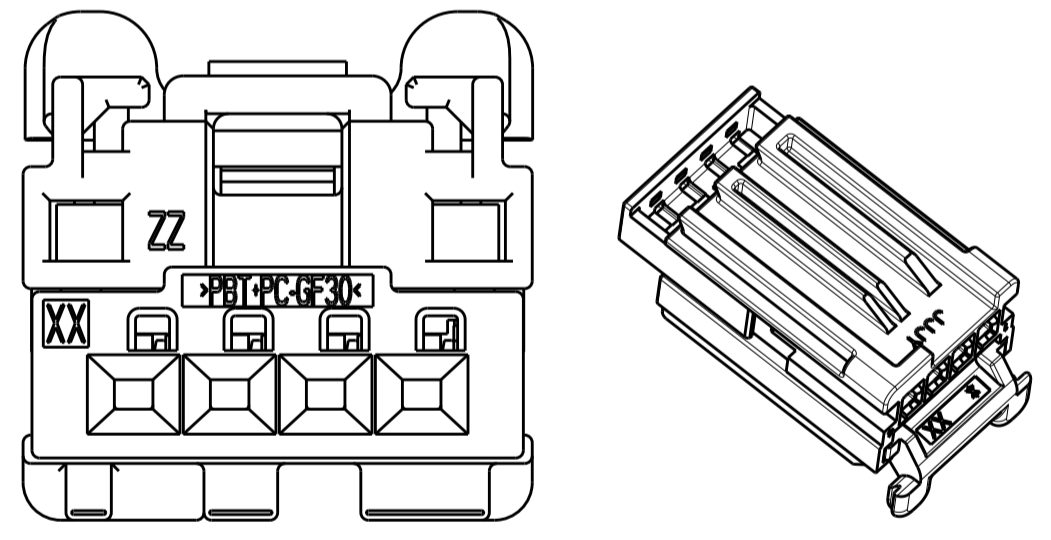
SCALE 2:1

KEYING OPTION: C

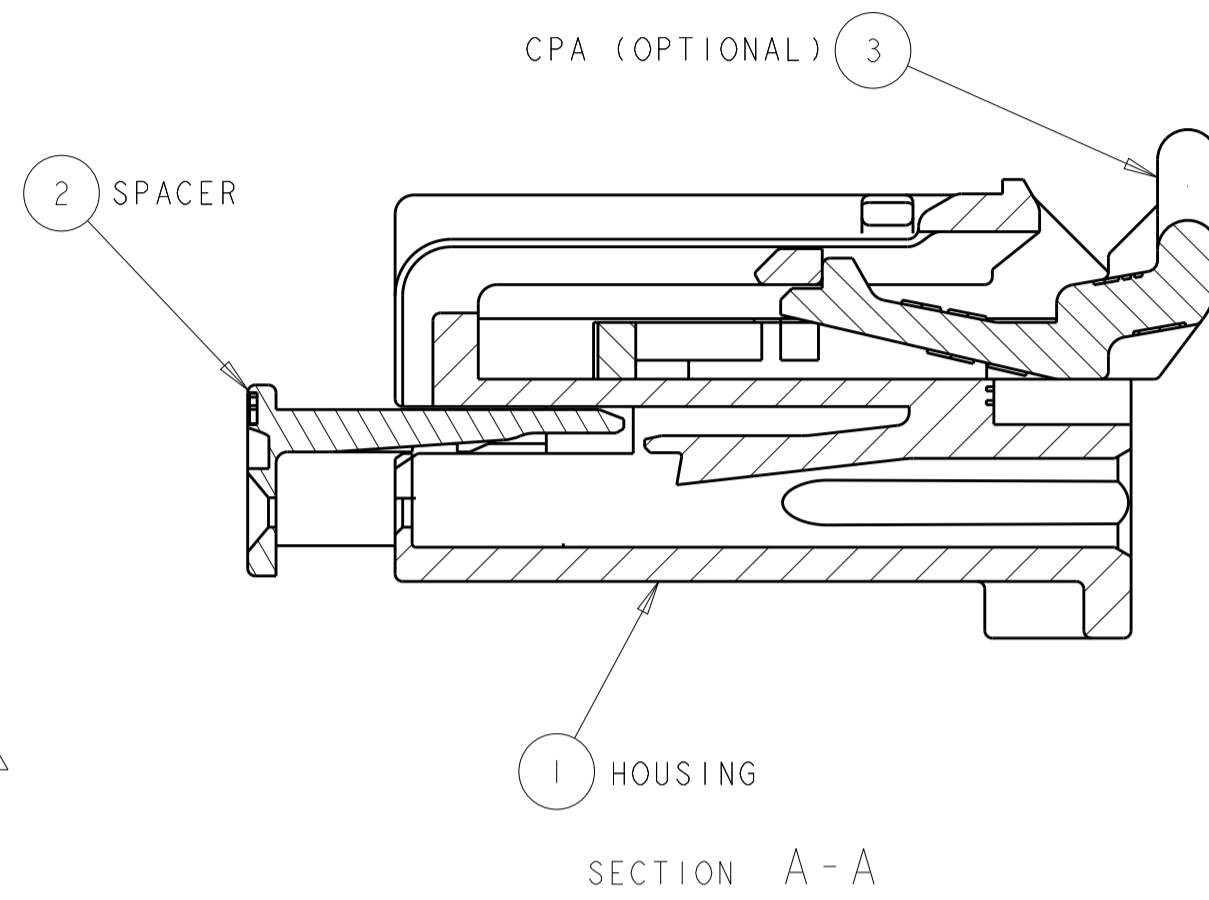
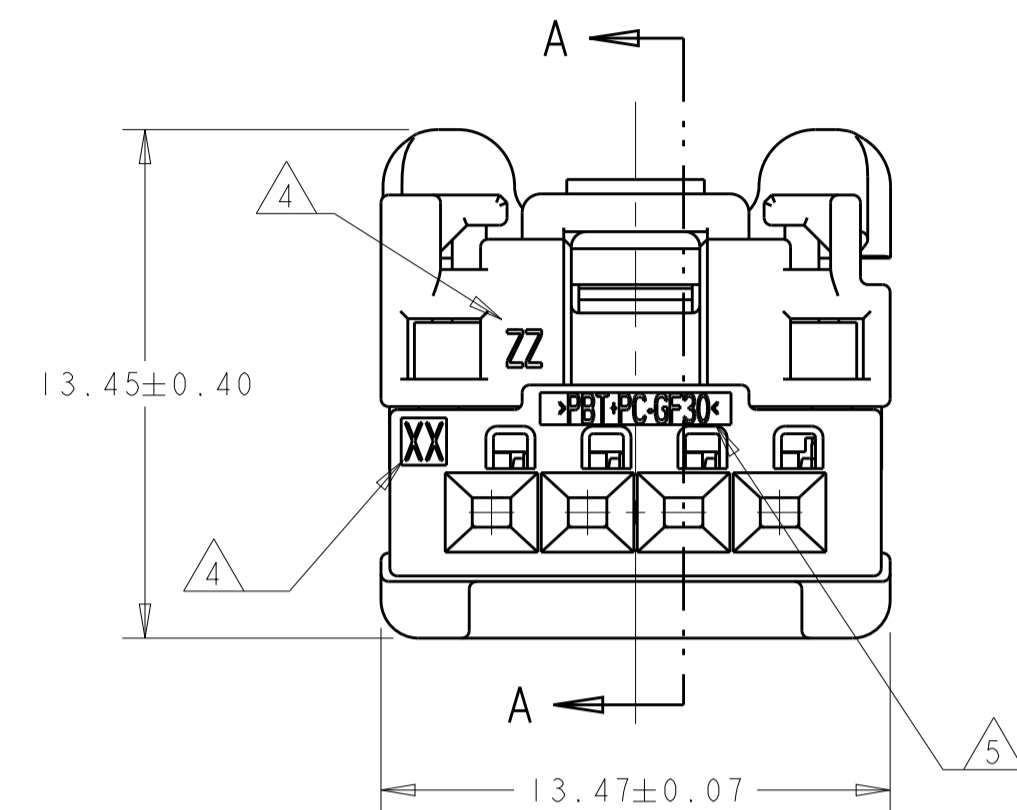
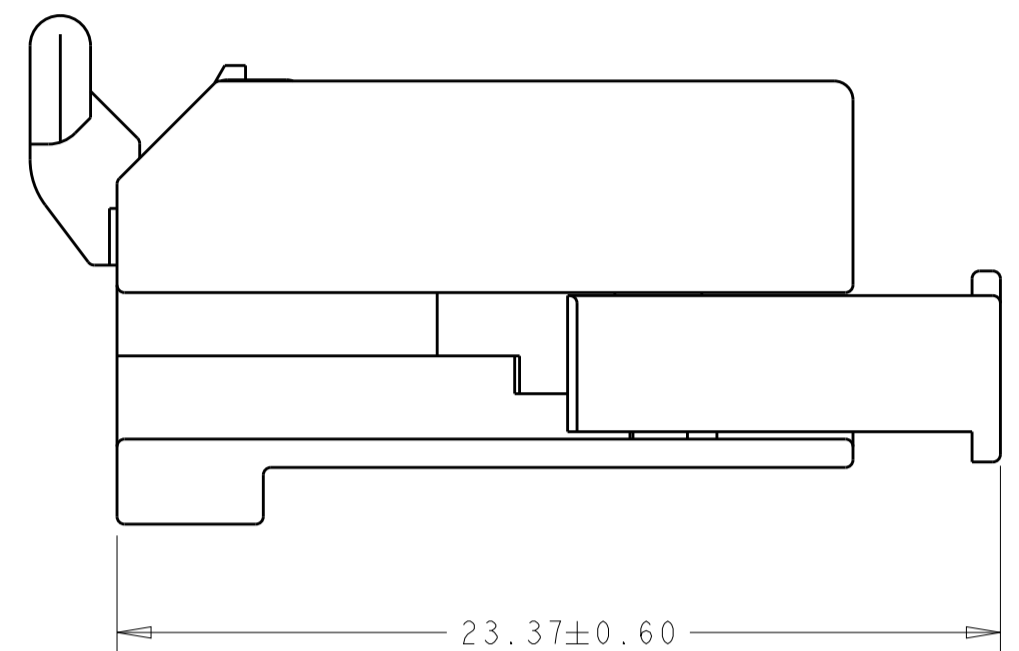


SCALE 2:1

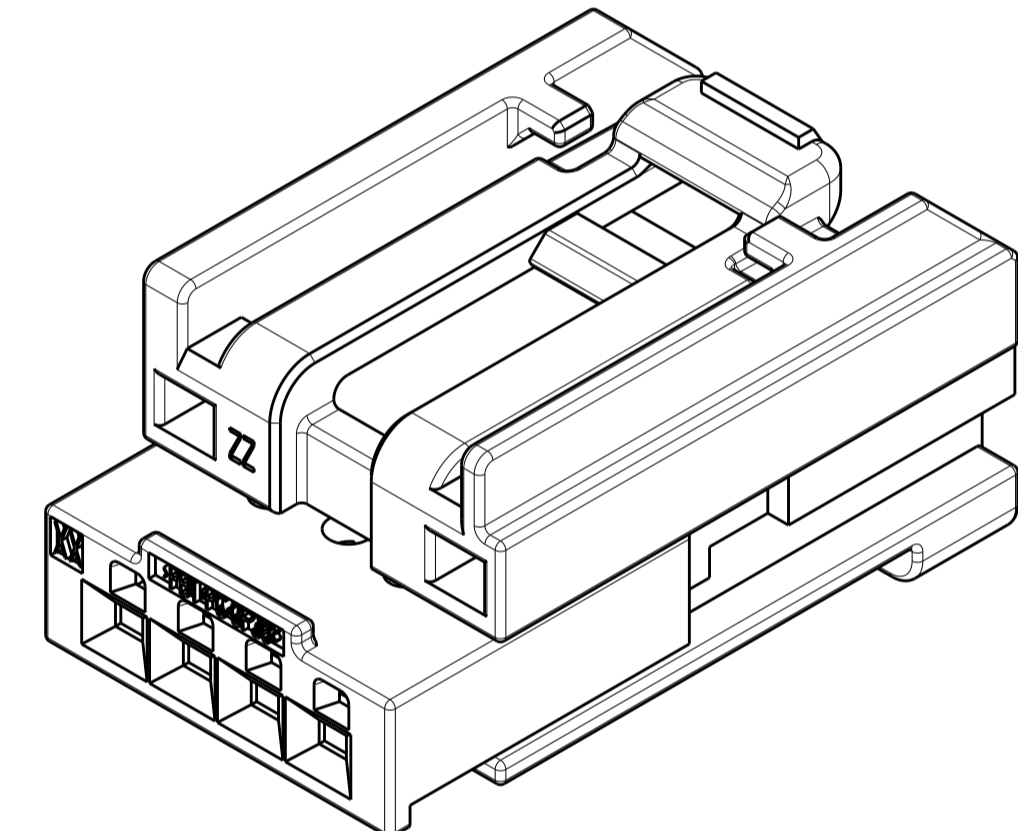
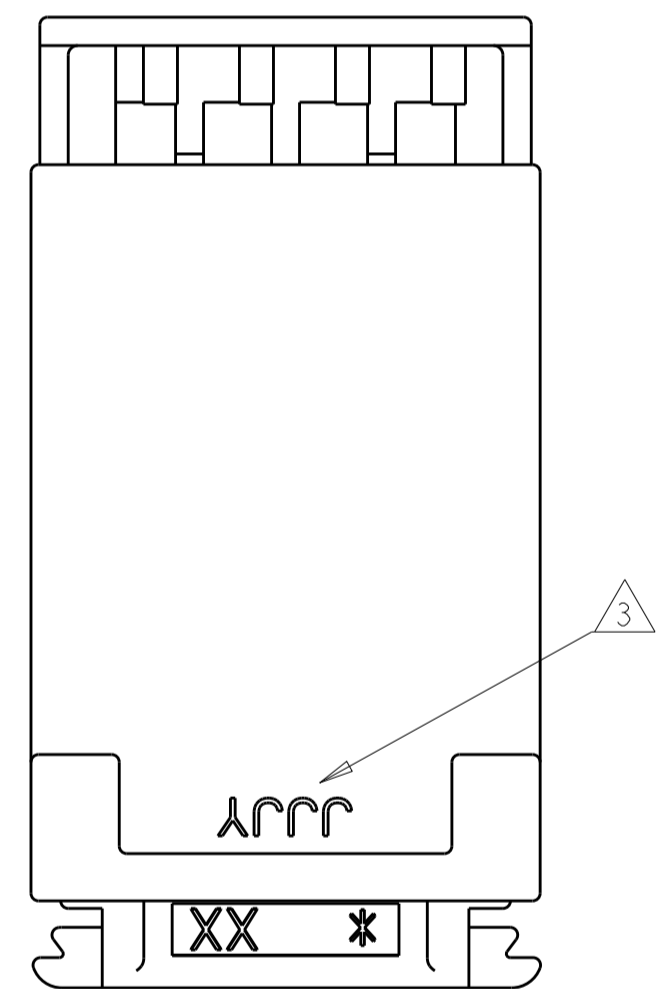
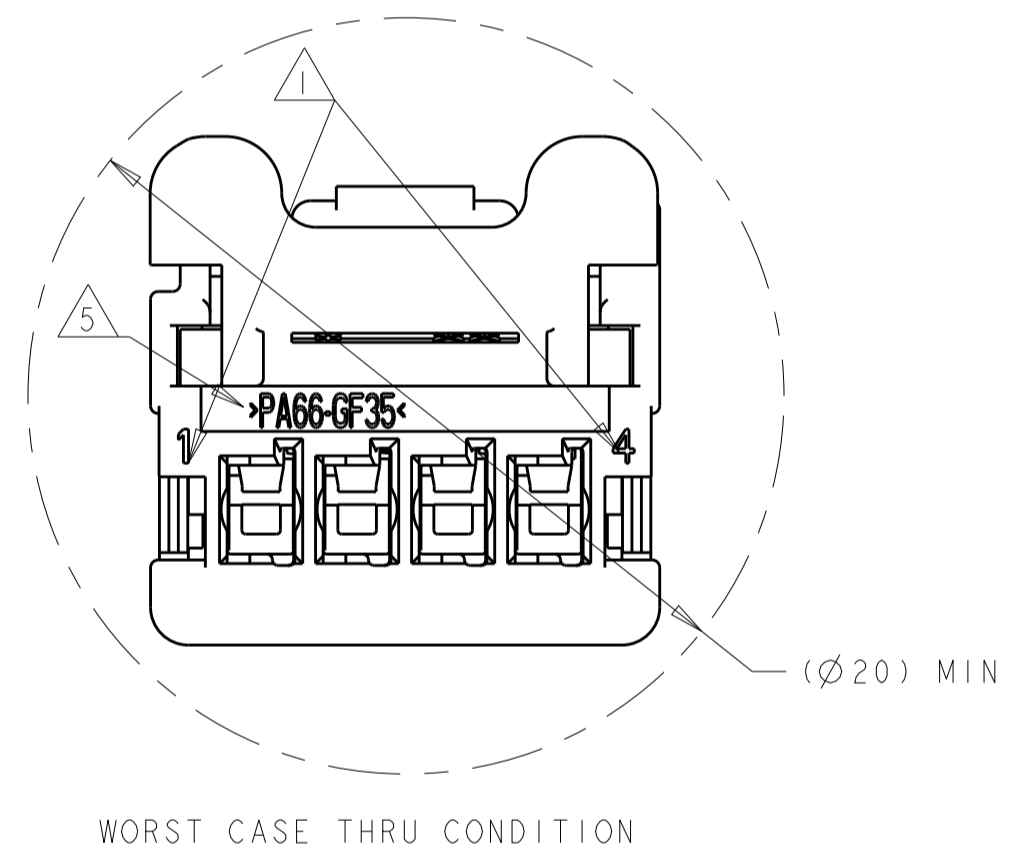
KEYING OPTION: D



SCALE 2:1



- 1. CIRCUIT IDENTIFICATION NUMBERS LOCATED AS SHOWN.
- 2. SPACER AND CPA (OPTIONAL) ARE SHIPPED IN PRE-ASSEMBLED POSITION.
- 3. DATE CODE; FORMAT: JJJ = JULIAN DAY; Y = YEAR (4TH DIGIT).
- 4. MOLD CAVITY IDENTIFICATION.
- 5. MATERIAL IDENTIFICATION.
- 6. PACKING: CONNECTOR ASSEMBLIES BULK PACKAGED IN CARDBOARD BOX.
- 7. REFERENCE TE INSTRUCTION SHEET 408-32052.



PARTS LIST										
QTY REQ'D PER ASSY										
REVISION OF EACH ASSY NO (WHEN BLANK, USE DWG REVISION)										
WEIGHT OF EACH ASSY NO (g)										
1-2035360-0	2035360-9	2035360-8	2035360-7	2035360-6	2035360-5	2035360-4	2035360-3	2035360-2	2035360-1	<----- ASSEMBLY PN
1	-	1	-	1	-	1	-	1	-	CPA
1	1	1	1	1	1	1	1	1	1	SPACER
1	1	-	-	-	-	-	-	-	-	HOUSING; KEY B
-	-	1	1	-	-	-	-	-	-	HOUSING; KEY D
-	-	-	-	1	1	-	-	-	-	HOUSING; KEY C
-	-	-	-	-	-	1	1	-	-	HOUSING; KEY B
-	-	-	-	-	-	-	-	1	1	HOUSING; KEY A
										DESCRIPTION
										MATERIAL
										COLOR
										ITEM NO

THIS DRAWING IS A CONTROLLED DOCUMENT. DWG: D. DRUMMOND, 20APR2012. CHK: C. MARTIN, 20APR2012. APVD: C. MARTIN, 20APR2012.

DIMENSIONS: mm. TOLERANCES UNLESS OTHERWISE SPECIFIED: 0 PLC ±, 1 PLC ±, 2 PLC ±, 3 PLC ±, 4 PLC ±, ANGLES ±, MATERIAL SEE TABLE, FINISH.

STE TE Connectivity

NAME: FEMALE CONNECTOR ASSEMBLY, 4 POSITION (1X4), UNSEALED, GENERATION Y. SIZE: A100779. CAGE CODE: 2035360. SCALE: 5:1. SHEET 1 OF 1. REV: A4.

X-ON Electronics

Largest Supplier of Electrical and Electronic Components

Click to view similar products for [Automotive Connectors](#) category:

Click to view products by [TE Connectivity](#) manufacturer:

Other Similar products are found below :

[003-018-000](#) [60403001](#) [60993906-B](#) [M902-2131](#) [M902-2161](#) [M902-2344](#) [72.330.1035.1](#) [73.353.4028.0](#) [F119300-B](#) [F166900](#) [F258300-B](#)
[F358300-B](#) [F407400](#) [F444110](#) [F487000](#) [F509500B-B](#) [827153-1](#) [8N1515-32-24P](#) [9-1326729-8](#) [925474-1](#) [928905-1](#) [964562-4](#) [968782-1](#)
[GT17SA-8DS-HU](#) [98891-1012](#) [98947-1016](#) [12004147](#) [12004475-L](#) [12010290](#) [12015454](#) [12020219-B](#) [12041318-B](#) [12052225-L](#) [12052466](#)
[12064869](#) [12004327-B](#) [12015308](#) [12015384](#) [12015909](#) [1-21030-1](#) [12041254](#) [12041318](#) [12047946-B](#) [12047957](#) [12047957-L](#) [12059473](#)
[12066261](#) [12110546](#) [12110546-B](#) [12131792](#)